



优势

- 密封优化, 防护性能可达IP68.
- 可选传输信号、数据、电源, 应用不同领域.
- 带不同编码的连接器, 防止错插.
- 可选全方位屏蔽, 提供可靠的电磁保护.
- 可选接线方式, 适用于持续冲击、振动的应用环境.
- 适用于各种场合的连接技术.
- 可与市场同系列连接器互配.

Advantages

- Good sealing performance, with IP class up to IP 68.
- Used in the signal transmission, data transmission, power supply etc.
- With different coding, prevent error connection.
- Shield is optional, provide reliable electromagnetic protection.
- Wire connection method is optional, suitable for continuous shock and vibration environment.
- Connection technology is suitable for all application field.
- Compatible with same series connectors on the market.

特点

- 线缆材质: PUR, PVC.
- 防护等级: IP68, IP69k.
- 编码可选.
- 屏蔽可选.
- 接线方式可选.
- 符合IEC61076标准.

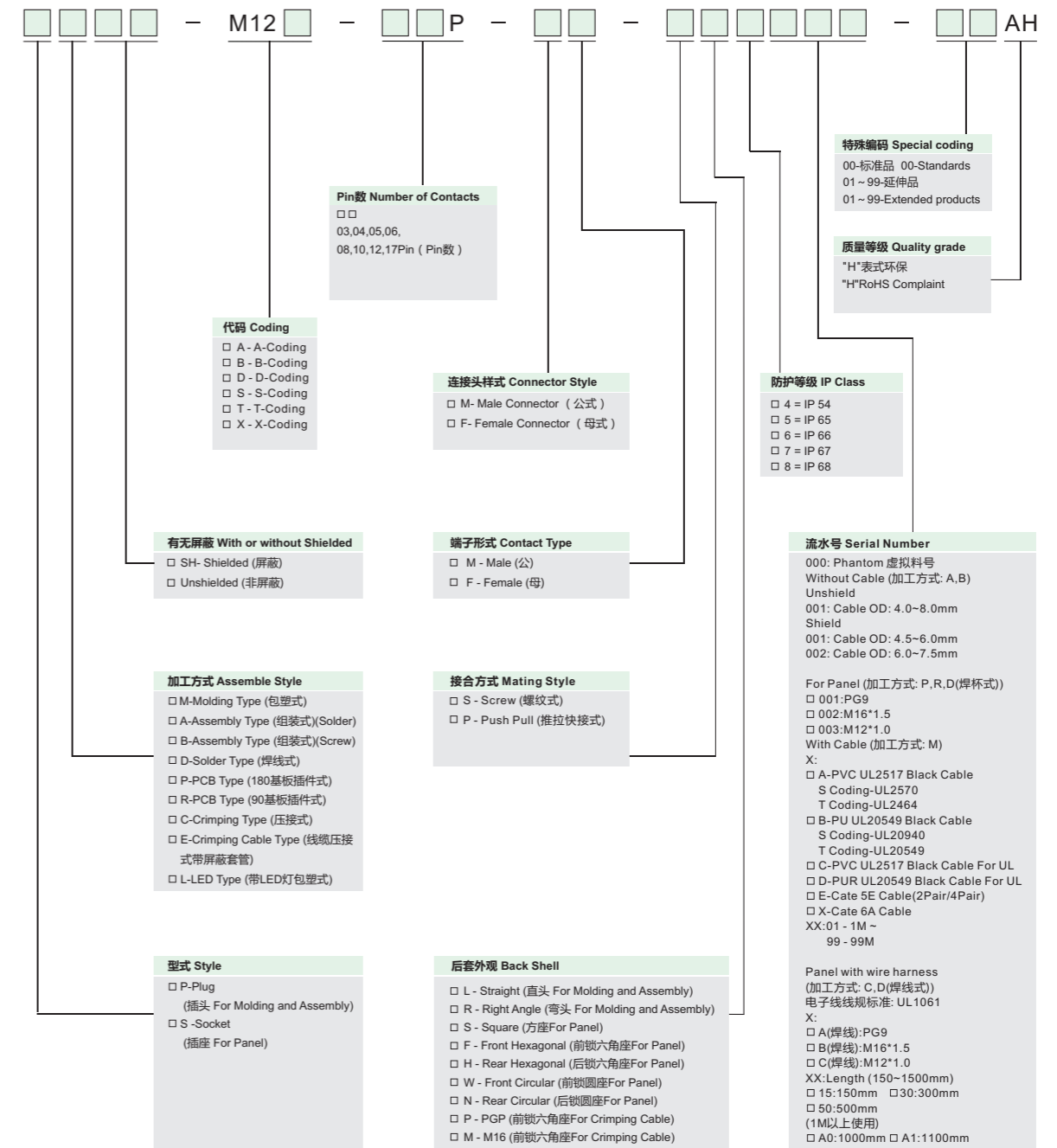
Features

- Cable material: PUR, PVC.
- IP-class: IP68, IP69K.
- Coding is optional.
- Shield is optional.
- Wire connection method is optional.
- Compliance with IEC 61076 standard.



圆形连接器编码规则 Circular Connectors Part Number

圆形连接器成品品名编码规则 Circular Connectors Part Number Reference



例如:

1.M12孔式插头5Pin: PM-M12A-05P-FF-SL8A01-00A(H)

表示: 线端包塑, M12A-Coding, 5Pin, 母座母Pin, 螺纹锁合, 直头, 防水等级IP68, PVC黑色外被UL2517线缆, 长度1.0M, 标准品.

2.去掉“-”、“小数点”、“()”、“空格”即为成品料号, 如: PMM12A05PFFSL8A0100AH

For example:

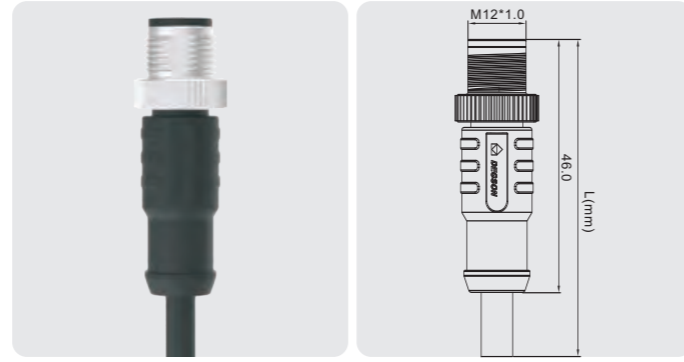
1. M12 female plug 5Pin: PM-M12A-05P-FF-SL8A01-00A(H)

Details: Plastic covered at the end of wire, M12A-Coding, 5Pin, female socket female Pin, thread locked, straight head, IP68, PVC black kacket. Covered by UL2517 wire, the length of 1.0M, standard products.

2. Delete “-”, “decimal point”, “()”, “space”, than it 's the finish product number, such as: PMM12A05PFFSL8A0100AH.

M12 x 1 针式成型电缆插头，单端，非屏蔽，直头。

M12 x 1 Male Overmolded with Cable Plug, Single end, Unshielded, Straight.



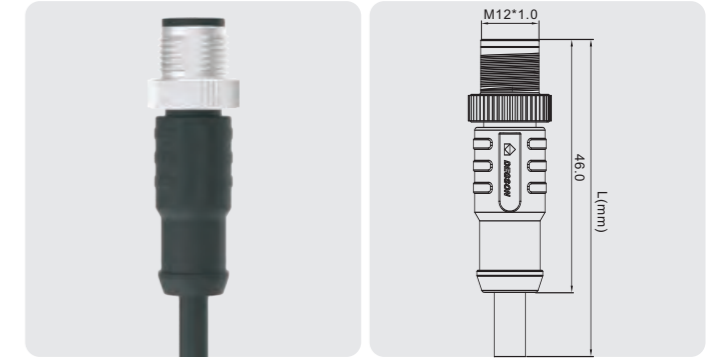
技术数据 Technical Data

| | | | |
|-------------------------------|-----------------------------|-------------------------------------|-------------------------------|
| 标准 Standard | IEC 61076 | 端子载体材料 Contact carriers material | PU / PA |
| 系列 Series | M12, Male, Straight | 端子材料 Contact material | Copper Alloy, Gold-plated |
| Pin针数量 Number of Pins | 03,04,05,06,08,10,12,17 Pin | 金属螺母 Metal of nut | Zinc Alloy with Nickel Plated |
| 额定电流 Rated Current | 4A max. | 胶圈 Seal | Silicone |
| 额定电压 Rated voltage | 250V max. | 电缆外皮材料 Cable jacket material | PUR / PVC |
| 绝缘电阻 Insulation resistance | ≥100MΩ | 屏蔽 Shielding | Unshielded |
| 接触电阻 Contact resistance | ≤5mΩ | 机械寿命 Mechanical life | > 100 mating cycles |
| 运行温度 Ambient temperature | - 25 ~ + 80°C | — | — |
| 防护等级 IP Class | IP68 | — | — |

| 针数 Number of Pins | | 03 Pin | 04 Pin | 05 Pin | 06 Pin | 08 Pin |
|-----------------------|----------------------|----------------------------|------------------------------|--------------------------------------|--|--|
| 编码 Coding | 编码 Coded | A-Coded | A-Coded | A-Coded | A-Coded | A-Coded |
| | 正面图 Front View | | | | | |
| 额定电流 Rated current | A. | 4A | 4A | 4A | 2A | 2A |
| 额定电压 Rated voltage | V. | 250V | 250V | 60V | 30V | 30V |
| 电线电缆 Wire/Cable | 线规 Wire gauge | 22AWG | 22AWG | 22AWG | 24AWG | 24AWG |
| | 横截面 Cross section | 0.34mm ² | 0.34mm ² | 0.34mm ² | 0.25mm ² | 0.25mm ² |
| | 接线表 Wiring list | 1.BN 3.BU 4.BK | 1.BN 2.WH 3.BU 4.BK | 1.BN 2.WH 3.GN 4.YE 5.GY | 1.WH 2.BN 3.GN 4.YE 6.PK 7.BU 7.BU | 1.WH 2.BN 3.GN 4.YE 5.GY 6.PK 7.BU 8.RD |
| 描述 Description | 订单号 Order NO. | 订单号 Order NO. | 订单号 Order NO. | 订单号 Order NO. | 订单号 Order NO. | 订单号 Order NO. |
| PVC | 1m | PM-M12A-03P-MM-SL8A01-00AH | PM-M12A-04P-MM-SL8A01-00AH | PM-M12A-05P-MM-SL8A01-00AH | PM-M12A-06P-MM-SL8A01-00AH | PM-M12A-08P-MM-SL8A01-00AH |
| | 3m | PM-M12A-03P-MM-SL8A03-00AH | PM-M12A-04P-MM-SL8A03-00AH | PM-M12A-05P-MM-SL8A03-00AH | PM-M12A-06P-MM-SL8A03-00AH | PM-M12A-08P-MM-SL8A03-00AH |
| | 5m | PM-M12A-03P-MM-SL8A05-00AH | PM-M12A-04P-MM-SL8A05-00AH | PM-M12A-05P-MM-SL8A05-00AH | PM-M12A-06P-MM-SL8A05-00AH | PM-M12A-08P-MM-SL8A05-00AH |
| | 定制化 Customized | | | | | |
| PUR | 1m | PM-M12A-03P-MM-SL8B01-00AH | PM-M12A-04P-MM-SL8B01-00AH | PM-M12A-05P-MM-SL8B01-00AH | PM-M12A-06P-MM-SL8B01-00AH | PM-M12A-08P-MM-SL8B01-00AH |
| | 3m | PM-M12A-03P-MM-SL8B03-00AH | PM-M12A-04P-MM-SL8B03-00AH | PM-M12A-05P-MM-SL8B03-00AH | PM-M12A-06P-MM-SL8B03-00AH | PM-M12A-08P-MM-SL8B03-00AH |
| | 5m | PM-M12A-03P-MM-SL8B05-00AH | PM-M12A-04P-MM-SL8B05-00AH | PM-M12A-05P-MM-SL8B05-00AH | PM-M12A-06P-MM-SL8B05-00AH | PM-M12A-08P-MM-SL8B05-00AH |
| | 定制化 Customized | | | | | |
| PVC | 1m | PM-M12A-03P-MM-SL8C01-00AH | PM-M12A-04P-MM-SL8C01-00AH | PM-M12A-05P-MM-SL8C01-00AH | PM-M12A-06P-MM-SL8C01-00AH | PM-M12A-08P-MM-SL8C01-00AH |
| | 3m | PM-M12A-03P-MM-SL8C03-00AH | PM-M12A-04P-MM-SL8C03-00AH | PM-M12A-05P-MM-SL8C03-00AH | PM-M12A-06P-MM-SL8C03-00AH | PM-M12A-08P-MM-SL8C03-00AH |
| | 5m | PM-M12A-03P-MM-SL8C05-00AH | PM-M12A-04P-MM-SL8C05-00AH | PM-M12A-05P-MM-SL8C05-00AH | PM-M12A-06P-MM-SL8C05-00AH | PM-M12A-08P-MM-SL8C05-00AH |
| | 定制化 Customized | | | | | |
| PUR | 1m | PM-M12A-03P-MM-SL8D01-00AH | PM-M12A-04P-MM-SL8D01-00AH | PM-M12A-05P-MM-SL8D01-00AH | PM-M12A-06P-MM-SL8D01-00AH | PM-M12A-08P-MM-SL8D01-00AH |
| | 3m | PM-M12A-03P-MM-SL8D03-00AH | PM-M12A-04P-MM-SL8D03-00AH | PM-M12A-05P-MM-SL8D03-00AH | PM-M12A-06P-MM-SL8D03-00AH | PM-M12A-08P-MM-SL8D03-00AH |
| | 5m | PM-M12A-03P-MM-SL8D05-00AH | PM-M12A-04P-MM-SL8D05-00AH | PM-M12A-05P-MM-SL8D05-00AH | PM-M12A-06P-MM-SL8D05-00AH | PM-M12A-08P-MM-SL8D05-00AH |
| | 定制化 Customized | | | | | |

M12 x 1 针式成型电缆插头，单端，非屏蔽，直头。

M12 x 1 Male Overmolded with Cable Plug, Single end, Unshielded, Straight.



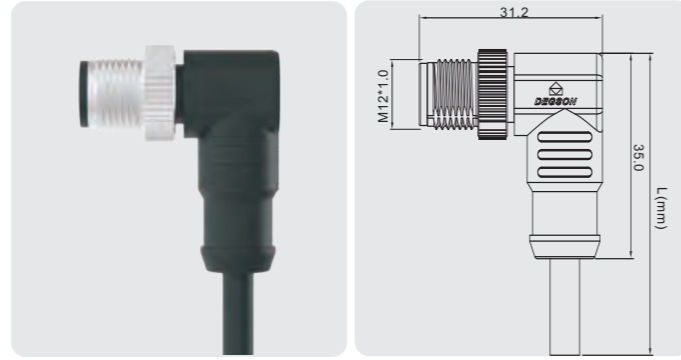
技术数据 Technical Data

| | | | |
|-------------------------------|----------------------------|-------------------------------------|-------------------------------|
| 标准 Standard | IEC 61076 | 端子载体材料 Contact carriers material | PU / PA |
| 系列 Series | M12, Male, Straight | 端子材料 Contact material | Copper Alloy, Gold-plated |
| Pin针数量 Number of Pins | 03,04,05,06,08,10,12,17Pin | 金属螺母 Metal of nut | Zinc Alloy with Nickel Plated |
| 额定电流 Rated Current | 4A max. | 胶圈 Seal | Silicone |
| 额定电压 Rated voltage | 250V max. | 电缆外皮材料 Cable jacket material | PUR / PVC |
| 绝缘电阻 Insulation resistance | ≥100MΩ | 屏蔽 Shielding | Unshielded |
| 接触电阻 Contact resistance | ≤5mΩ | 机械寿命 Mechanical life | > 100 mating cycles |
| 运行温度 Ambient temperature | - 25 ~ + 80°C | — | — |
| 防护等级 IP Class | IP68 | — | — |

| 针数 Number of Pins | | 10 Pin | 12 Pin | 17 Pin | 05 Pin | 04 Pin |
|-----------------------|----------------------|--------------------------------------|---------------------------------------|---|--------------------------------------|------------------------------|
| 编码 Coding | 编码 Coded | A-Coded | A-Coded | A-Coded | B-Coded | D-Coded |
| | 正面图 Front View | | | | | |
| 额定电流 Rated current | A. | 1.5A | 1.5A | 1.5A | 4A | 4A |
| 额定电压 Rated voltage | V. | 30V | 30V | 30V | 60V | 250V |
| 电线电缆 Wire/Cable | 线规 Wire gauge | 26AWG | 26AWG | 26AWG | 22AWG | 22AWG |
| | 横截面 Cross section | 0.14mm ² | 0.14mm ² | 0.14mm ² | 0.34mm ² | 0.34mm ² |
| | 接线表 Wiring list | 1.BN 3.WH 5.PK 7.BK 9.RD | 2.BU 4.GN 6.YW 8.GY 10.VT | 1.BN 2.BU 3.WH 4.GN 5.PK 6.YW 7.BK 8.GY 9.RD 10.VT 11.GY/PK 12.RD/BU | 1.BN 2.WH 3.BU 4.BK 5.GY | 1.BN 2.WH 3.BU 4.BK |
| 描述 Description | 订单号 Order NO. | 订单号 Order NO. | 订单号 Order NO. | 订单号 Order NO. | 订单号 Order NO. | 订单号 Order NO. |
| PVC | 1m | PM-M12A-10P-MM-SL8A01-00AH | PM-M12A-12P-MM-SL8A01-00AH | PM-M12A-17P-MM-SL8A01-00AH | PM-M12B-05P-MM-SL8A01-00AH | PM-M12D-04P-MM-SL8A01-00AH |
| | 3m | PM-M12A-10P-MM-SL8A03-00AH | PM-M12A-12P-MM-SL8A03-00AH | PM-M12A-17P-MM-SL8A03-00AH | PM-M12B-05P-MM-SL8A03-00AH | PM-M12D-04P-MM-SL8A03-00AH |
| | 5m | PM-M12A-10P-MM-SL8A05-00AH | PM-M12A-12P-MM-SL8A05-00AH | PM-M12A-17P-MM-SL8A05-00AH | PM-M12B-05P-MM-SL8A05-00AH | PM-M12D-04P-MM-SL8A05-00AH |
| | 定制化 Customized | | | | | |
| PUR | 1m | PM-M12A-10P-MM-SL8B01-00AH | PM-M12A-12P-MM-SL8B01-00AH | PM-M12A-17P-MM-SL8B01-00AH | PM-M12B-05P-MM-SL8B01-00AH | PM-M12D-04P-MM-SL8B01-00AH |
| | 3m | PM-M12A-10P-MM-SL8B03-00AH | PM-M12A-12P-MM-SL8B03-00AH | PM-M12A-17P-MM-SL8B03-00AH | PM-M12B-05P-MM-SL8B03-00AH | PM-M12D-04P-MM-SL8B03-00AH |
| | 5m | PM-M12A-10P-MM-SL8B05-00AH | PM-M12A-12P-MM-SL8B05-00AH | PM-M12A-17P-MM-SL8B05-00AH | PM-M12B-05P-MM-SL8B05-00AH | PM-M12D-04P-MM-SL8B05-00AH |
| | 定制化 Customized | | | | | |
| PVC | 1m | PM-M12A-10P-MM-SL8C01-00AH | PM-M12A-12P-MM-SL8C01-00AH | PM-M12A-17P-MM-SL8C01-00AH | PM-M12B-05P-MM-SL8C01-00AH | PM-M12D-04P-MM-SL8C01-00AH |
| | 3m | PM-M12A-10P-MM-SL8C03-00AH | PM-M12A-12P-MM-SL8C03-00AH | PM-M12A-17P-MM-SL8C03-00AH | PM-M12B-05P-MM-SL8C03-00AH | PM-M12D-04P-MM-SL8C03-00AH |
| | 5m | PM-M12A-10P-MM-SL8C05-00AH | PM-M12A-12P-MM-SL8C05-00AH | PM-M12A-17P-MM-SL8C05-00AH | PM-M12B-05P-MM-SL8C05-00AH | PM-M12D-04P-MM-SL8C05-00AH |
| | 定制化 Customized | | | | | |
| PUR | 1m | PM-M12A-10P-MM-SL8D01-00AH | PM-M12A-12P-MM-SL8D01-00AH | PM-M12A-17P-MM-SL8D01-00AH | PM-M12B-05P-MM-SL8D01-00AH | PM-M12D-04P-MM-SL8D01-00AH |
| | 3m | PM-M12A-10P-MM-SL8D03-00AH | PM-M12A-12P-MM-SL8D03-00AH | PM-M12A-17P-MM-SL8D03-00AH | PM-M12B-05P-MM-SL8D03-00AH | PM-M12D-04P-MM-SL8D03-00AH |
| | 5m | PM-M12A-10P-MM-SL8D05-00AH | PM-M12A-12P-MM-SL8D05-00AH | PM-M12A-17P-MM-SL8D05-00AH | PM-M12B-05P-MM-SL8D05-00AH | PM-M12D-04P-MM-SL8D05-00AH |
| | 定制化 Customized | | | | | |

M12 x 1 针式成型电缆插头，单端，非屏蔽，弯头。

M12 x 1 Male Overmolded with Cable Plug, Single end, Unshielded, Angled.



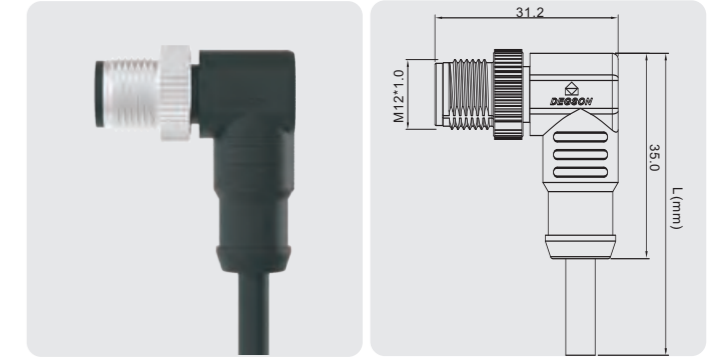
技术数据 Technical Data

| | | | |
|----------------------------|----------------------------|----------------------------------|-------------------------------|
| 标准 Standard | IEC 61076 | 端子载体材料 Contact carriers material | PU / PA |
| 系列 Series | M12, Male, Angled | 端子材料 Contact material | Copper Alloy, Gold-plated |
| Pin针数量 Number of Pins | 03,04,05,06,08,10,12,17Pin | 金属螺母 Metal of nut | Zinc Alloy with Nickel Plated |
| 额定电流 Rated Current | 4A max. | 胶圈 Seal | Silicone |
| 额定电压 Rated voltage | 250V max. | 电缆外皮材料 Cable jacket material | PUR / PVC |
| 绝缘电阻 Insulation resistance | ≥100MΩ | 屏蔽 Shielding | Unshielded |
| 接触电阻 Contact resistance | ≤5mΩ | 机械寿命 Mechanical life | > 100 mating cycles |
| 运行温度 Ambient temperature | - 25 ~ + 80°C | — | — |
| 防护等级 IP Class | IP68 | — | — |

| 针数 Number of Pins | | 03 Pin | 04 Pin | 05 Pin | 06 Pin | 08 Pin |
|--------------------|-------------------|----------------------------|------------------------------|--------------------------------------|--|--|
| 编码 Coding | 编码 Coded | A-Coded | A-Coded | A-Coded | A-Coded | A-Coded |
| | 正面图 Front View | | | | | |
| 额定电流 Rated current | A. | 4A | 4A | 4A | 2A | 2A |
| 额定电压 Rated voltage | V. | 250V | 250V | 60V | 30V | 30V |
| 电线电缆 Wire/Cable | 线规 Wire gauge | 22AWG | 22AWG | 22AWG | 24AWG | 24AWG |
| | 横截面 Cross section | 0.34mm ² | 0.34mm ² | 0.34mm ² | 0.25mm ² | 0.25mm ² |
| | 接线表 Wiring list | 1.BN 3.BU 4.BK | 1.BN 2.WH 3.BU 4.BK | 1.BN 2.WH 3.BU 4.BK 5.GY | 1.WH 2.BN 3.GN 4.YE 5.GY 6.PK 7.BU 8.RD | 1.WH 2.BN 3.GN 4.YE 5.GY 6.PK 7.BU 8.RD |
| 描述 Description | | 订单号 Order NO. | 订单号 Order NO. | 订单号 Order NO. | 订单号 Order NO. | 订单号 Order NO. |
| PVC | 1m | PM-M12A-03P-MM-SR8A01-00AH | PM-M12A-04P-MM-SR8A01-00AH | PM-M12A-05P-MM-SR8A01-00AH | PM-M12A-06P-MM-SR8A01-00AH | PM-M12A-08P-MM-SR8A01-00AH |
| | 3m | PM-M12A-03P-MM-SR8A03-00AH | PM-M12A-04P-MM-SR8A03-00AH | PM-M12A-05P-MM-SR8A03-00AH | PM-M12A-06P-MM-SR8A03-00AH | PM-M12A-08P-MM-SR8A03-00AH |
| | 5m | PM-M12A-03P-MM-SR8A05-00AH | PM-M12A-04P-MM-SR8A05-00AH | PM-M12A-05P-MM-SR8A05-00AH | PM-M12A-06P-MM-SR8A05-00AH | PM-M12A-08P-MM-SR8A05-00AH |
| | 定制化 Customized | | | | | |
| PUR | 1m | PM-M12A-03P-MM-SR8B01-00AH | PM-M12A-04P-MM-SR8B01-00AH | PM-M12A-05P-MM-SR8B01-00AH | PM-M12A-06P-MM-SR8B01-00AH | PM-M12A-08P-MM-SR8B01-00AH |
| | 3m | PM-M12A-03P-MM-SR8B03-00AH | PM-M12A-04P-MM-SR8B03-00AH | PM-M12A-05P-MM-SR8B03-00AH | PM-M12A-06P-MM-SR8B03-00AH | PM-M12A-08P-MM-SR8B03-00AH |
| | 5m | PM-M12A-03P-MM-SR8B05-00AH | PM-M12A-04P-MM-SR8B05-00AH | PM-M12A-05P-MM-SR8B05-00AH | PM-M12A-06P-MM-SR8B05-00AH | PM-M12A-08P-MM-SR8B05-00AH |
| | 定制化 Customized | | | | | |
| PVC | 1m | PM-M12A-03P-MM-SR8C01-00AH | PM-M12A-04P-MM-SR8C01-00AH | PM-M12A-05P-MM-SR8C01-00AH | PM-M12A-06P-MM-SR8C01-00AH | PM-M12A-08P-MM-SR8C01-00AH |
| | 3m | PM-M12A-03P-MM-SR8C03-00AH | PM-M12A-04P-MM-SR8C03-00AH | PM-M12A-05P-MM-SR8C03-00AH | PM-M12A-06P-MM-SR8C03-00AH | PM-M12A-08P-MM-SR8C03-00AH |
| | 5m | PM-M12A-03P-MM-SR8C05-00AH | PM-M12A-04P-MM-SR8C05-00AH | PM-M12A-05P-MM-SR8C05-00AH | PM-M12A-06P-MM-SR8C05-00AH | PM-M12A-08P-MM-SR8C05-00AH |
| | 定制化 Customized | | | | | |
| PUR | 1m | PM-M12A-03P-MM-SR8D01-00AH | PM-M12A-04P-MM-SR8D01-00AH | PM-M12A-05P-MM-SR8D01-00AH | PM-M12A-06P-MM-SR8D01-00AH | PM-M12A-08P-MM-SR8D01-00AH |
| | 3m | PM-M12A-03P-MM-SR8D03-00AH | PM-M12A-04P-MM-SR8D03-00AH | PM-M12A-05P-MM-SR8D03-00AH | PM-M12A-06P-MM-SR8D03-00AH | PM-M12A-08P-MM-SR8D03-00AH |
| | 5m | PM-M12A-03P-MM-SR8D05-00AH | PM-M12A-04P-MM-SR8D05-00AH | PM-M12A-05P-MM-SR8D05-00AH | PM-M12A-06P-MM-SR8D05-00AH | PM-M12A-08P-MM-SR8D05-00AH |
| | 定制化 Customized | | | | | |

M12 x 1 针式成型电缆插头，单端，非屏蔽，弯头。

M12 x 1 Male Overmolded with Cable Plug, Single end, Unshielded, Angled.



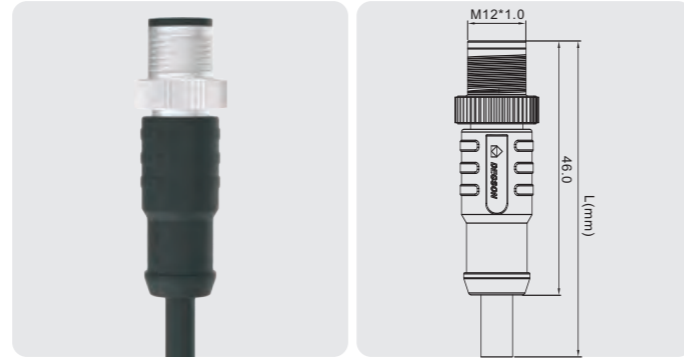
技术数据 Technical Data

| | | | |
|----------------------------|----------------------------|----------------------------------|-------------------------------|
| 标准 Standard | IEC 61076 | 端子载体材料 Contact carriers material | PU / PA |
| 系列 Series | M12, Male, Angled | 端子材料 Contact material | Copper Alloy, Gold-plated |
| Pin针数量 Number of Pins | 03,04,05,06,08,10,12,17Pin | 金属螺母 Metal of nut | Zinc Alloy with Nickel Plated |
| 额定电流 Rated Current | 4A max. | 胶圈 Seal | Silicone |
| 额定电压 Rated voltage | 250V max. | 电缆外皮材料 Cable jacket material | PUR / PVC |
| 绝缘电阻 Insulation resistance | ≥100MΩ | 屏蔽 Shielding | Unshielded |
| 接触电阻 Contact resistance | ≤5mΩ | 机械寿命 Mechanical life | > 100 mating cycles |
| 运行温度 Ambient temperature | - 25 ~ + 80°C | — | — |
| 防护等级 IP Class | IP68 | — | — |

| 针数 Number of Pins | | 10 Pin | 12 Pin | 17 Pin | 05 Pin | 04 Pin |
|--------------------|-------------------|--|---|---|--------------------------------|----------------------------|
| 编码 Coding | 编码 Coded | A-Coded | A-Coded | A-Coded | B-Coded | D-Coded |
| | 正面图 Front View | | | | | |
| 额定电流 Rated current | A. | 1.5A | 1.5A | 1.5A | 4A | 4A |
| 额定电压 Rated voltage | V. | 30V | 30V | 30V | 60V | 250V |
| 电线电缆 Wire/Cable | 线规 Wire gauge | 26AWG | 26AWG | 26AWG | 22AWG | 22AWG |
| | 横截面 Cross section | 0.14mm ² | 0.14mm ² | 0.14mm ² | 0.34mm ² | 0.34mm ² |
| | 接线表 Wiring list | 1.BN 2.BU 3.WH 4.GN 5.PK 6.YW 7.BK 8.GY 9.RD 10.VT | 1.BN 2.BU 3.WH 4.GN 5.PK 6.YW 7.BK 8.GY 9.RD 10.VT 11.GY/PK 12.RD/BU | 1.BN 2.BU 3.WH 4.GN 5.PK 6.YW 7.BK 8.GY 9.RD 10.VT 11.GY/PK 12.RD/BU 13.WH/YW 14.BN/GN 15.WH/YW 16.YW/BN 17.WH/GY | 1.BN 2.WH 3.BU 4.BK 5.GY | 1.BN 2.WH 3.BU 4.BK |
| 描述 Description | | 订单号 Order NO. | 订单号 Order NO. | 订单号 Order NO. | 订单号 Order NO. | 订单号 Order NO. |
| PVC | 1m | PM-M12A-10P-MM-SR8A01-00AH | PM-M12A-12P-MM-SR8A01-00AH | PM-M12A-17P-MM-SR8A01-00AH | PM-M12B-05P-MM-SR8A01-00AH | PM-M12D-04P-MM-SR8A01-00AH |
| | 3m | PM-M12A-10P-MM-SR8A03-00AH | PM-M12A-12P-MM-SR8A03-00AH | PM-M12A-17P-MM-SR8A03-00AH | PM-M12B-05P-MM-SR8A03-00AH | PM-M12D-04P-MM-SR8A03-00AH |
| | 5m | PM-M12A-10P-MM-SR8A05-00AH | PM-M12A-12P-MM-SR8A05-00AH | PM-M12A-17P-MM-SR8A05-00AH | PM-M12B-05P-MM-SR8A05-00AH | PM-M12D-04P-MM-SR8A05-00AH |
| | 定制化 Customized | | | | | |
| PUR | 1m | PM-M12A-10P-MM-SR8B01-00AH | PM-M12A-12P-MM-SR8B01-00AH | PM-M12A-17P-MM-SR8B01-00AH | PM-M12B-05P-MM-SR8B01-00AH | PM-M12D-04P-MM-SR8B01-00AH |
| | 3m | PM-M12A-10P-MM-SR8B03-00AH | PM-M12A-12P-MM-SR8B03-00AH | PM-M12A-17P-MM-SR8B03-00AH | PM-M12B-05P-MM-SR8B03-00AH | PM-M12D-04P-MM-SR8B03-00AH |
| | 5m | PM-M12A-10P-MM-SR8B05-00AH | PM-M12A-12P-MM-SR8B05-00AH | PM-M12A-17P-MM-SR8B05-00AH | PM-M12B-05P-MM-SR8B05-00AH | PM-M12D-04P-MM-SR8B05-00AH |
| | 定制化 Customized | | | | | |
| PVC | 1m | PM-M12A-10P-MM-SR8C01-00AH | PM-M12A-12P-MM-SR8C01-00AH | PM-M12A-17P-MM-SR8C01-00AH | PM-M12B-05P-MM-SR8C01-00AH | PM-M12D-04P-MM-SR8C01-00AH |
| | 3m | PM-M12A-10P-MM-SR8C03-00AH | PM-M12A-12P-MM-SR8C03-00AH | PM-M12A-17P-MM-SR8C03-00AH | PM-M12B-05P-MM-SR8C03-00AH | PM-M12D-04P-MM-SR8C03-00AH |
| | 5m | PM-M12A-10P-MM-SR8C05-00AH | PM-M12A-12P-MM-SR8C05-00AH | PM-M12A-17P-MM-SR8C05-00AH | PM-M12B-05P-MM-SR8C05-00AH | PM-M12D-04P-MM-SR8C05-00AH |
| | 定制化 Customized | | | | | |
| PUR | 1m | PM-M12A-10P-MM-SR8D01-00AH | PM-M12A-12P-MM-SR8D01-00AH | PM-M12A-17P-MM-SR8D01-00AH | PM-M12B-05P-MM-SR8D01-00AH | PM-M12D-04P-MM-SR8D01-00AH |
| | 3m | PM-M12A-10P-MM-SR8D03-00AH | PM-M12A-12P-MM-SR8D03-00AH | PM-M12A-17P-MM-SR8D03-00AH | PM-M12B-05P-MM-SR8D03-00AH | PM-M12D-04P-MM-SR8D03-00AH |
| | 5m | PM-M12A-10P-MM-SR8D05-00AH | PM-M12A-12P-MM-SR8D05-00AH | PM-M12A-17P-MM-SR8D05-00AH | PM-M12B-05P-MM-SR8D05-00AH | PM-M12D-04P-MM-SR8D05-00AH |
| | 定制化 Customized | | | | | |

M12 x 1 针式成型电缆插头，单端，屏蔽，直头。

M12 x 1 Male Overmolded with Cable Plug, Single end, Shielded, Straight.



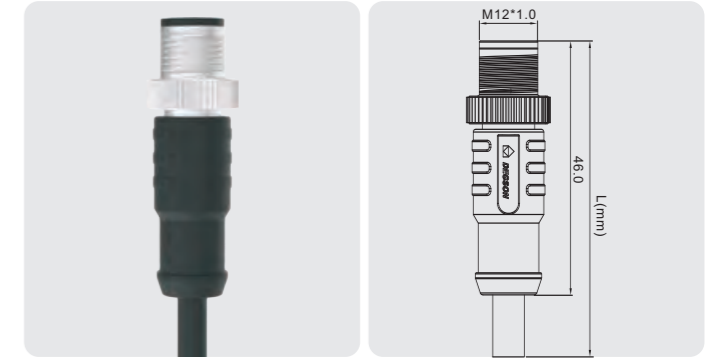
技术数据 Technical Data

| | | | |
|----------------------------|----------------------------|----------------------------------|-------------------------------|
| 标准 Standard | IEC 61076 | 端子载体材料 Contact carriers material | PA |
| 系列 Series | M12, Male, Straight | 端子材料 Contact material | Copper Alloy, Gold-plated |
| Pin针数量 Number of Pins | 03,04,05,06,08,10,12,17Pin | 金属螺母 Metal of nut | Zinc Alloy with Nickel Plated |
| 额定电流 Rated Current | 4A max. | 胶圈 Seal | Silicone |
| 额定电压 Rated voltage | 250V max. | 电缆外皮材料 Cable jacket material | PUR / PVC |
| 绝缘电阻 Insulation resistance | ≥100MΩ | 屏蔽 Shielding | Shielded |
| 接触电阻 Contact resistance | ≤5mΩ | 机械寿命 Mechanical life | > 100 mating cycles |
| 运行温度 Ambient temperature | - 25 ~ + 80°C | — | — |
| 防护等级 IP Class | IP68 | — | — |

| 针数 Number of Pins | | 03 Pin | 04 Pin | 05 Pin | 06 Pin | 08 Pin |
|--------------------|-------------------|------------------------------|------------------------------|--------------------------------------|--------------------------------------|------------------------------|
| 编码 Coding | 编码 Coded | A-Coded | A-Coded | A-Coded | A-Coded | A-Coded |
| | 正面图 Front View | | | | | |
| 额定电流 Rated current | A. | 4A | 4A | 4A | 2A | 2A |
| 额定电压 Rated voltage | V. | 250V | 250V | 60V | 30V | 30V |
| 电线电缆 Wire/Cable | 线规 Wire gauge | 22AWG | 22AWG | 22AWG | 24AWG | 24AWG |
| | 横截面 Cross section | 0.34mm ² | 0.34mm ² | 0.34mm ² | 0.25mm ² | 0.25mm ² |
| | 接线表 Wiring list | 1.BN 3.BU 4.BK | 1.BN 2.WH 3.BU 4.BK | 1.BN 2.WH 3.BU 4.BK 5.GY | 1.WH 2.BN 3.GN 4.YE 5.GY | 6.PK 7.BU 8.RD |
| 描述 Description | 订单号 Order NO. | 订单号 Order NO. | 订单号 Order NO. | 订单号 Order NO. | 订单号 Order NO. | 订单号 Order NO. |
| PVC | 1m | PMSH-M12A-03P-MM-SL8A01-00AH | PMSH-M12A-04P-MM-SL8A01-00AH | PMSH-M12A-05P-MM-SL8A01-00AH | PMSH-M12A-06P-MM-SL8A01-00AH | PMSH-M12A-08P-MM-SL8A01-00AH |
| | 3m | PMSH-M12A-03P-MM-SL8A03-00AH | PMSH-M12A-04P-MM-SL8A03-00AH | PMSH-M12A-05P-MM-SL8A03-00AH | PMSH-M12A-06P-MM-SL8A03-00AH | PMSH-M12A-08P-MM-SL8A03-00AH |
| | 5m | PMSH-M12A-03P-MM-SL8A05-00AH | PMSH-M12A-04P-MM-SL8A05-00AH | PMSH-M12A-05P-MM-SL8A05-00AH | PMSH-M12A-06P-MM-SL8A05-00AH | PMSH-M12A-08P-MM-SL8A05-00AH |
| | 定制化 Customized | | | | | |
| PUR | 1m | PMSH-M12A-03P-MM-SL8B01-00AH | PMSH-M12A-04P-MM-SL8B01-00AH | PMSH-M12A-05P-MM-SL8B01-00AH | PMSH-M12A-06P-MM-SL8B01-00AH | PMSH-M12A-08P-MM-SL8B01-00AH |
| | 3m | PMSH-M12A-03P-MM-SL8B03-00AH | PMSH-M12A-04P-MM-SL8B03-00AH | PMSH-M12A-05P-MM-SL8B03-00AH | PMSH-M12A-06P-MM-SL8B03-00AH | PMSH-M12A-08P-MM-SL8B03-00AH |
| | 5m | PMSH-M12A-03P-MM-SL8B05-00AH | PMSH-M12A-04P-MM-SL8B05-00AH | PMSH-M12A-05P-MM-SL8B05-00AH | PMSH-M12A-06P-MM-SL8B05-00AH | PMSH-M12A-08P-MM-SL8B05-00AH |
| | 定制化 Customized | | | | | |
| PVC | 1m | PMSH-M12A-03P-MM-SL8C01-00AH | PMSH-M12A-04P-MM-SL8C01-00AH | PMSH-M12A-05P-MM-SL8C01-00AH | PMSH-M12A-06P-MM-SL8C01-00AH | PMSH-M12A-08P-MM-SL8C01-00AH |
| | 3m | PMSH-M12A-03P-MM-SL8C03-00AH | PMSH-M12A-04P-MM-SL8C03-00AH | PMSH-M12A-05P-MM-SL8C03-00AH | PMSH-M12A-06P-MM-SL8C03-00AH | PMSH-M12A-08P-MM-SL8C03-00AH |
| | 5m | PMSH-M12A-03P-MM-SL8C05-00AH | PMSH-M12A-04P-MM-SL8C05-00AH | PMSH-M12A-05P-MM-SL8C05-00AH | PMSH-M12A-06P-MM-SL8C05-00AH | PMSH-M12A-08P-MM-SL8C05-00AH |
| | 定制化 Customized | | | | | |
| PUR | 1m | PMSH-M12A-03P-MM-SL8D01-00AH | PMSH-M12A-04P-MM-SL8D01-00AH | PMSH-M12A-05P-MM-SL8D01-00AH | PMSH-M12A-06P-MM-SL8D01-00AH | PMSH-M12A-08P-MM-SL8D01-00AH |
| | 3m | PMSH-M12A-03P-MM-SL8D03-00AH | PMSH-M12A-04P-MM-SL8D03-00AH | PMSH-M12A-05P-MM-SL8D03-00AH | PMSH-M12A-06P-MM-SL8D03-00AH | PMSH-M12A-08P-MM-SL8D03-00AH |
| | 5m | PMSH-M12A-03P-MM-SL8D05-00AH | PMSH-M12A-04P-MM-SL8D05-00AH | PMSH-M12A-05P-MM-SL8D05-00AH | PMSH-M12A-06P-MM-SL8D05-00AH | PMSH-M12A-08P-MM-SL8D05-00AH |
| | 定制化 Customized | | | | | |

M12 x 1 针式成型电缆插头，单端，屏蔽，直头。

M12 x 1 Male Overmolded with Cable Plug, Single end, Shielded, Straight.



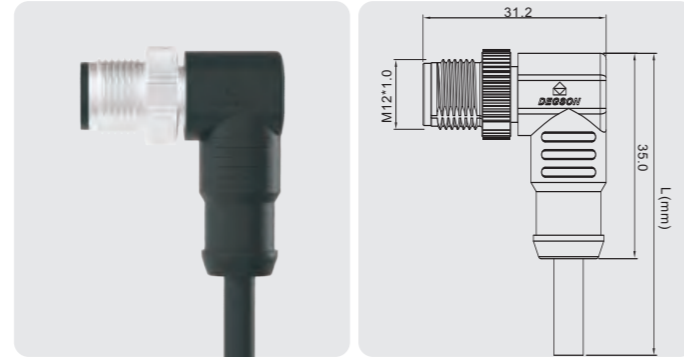
技术数据 Technical Data

| | | | |
|----------------------------|----------------------------|----------------------------------|-------------------------------|
| 标准 Standard | IEC 61076 | 端子载体材料 Contact carriers material | PA |
| 系列 Series | M12, Male, Straight | 端子材料 Contact material | Copper Alloy, Gold-plated |
| Pin针数量 Number of Pins | 03,04,05,06,08,10,12,17Pin | 金属螺母 Metal of nut | Zinc Alloy with Nickel Plated |
| 额定电流 Rated Current | 4A max. | 胶圈 Seal | Silicone |
| 额定电压 Rated voltage | 250V max. | 电缆外皮材料 Cable jacket material | PUR / PVC |
| 绝缘电阻 Insulation resistance | ≥100MΩ | 屏蔽 Shielding | Shielded |
| 接触电阻 Contact resistance | ≤5mΩ | 机械寿命 Mechanical life | > 100 mating cycles |
| 运行温度 Ambient temperature | - 25 ~ + 80°C | — | — |
| 防护等级 IP Class | IP68 | — | — |

| 针数 Number of Pins | | 10 Pin | 12 Pin | 17 Pin | 05 Pin | 04 Pin |
|--------------------|-------------------|--|---|---|--|------------------------------|
| 编码 Coding | 编码 Coded | A-Coded | A-Coded | A-Coded | B-Coded | D-Coded |
| | 正面图 Front View | | | | | |
| 额定电流 Rated current | A. | 1.5A | 1.5A | 1.5A | 4A | 4A |
| 额定电压 Rated voltage | V. | 30V | 30V | 30V | 60V | 250V |
| 电线电缆 Wire/Cable | 线规 Wire gauge | 26AWG | 26AWG | 26AWG | 22AWG | 22AWG |
| | 横截面 Cross section | 0.14mm ² | 0.14mm ² | 0.14mm ² | 0.34mm ² | 0.34mm ² |
| | 接线表 Wiring list | 1.BN 2.BU 3.WH 4.GN 5.PK 6.YW 7.BK 8.GY 9.RD 10.VT | 1.BN 2.BU 3.WH 4.GN 5.PK 6.YW 7.BK 8.GY 9.RD 10.VT 11.GY/PK 12.RD/BU | 1.BN 2.BU 3.WH 4.GN 5.PK 6.YW 7.BK 8.GY 9.RD 10.VT 11.GY/PK 12.RD/BU 13.WH/GN 14.BN/GN 15.WH/YW 16.YW/BN 17.WH/GY | 1.BN 2.WH 3.BU 2.WH 4.BK 3.OG 5.GY 4.BU | 1.YW 2.WH 3.OG 4.BU |
| 描述 Description | 订单号 Order NO. | 订单号 Order NO. | 订单号 Order NO. | 订单号 Order NO. | 订单号 Order NO. | 订单号 Order NO. |
| PVC | 1m | PMSH-M12A-10P-MM-SL8A01-00AH | PMSH-M12A-12P-MM-SL8A01-00AH | PMSH-M12A-17P-MM-SL8A01-00AH | PMSH-M12B-05P-MM-SL8A01-00AH | PMSH-M12D-04P-MM-SL8A01-00AH |
| | 3m | PMSH-M12A-10P-MM-SL8A03-00AH | PMSH-M12A-12P-MM-SL8A03-00AH | PMSH-M12A-17P-MM-SL8A03-00AH | PMSH-M12B-05P-MM-SL8A03-00AH | PMSH-M12D-04P-MM-SL8A03-00AH |
| | 5m | PMSH-M12A-10P-MM-SL8A05-00AH | PMSH-M12A-12P-MM-SL8A05-00AH | PMSH-M12A-17P-MM-SL8A05-00AH | PMSH-M12B-05P-MM-SL8A05-00AH | PMSH-M12D-04P-MM-SL8A05-00AH |
| | 定制化 Customized | | | | | |
| PUR | 1m | PMSH-M12A-10P-MM-SL8B01-00AH | PMSH-M12A-12P-MM-SL8B01-00AH | PMSH-M12A-17P-MM-SL8B01-00AH | PMSH-M12B-05P-MM-SL8B01-00AH | PMSH-M12D-04P-MM-SL8B01-00AH |
| | 3m | PMSH-M12A-10P-MM-SL8B03-00AH | PMSH-M12A-12P-MM-SL8B03-00AH | PMSH-M12A-17P-MM-SL8B03-00AH | PMSH-M12B-05P-MM-SL8B03-00AH | PMSH-M12D-04P-MM-SL8B03-00AH |
| | 5m | PMSH-M12A-10P-MM-SL8B05-00AH | PMSH-M12A-12P-MM-SL8B05-00AH | PMSH-M12A-17P-MM-SL8B05-00AH | PMSH-M12B-05P-MM-SL8B05-00AH | PMSH-M12D-04P-MM-SL8B05-00AH |
| | 定制化 Customized | | | | | |
| PVC | 1m | PMSH-M12A-10P-MM-SL8C01-00AH | PMSH-M12A-12P-MM-SL8C01-00AH | PMSH-M12A-17P-MM-SL8C01-00AH | PMSH-M12B-05P-MM-SL8C01-00AH | PMSH-M12D-04P-MM-SL8C01-00AH |
| | 3m | PMSH-M12A-10P-MM-SL8C03-00AH | PMSH-M12A-12P-MM-SL8C03-00AH | PMSH-M12A-17P-MM-SL8C03-00AH | PMSH-M12B-05P-MM-SL8C03-00AH | PMSH-M12D-04P-MM-SL8C03-00AH |
| | 5m | PMSH-M12A-10P-MM-SL8C05-00AH | PMSH-M12A-12P-MM-SL8C05-00AH | PMSH-M12A-17P-MM-SL8C05-00AH | PMSH-M12B-05P-MM-SL8C05-00AH | PMSH-M12D-04P-MM-SL8C05-00AH |
| | 定制化 Customized | | | | | |
| PUR | 1m | PMSH-M12A-10P-MM-SL8D01-00AH | PMSH-M12A-12P-MM-SL8D01-00AH | PMSH-M12A-17P-MM-SL8D01-00AH | PMSH-M12B-05P-MM-SL8D01-00AH | PMSH-M12D-04P-MM-SL8D01-00AH |
| | 3m | PMSH-M12A-10P-MM-SL8D03-00AH | PMSH-M12A-12P-MM-SL8D03-00AH | PMSH-M12A-17P-MM-SL8D03-00AH | PMSH-M12B-05P-MM-SL8D03-00AH | PMSH-M12D-04P-MM-SL8D03-00AH |
| | 5m | PMSH-M12A-10P-MM-SL8D05-00AH | PMSH-M12A-12P-MM-SL8D05-00AH | PMSH-M12A-17P-MM-SL8D05-00AH | PMSH-M12B-05P-MM-SL8D05-00AH | PMSH-M12D-04P-MM-SL8D05-00AH |
| | 定制化 Customized | | | | | |

M12 x 1 针式成型电缆插头，单端，屏蔽，弯头。

M12 x 1 Male, Overmolded with Cable Plug, Single end, Shielded, Angled.



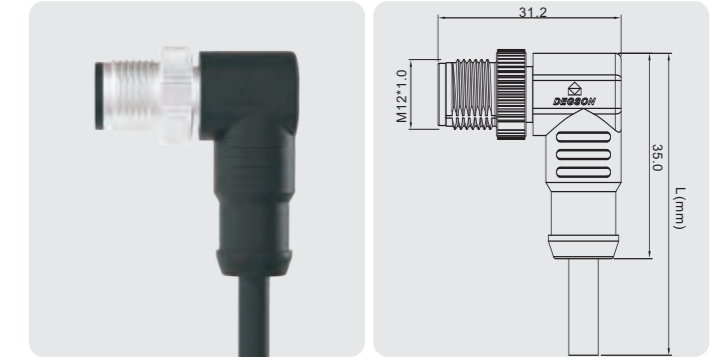
技术数据 Technical Data

| | | | |
|----------------------------|----------------------------|----------------------------------|-------------------------------|
| 标准 Standard | IEC 61076 | 端子载体材料 Contact carriers material | PA |
| 系列 Series | M12, Male, Angled | 端子材料 Contact material | Copper Alloy, Gold-plated |
| Pin针数量 Number of Pins | 03,04,05,06,08,10,12,17Pin | 金属螺母 Metal of nut | Zinc Alloy with Nickel Plated |
| 额定电流 Rated Current | 4A max. | 胶圈 Seal | Silicone |
| 额定电压 Rated voltage | 250V max. | 电缆外皮材料 Cable jacket material | PUR / PVC |
| 绝缘电阻 Insulation resistance | ≥100MΩ | 屏蔽 Shielding | Shielded |
| 接触电阻 Contact resistance | ≤5mΩ | 机械寿命 Mechanical life | > 100 mating cycles |
| 运行温度 Ambient temperature | - 25 ~ + 80°C | — | — |
| 防护等级 IP Class | IP68 | — | — |

| 针数 Number of Pins | | 03 Pin | 04 Pin | 05 Pin | 06 Pin | 08 Pin |
|--------------------|-------------------|------------------------------|------------------------------|--------------------------------------|--|--|
| 编码 Coding | 编码 Coded | A-Coded | A-Coded | A-Coded | A-Coded | A-Coded |
| | 正面图 Front View | | | | | |
| 额定电流 Rated current | A. | 4A | 4A | 4A | 2A | 2A |
| 额定电压 Rated voltage | V. | 250V | 250V | 60V | 30V | 30V |
| 电线电缆 Wire/Cable | 线规 Wire gauge | 22AWG | 22AWG | 22AWG | 24AWG | 24AWG |
| | 横截面 Cross section | 0.34mm ² | 0.34mm ² | 0.34mm ² | 0.25mm ² | 0.25mm ² |
| | 接线表 Wiring list | 1.BN 3.BU 4.BK | 1.BN 2.WH 3.BU 4.BK | 1.BN 2.WH 3.BU 4.BK 5.GY | 1.WH 2.BN 3.GN 4.YE 5.GY 6.PK 7.BU 8.RD | 1.WH 2.BN 3.GN 4.YE 5.GY 6.PK 7.BU 8.RD |
| 描述 Description | 订单号 Order NO. | 订单号 Order NO. | 订单号 Order NO. | 订单号 Order NO. | 订单号 Order NO. | 订单号 Order NO. |
| PVC | 1m | PMSH-M12A-03P-MM-SR8A01-00AH | PMSH-M12A-04P-MM-SR8A01-00AH | PMSH-M12A-05P-MM-SR8A01-00AH | PMSH-M12A-06P-MM-SR8A01-00AH | PMSH-M12A-08P-MM-SR8A01-00AH |
| | 3m | PMSH-M12A-03P-MM-SR8A03-00AH | PMSH-M12A-04P-MM-SR8A03-00AH | PMSH-M12A-05P-MM-SR8A03-00AH | PMSH-M12A-06P-MM-SR8A03-00AH | PMSH-M12A-08P-MM-SR8A03-00AH |
| | 5m | PMSH-M12A-03P-MM-SR8A05-00AH | PMSH-M12A-04P-MM-SR8A05-00AH | PMSH-M12A-05P-MM-SR8A05-00AH | PMSH-M12A-06P-MM-SR8A05-00AH | PMSH-M12A-08P-MM-SR8A05-00AH |
| | 定制化 Customized | | | | | |
| | PUR | 1m | PMSH-M12A-03P-MM-SR8B01-00AH | PMSH-M12A-04P-MM-SR8B01-00AH | PMSH-M12A-05P-MM-SR8B01-00AH | PMSH-M12A-06P-MM-SR8B01-00AH |
| 3m | | PMSH-M12A-03P-MM-SR8B03-00AH | PMSH-M12A-04P-MM-SR8B03-00AH | PMSH-M12A-05P-MM-SR8B03-00AH | PMSH-M12A-06P-MM-SR8B03-00AH | PMSH-M12A-08P-MM-SR8B03-00AH |
| 5m | | PMSH-M12A-03P-MM-SR8B05-00AH | PMSH-M12A-04P-MM-SR8B05-00AH | PMSH-M12A-05P-MM-SR8B05-00AH | PMSH-M12A-06P-MM-SR8B05-00AH | PMSH-M12A-08P-MM-SR8B05-00AH |
| 定制化 Customized | | | | | | |
| PVC | | 1m | PMSH-M12A-03P-MM-SR8C01-00AH | PMSH-M12A-04P-MM-SR8C01-00AH | PMSH-M12A-05P-MM-SR8C01-00AH | PMSH-M12A-06P-MM-SR8C01-00AH |
| | 3m | PMSH-M12A-03P-MM-SR8C03-00AH | PMSH-M12A-04P-MM-SR8C03-00AH | PMSH-M12A-05P-MM-SR8C03-00AH | PMSH-M12A-06P-MM-SR8C03-00AH | PMSH-M12A-08P-MM-SR8C03-00AH |
| | 5m | PMSH-M12A-03P-MM-SR8C05-00AH | PMSH-M12A-04P-MM-SR8C05-00AH | PMSH-M12A-05P-MM-SR8C05-00AH | PMSH-M12A-06P-MM-SR8C05-00AH | PMSH-M12A-08P-MM-SR8C05-00AH |
| | 定制化 Customized | | | | | |
| | PUR | 1m | PMSH-M12A-03P-MM-SR8D01-00AH | PMSH-M12A-04P-MM-SR8D01-00AH | PMSH-M12A-05P-MM-SR8D01-00AH | PMSH-M12A-06P-MM-SR8D01-00AH |
| 3m | | PMSH-M12A-03P-MM-SR8D03-00AH | PMSH-M12A-04P-MM-SR8D03-00AH | PMSH-M12A-05P-MM-SR8D03-00AH | PMSH-M12A-06P-MM-SR8D03-00AH | PMSH-M12A-08P-MM-SR8D03-00AH |
| 5m | | PMSH-M12A-03P-MM-SR8D05-00AH | PMSH-M12A-04P-MM-SR8D05-00AH | PMSH-M12A-05P-MM-SR8D05-00AH | PMSH-M12A-06P-MM-SR8D05-00AH | PMSH-M12A-08P-MM-SR8D05-00AH |
| 定制化 Customized | | | | | | |

M12 x 1 针式成型电缆插头，单端，屏蔽，弯头。

M12 x 1 Male, Overmolded with Cable Plug, Single end, Shielded, Angled.



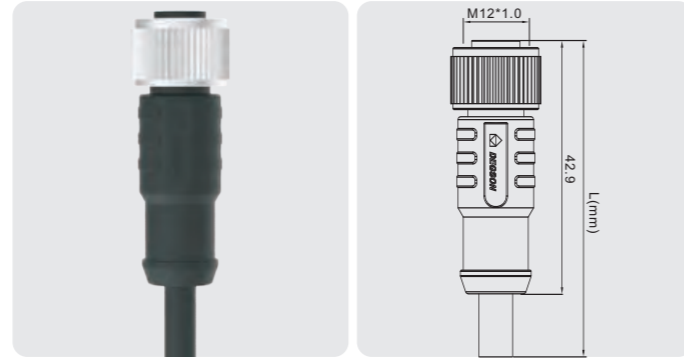
技术数据 Technical Data

| | | | |
|----------------------------|----------------------------|----------------------------------|-------------------------------|
| 标准 Standard | IEC 61076 | 端子载体材料 Contact carriers material | PA |
| 系列 Series | M12, Male, Angled | 端子材料 Contact material | Copper Alloy, Gold-plated |
| Pin针数量 Number of Pins | 03,04,05,06,08,10,12,17Pin | 金属螺母 Metal of nut | Zinc Alloy with Nickel Plated |
| 额定电流 Rated Current | 4A max. | 胶圈 Seal | Silicone |
| 额定电压 Rated voltage | 250V max. | 电缆外皮材料 Cable jacket material | PUR / PVC |
| 绝缘电阻 Insulation resistance | ≥100MΩ | 屏蔽 Shielding | Shielded |
| 接触电阻 Contact resistance | ≤5mΩ | 机械寿命 Mechanical life | > 100 mating cycles |
| 运行温度 Ambient temperature | - 25 ~ + 80°C | — | — |
| 防护等级 IP Class | IP68 | — | — |

| 针数 Number of Pins | | 10 Pin | 12 Pin | 17 Pin | 05 Pin | 04 Pin |
|--------------------|-------------------|--|---|---|--------------------------------------|------------------------------|
| 编码 Coding | 编码 Coded | A-Coded | A-Coded | A-Coded | B-Coded | D-Coded |
| | 正面图 Front View | | | | | |
| 额定电流 Rated current | A. | 1.5A | 1.5A | 1.5A | 4A | 4A |
| 额定电压 Rated voltage | V. | 30V | 30V | 30V | 60V | 250V |
| 电线电缆 Wire/Cable | 线规 Wire gauge | 26AWG | 26AWG | 26AWG | 22AWG | 22AWG |
| | 横截面 Cross section | 0.14mm ² | 0.14mm ² | 0.14mm ² | 0.34mm ² | 0.34mm ² |
| | 接线表 Wiring list | 1.BN 2.BU 3.WH 4.GN 5.PK 6.YW 7.BK 8.GY 9.RD 10.VT | 1.BN 2.BU 3.WH 4.GN 5.PK 6.YW 7.BK 8.GY 9.RD 10.VT 11.GY/PK 12.RD/BU | 1.BN 2.BU 3.WH 4.GN 5.PK 6.YW 7.BK 8.GY 9.RD 10.VT 11.GY/PK 12.RD/BU 13.WH/GN 14.BN/GN 15.WH/YW 16.YW/BN 17.WH/GY | 1.BN 2.WH 3.BU 4.BK 5.GY | 1.YW 2.WH 3.OG 4.BU |
| 描述 Description | 订单号 Order NO. | 订单号 Order NO. | 订单号 Order NO. | 订单号 Order NO. | 订单号 Order NO. | 订单号 Order NO. |
| PVC | 1m | PMSH-M12A-10P-MM-SR8A01-00AH | PMSH-M12A-12P-MM-SR8A01-00AH | PMSH-M12A-17P-MM-SR8A01-00AH | PMSH-M12B-05P-MM-SR8A01-00AH | PMSH-M12D-04P-MM-SR8A01-00AH |
| | 3m | PMSH-M12A-10P-MM-SR8A03-00AH | PMSH-M12A-12P-MM-SR8A03-00AH | PMSH-M12A-17P-MM-SR8A03-00AH | PMSH-M12B-05P-MM-SR8A03-00AH | PMSH-M12D-04P-MM-SR8A03-00AH |
| | 5m | PMSH-M12A-10P-MM-SR8A05-00AH | PMSH-M12A-12P-MM-SR8A05-00AH | PMSH-M12A-17P-MM-SR8A05-00AH | PMSH-M12B-05P-MM-SR8A05-00AH | PMSH-M12D-04P-MM-SR8A05-00AH |
| | 定制化 Customized | | | | | |
| | PUR | 1m | PMSH-M12A-10P-MM-SR8B01-00AH | PMSH-M12A-12P-MM-SR8B01-00AH | PMSH-M12A-17P-MM-SR8B01-00AH | PMSH-M12B-05P-MM-SR8B01-00AH |
| 3m | | PMSH-M12A-10P-MM-SR8B03-00AH | PMSH-M12A-12P-MM-SR8B03-00AH | PMSH-M12A-17P-MM-SR8B03-00AH | PMSH-M12B-05P-MM-SR8B03-00AH | PMSH-M12D-04P-MM-SR8B03-00AH |
| 5m | | PMSH-M12A-10P-MM-SR8B05-00AH | PMSH-M12A-12P-MM-SR8B05-00AH | PMSH-M12A-17P-MM-SR8B05-00AH | PMSH-M12B-05P-MM-SR8B05-00AH | PMSH-M12D-04P-MM-SR8B05-00AH |
| 定制化 Customized | | | | | | |
| PVC | | 1m | PMSH-M12A-10P-MM-SR8C01-00AH | PMSH-M12A-12P-MM-SR8C01-00AH | PMSH-M12A-17P-MM-SR8C01-00AH | PMSH-M12B-05P-MM-SR8C01-00AH |
| | 3m | PMSH-M12A-10P-MM-SR8C03-00AH | PMSH-M12A-12P-MM-SR8C03-00AH | PMSH-M12A-17P-MM-SR8C03-00AH | PMSH-M12B-05P-MM-SR8C03-00AH | PMSH-M12D-04P-MM-SR8C03-00AH |
| | 5m | PMSH-M12A-10P-MM-SR8C05-00AH | PMSH-M12A-12P-MM-SR8C05-00AH | PMSH-M12A-17P-MM-SR8C05-00AH | PMSH-M12B-05P-MM-SR8C05-00AH | PMSH-M12D-04P-MM-SR8C05-00AH |
| | 定制化 Customized | | | | | |
| | PUR | 1m | PMSH-M12A-10P-MM-SR8D01-00AH | PMSH-M12A-12P-MM-SR8D01-00AH | PMSH-M12A-17P-MM-SR8D01-00AH | PMSH-M12B-05P-MM-SR8D01-00AH |
| 3m | | PMSH-M12A-10P-MM-SR8D03-00AH | PMSH-M12A-12P-MM-SR8D03-00AH | PMSH-M12A-17P-MM-SR8D03-00AH | PMSH-M12B-05P-MM-SR8D03-00AH | PMSH-M12D-04P-MM-SR8D03-00AH |
| 5m | | PMSH-M12A-10P-MM-SR8D05-00AH | PMSH-M12A-12P-MM-SR8D05-00AH | PMSH-M12A-17P-MM-SR8D05-00AH | PMSH-M12B-05P-MM-SR8D05-00AH | PMSH-M12D-04P-MM-SR8D05-00AH |
| 定制化 Customized | | | | | | |

M12 x 1 孔式成型电缆插头，单端，非屏蔽，直头。

M12 x 1 Female Overmolded with Cable Plug, Single end, Unshielded, Straight.



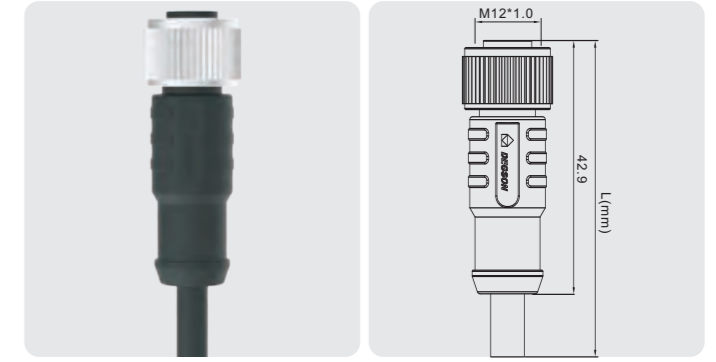
技术数据 Technical Data

| | | | |
|----------------------------|----------------------------|----------------------------------|-------------------------------|
| 标准 Standard | IEC 61076 | 端子载体材料 Contact carriers material | PU / PA |
| 系列 Series | M12, Female, Straight | 端子材料 Contact material | Copper Alloy, Gold-plated |
| Pin针数量 Number of Pins | 03,04,05,06,08,10,12,17Pin | 金属螺母 Metal of nut | Zinc Alloy with Nickel Plated |
| 额定电流 Rated Current | 4A max. | 胶圈 Seal | Silicone |
| 额定电压 Rated voltage | 250V max. | 电缆外皮材料 Cable jacket material | PUR / PVC |
| 绝缘电阻 Insulation resistance | ≥100MΩ | 屏蔽 Shielding | Unshielded |
| 接触电阻 Contact resistance | ≤5mΩ | 机械寿命 Mechanical life | > 100 mating cycles |
| 运行温度 Ambient temperature | - 25 ~ + 80°C | — | — |
| 防护等级 IP Class | IP68 | — | — |

| 针数 Number of Pins | | 03 Pin | 04 Pin | 05 Pin | 06 Pin | 08 Pin |
|--------------------|-------------------|----------------------------|------------------------------|--------------------------------------|--|--|
| 编码 Coding | 编码 Coded | A-Coded | A-Coded | A-Coded | A-Coded | A-Coded |
| | 正面图 Front View | | | | | |
| 额定电流 Rated current | A. | 4A | 4A | 4A | 2A | 2A |
| 额定电压 Rated voltage | V. | 250V | 250V | 60V | 30V | 30V |
| 电线电缆 Wire/Cable | 线规 Wire gauge | 22AWG | 22AWG | 22AWG | 24AWG | 24AWG |
| | 横截面 Cross section | 0.34mm ² | 0.34mm ² | 0.34mm ² | 0.25mm ² | 0.25mm ² |
| | 接线表 Wiring list | 1.BN 3.BU 4.BK | 1.BN 2.WH 3.BU 4.BK | 1.BN 2.WH 3.BU 4.BK 5.GY | 1.WH 2.BN 3.GN 4.YE 5.GY 6.PK 7.BU 8.RD | 1.WH 2.BN 3.GN 4.YE 5.GY 6.PK 7.BU 8.RD |
| 描述 Description | | 订单号 Order NO. | 订单号 Order NO. | 订单号 Order NO. | 订单号 Order NO. | 订单号 Order NO. |
| PVC | 1m | PM-M12A-03P-FF-SL8A01-00AH | PM-M12A-04P-FF-SL8A01-00AH | PM-M12A-05P-FF-SL8A01-00AH | PM-M12A-06P-FF-SL8A01-00AH | PM-M12A-08P-FF-SL8A01-00AH |
| | 3m | PM-M12A-03P-FF-SL8A03-00AH | PM-M12A-04P-FF-SL8A03-00AH | PM-M12A-05P-FF-SL8A03-00AH | PM-M12A-06P-FF-SL8A03-00AH | PM-M12A-08P-FF-SL8A03-00AH |
| | 5m | PM-M12A-03P-FF-SL8A05-00AH | PM-M12A-04P-FF-SL8A05-00AH | PM-M12A-05P-FF-SL8A05-00AH | PM-M12A-06P-FF-SL8A05-00AH | PM-M12A-08P-FF-SL8A05-00AH |
| | 定制化 Customized | | | | | |
| PUR | 1m | PM-M12A-03P-FF-SL8B01-00AH | PM-M12A-04P-FF-SL8B01-00AH | PM-M12A-05P-FF-SL8B01-00AH | PM-M12A-06P-FF-SL8B01-00AH | PM-M12A-08P-FF-SL8B01-00AH |
| | 3m | PM-M12A-03P-FF-SL8B03-00AH | PM-M12A-04P-FF-SL8B03-00AH | PM-M12A-05P-FF-SL8B03-00AH | PM-M12A-06P-FF-SL8B03-00AH | PM-M12A-08P-FF-SL8B03-00AH |
| | 5m | PM-M12A-03P-FF-SL8B05-00AH | PM-M12A-04P-FF-SL8B05-00AH | PM-M12A-05P-FF-SL8B05-00AH | PM-M12A-06P-FF-SL8B05-00AH | PM-M12A-08P-FF-SL8B05-00AH |
| | 定制化 Customized | | | | | |
| PVC | 1m | PM-M12A-03P-FF-SL8C01-00AH | PM-M12A-04P-FF-SL8C01-00AH | PM-M12A-05P-FF-SL8C01-00AH | PM-M12A-06P-FF-SL8C01-00AH | PM-M12A-08P-FF-SL8C01-00AH |
| | 3m | PM-M12A-03P-FF-SL8C03-00AH | PM-M12A-04P-FF-SL8C03-00AH | PM-M12A-05P-FF-SL8C03-00AH | PM-M12A-06P-FF-SL8C03-00AH | PM-M12A-08P-FF-SL8C03-00AH |
| | 5m | PM-M12A-03P-FF-SL8C05-00AH | PM-M12A-04P-FF-SL8C05-00AH | PM-M12A-05P-FF-SL8C05-00AH | PM-M12A-06P-FF-SL8C05-00AH | PM-M12A-08P-FF-SL8C05-00AH |
| | 定制化 Customized | | | | | |
| PUR | 1m | PM-M12A-03P-FF-SL8D01-00AH | PM-M12A-04P-FF-SL8D01-00AH | PM-M12A-05P-FF-SL8D01-00AH | PM-M12A-06P-FF-SL8D01-00AH | PM-M12A-08P-FF-SL8D01-00AH |
| | 3m | PM-M12A-03P-FF-SL8D03-00AH | PM-M12A-04P-FF-SL8D03-00AH | PM-M12A-05P-FF-SL8D03-00AH | PM-M12A-06P-FF-SL8D03-00AH | PM-M12A-08P-FF-SL8D03-00AH |
| | 5m | PM-M12A-03P-FF-SL8D05-00AH | PM-M12A-04P-FF-SL8D05-00AH | PM-M12A-05P-FF-SL8D05-00AH | PM-M12A-06P-FF-SL8D05-00AH | PM-M12A-08P-FF-SL8D05-00AH |
| | 定制化 Customized | | | | | |

M12 x 1 孔式成型电缆插头，单端，非屏蔽，直头。

M12 x 1 Female Overmolded with Cable Plug, Single end, Unshielded, Straight.



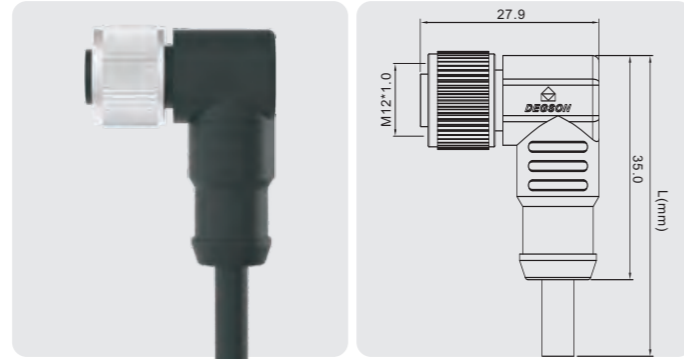
技术数据 Technical Data

| | | | |
|----------------------------|----------------------------|----------------------------------|-------------------------------|
| 标准 Standard | IEC 61076 | 端子载体材料 Contact carriers material | PU / PA |
| 系列 Series | M12, Female, Straight | 端子材料 Contact material | Copper Alloy, Gold-plated |
| Pin针数量 Number of Pins | 03,04,05,06,08,10,12,17Pin | 金属螺母 Metal of nut | Zinc Alloy with Nickel Plated |
| 额定电流 Rated Current | 4A max. | 胶圈 Seal | Silicone |
| 额定电压 Rated voltage | 250V max. | 电缆外皮材料 Cable jacket material | PUR / PVC |
| 绝缘电阻 Insulation resistance | ≥100MΩ | 屏蔽 Shielding | Unshielded |
| 接触电阻 Contact resistance | ≤5mΩ | 机械寿命 Mechanical life | > 100 mating cycles |
| 运行温度 Ambient temperature | - 25 ~ + 80°C | — | — |
| 防护等级 IP Class | IP68 | — | — |

| 针数 Number of Pins | | 10 Pin | 12 Pin | 17 Pin | 05 Pin | 04 Pin |
|--------------------|-------------------|--|---|---|--------------------------------|----------------------------|
| 编码 Coding | 编码 Coded | A-Coded | A-Coded | A-Coded | B-Coded | D-Coded |
| | 正面图 Front View | | | | | |
| 额定电流 Rated current | A. | 1.5A | 1.5A | 1.5A | 4A | 4A |
| 额定电压 Rated voltage | V. | 30V | 30V | 30V | 60V | 250V |
| 电线电缆 Wire/Cable | 线规 Wire gauge | 26AWG | 26AWG | 26AWG | 22AWG | 22AWG |
| | 横截面 Cross section | 0.14mm ² | 0.14mm ² | 0.14mm ² | 0.34mm ² | 0.34mm ² |
| | 接线表 Wiring list | 1.BN 2.BU 3.WH 4.GN 5.PK 6.YW 7.BK 8.GY 9.RD 10.VT | 1.BN 2.BU 3.WH 4.GN 5.PK 6.YW 7.BK 8.GY 9.RD 10.VT 11.GY/PK 12.RD/BU | 1.BN 2.BU 3.WH 4.GN 5.PK 6.YW 7.BK 8.GY 9.RD 10.VT 11.GY/PK 12.RD/BU 13.WH/GN 14.BN/GN 15.WH/YW 16.YW/BN 17.WH/GY | 1.BN 2.WH 3.BU 4.BK 5.GY | 1.BN 2.WH 3.BU 4.BK |
| 描述 Description | | 订单号 Order NO. | 订单号 Order NO. | 订单号 Order NO. | 订单号 Order NO. | 订单号 Order NO. |
| PVC | 1m | PM-M12A-10P-FF-SL8A01-00AH | PM-M12A-12P-FF-SL8A01-00AH | PM-M12A-17P-FF-SL8A01-00AH | PM-M12B-05P-FF-SL8A01-00AH | PM-M12D-04P-FF-SL8A01-00AH |
| | 3m | PM-M12A-10P-FF-SL8A03-00AH | PM-M12A-12P-FF-SL8A03-00AH | PM-M12A-17P-FF-SL8A03-00AH | PM-M12B-05P-FF-SL8A03-00AH | PM-M12D-04P-FF-SL8A03-00AH |
| | 5m | PM-M12A-10P-FF-SL8A05-00AH | PM-M12A-12P-FF-SL8A05-00AH | PM-M12A-17P-FF-SL8A05-00AH | PM-M12B-05P-FF-SL8A05-00AH | PM-M12D-04P-FF-SL8A05-00AH |
| | 定制化 Customized | | | | | |
| PUR | 1m | PM-M12A-10P-FF-SL8B01-00AH | PM-M12A-12P-FF-SL8B01-00AH | PM-M12A-17P-FF-SL8B01-00AH | PM-M12B-05P-FF-SL8B01-00AH | PM-M12D-04P-FF-SL8B01-00AH |
| | 3m | PM-M12A-10P-FF-SL8B03-00AH | PM-M12A-12P-FF-SL8B03-00AH | PM-M12A-17P-FF-SL8B03-00AH | PM-M12B-05P-FF-SL8B03-00AH | PM-M12D-04P-FF-SL8B03-00AH |
| | 5m | PM-M12A-10P-FF-SL8B05-00AH | PM-M12A-12P-FF-SL8B05-00AH | PM-M12A-17P-FF-SL8B05-00AH | PM-M12B-05P-FF-SL8B05-00AH | PM-M12D-04P-FF-SL8B05-00AH |
| | 定制化 Customized | | | | | |
| PVC | 1m | PM-M12A-10P-FF-SL8C01-00AH | PM-M12A-12P-FF-SL8C01-00AH | PM-M12A-17P-FF-SL8C01-00AH | PM-M12B-05P-FF-SL8C01-00AH | PM-M12D-04P-FF-SL8C01-00AH |
| | 3m | PM-M12A-10P-FF-SL8C03-00AH | PM-M12A-12P-FF-SL8C03-00AH | PM-M12A-17P-FF-SL8C03-00AH | PM-M12B-05P-FF-SL8C03-00AH | PM-M12D-04P-FF-SL8C03-00AH |
| | 5m | PM-M12A-10P-FF-SL8C05-00AH | PM-M12A-12P-FF-SL8C05-00AH | PM-M12A-17P-FF-SL8C05-00AH | PM-M12B-05P-FF-SL8C05-00AH | PM-M12D-04P-FF-SL8C05-00AH |
| | 定制化 Customized | | | | | |
| PUR | 1m | PM-M12A-10P-FF-SL8D01-00AH | PM-M12A-12P-FF-SL8D01-00AH | PM-M12A-17P-FF-SL8D01-00AH | PM-M12B-05P-FF-SL8D01-00AH | PM-M12D-04P-FF-SL8D01-00AH |
| | 3m | PM-M12A-10P-FF-SL8D03-00AH | PM-M12A-12P-FF-SL8D03-00AH | PM-M12A-17P-FF-SL8D03-00AH | PM-M12B-05P-FF-SL8D03-00AH | PM-M12D-04P-FF-SL8D03-00AH |
| | 5m | PM-M12A-10P-FF-SL8D05-00AH | PM-M12A-12P-FF-SL8D05-00AH | PM-M12A-17P-FF-SL8D05-00AH | PM-M12B-05P-FF-SL8D05-00AH | PM-M12D-04P-FF-SL8D05-00AH |
| | 定制化 Customized | | | | | |

M12 x 1 孔式成型电缆插头，单端，非屏蔽，弯头。

M12 x 1 Female Overmolded with Cable Plug, Single end, Unshielded, Angled.



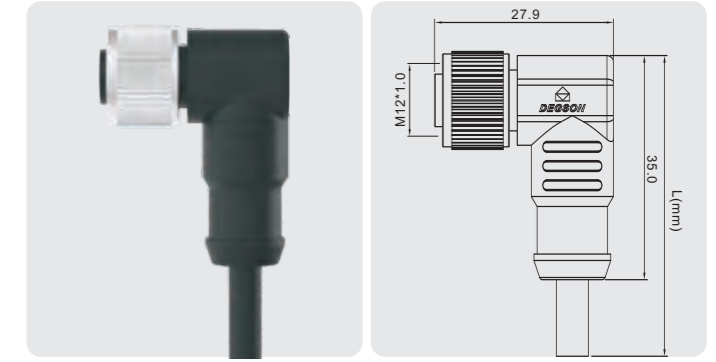
技术数据 Technical Data

| | | | |
|----------------------------|----------------------------|----------------------------------|-------------------------------|
| 标准 Standard | IEC 61076 | 端子载体材料 Contact carriers material | PU / PA |
| 系列 Series | M12, Female, Angled | 端子材料 Contact material | Copper Alloy, Gold-plated |
| Pin针数量 Number of Pins | 03,04,05,06,08,10,12,17Pin | 金属螺母 Metal of nut | Zinc Alloy with Nickel Plated |
| 额定电流 Rated Current | 4A max. | 胶圈 Seal | Silicone |
| 额定电压 Rated voltage | 250V max. | 电缆外皮材料 Cable jacket material | PUR / PVC |
| 绝缘电阻 Insulation resistance | ≥100MΩ | 屏蔽 Shielding | Unshielded |
| 接触电阻 Contact resistance | ≤5mΩ | 机械寿命 Mechanical life | > 100 mating cycles |
| 运行温度 Ambient temperature | - 25 ~ + 80°C | | |
| 防护等级 IP Class | IP68 | | |

| 针数 Number of Pins | | 03 Pin | 04 Pin | 05 Pin | 06 Pin | 08 Pin |
|--------------------|-------------------|----------------------------|------------------------------|--------------------------------------|--|----------------------------|
| 编码 Coding | 编码 Coded | A-Coded | A-Coded | A-Coded | A-Coded | A-Coded |
| | 正面图 Front View | | | | | |
| 额定电流 Rated current | A. | 4A | 4A | 4A | 2A | 2A |
| 额定电压 Rated voltage | V. | 250V | 250V | 60V | 30V | 30V |
| 电线电缆 Wire/Cable | 线规 Wire gauge | 22AWG | 22AWG | 22AWG | 24AWG | 24AWG |
| | 横截面 Cross section | 0.34mm ² | 0.34mm ² | 0.34mm ² | 0.25mm ² | 0.25mm ² |
| | 接线表 Wiring list | 1.BN 3.BU 4.BK | 1.BN 2.WH 3.BU 4.BK | 1.BN 2.WH 3.BU 4.BK 5.GY | 1.WH 2.BN 3.GN 4.YE 5.GY 6.PK 7.BU 8.RD | |
| 描述 Description | 订单号 Order NO. | 订单号 Order NO. | 订单号 Order NO. | 订单号 Order NO. | 订单号 Order NO. | 订单号 Order NO. |
| PVC | 1m | PM-M12A-03P-FF-SR8A01-00AH | PM-M12A-04P-FF-SR8A01-00AH | PM-M12A-05P-FF-SR8A01-00AH | PM-M12A-06P-FF-SR8A01-00AH | PM-M12A-08P-FF-SR8A01-00AH |
| | 3m | PM-M12A-03P-FF-SR8A03-00AH | PM-M12A-04P-FF-SR8A03-00AH | PM-M12A-05P-FF-SR8A03-00AH | PM-M12A-06P-FF-SR8A03-00AH | PM-M12A-08P-FF-SR8A03-00AH |
| | 5m | PM-M12A-03P-FF-SR8A05-00AH | PM-M12A-04P-FF-SR8A05-00AH | PM-M12A-05P-FF-SR8A05-00AH | PM-M12A-06P-FF-SR8A05-00AH | PM-M12A-08P-FF-SR8A05-00AH |
| | 定制化 Customized | | | | | |
| PUR | 1m | PM-M12A-03P-FF-SR8B01-00AH | PM-M12A-04P-FF-SR8B01-00AH | PM-M12A-05P-FF-SR8B01-00AH | PM-M12A-06P-FF-SR8B01-00AH | PM-M12A-08P-FF-SR8B01-00AH |
| | 3m | PM-M12A-03P-FF-SR8B03-00AH | PM-M12A-04P-FF-SR8B03-00AH | PM-M12A-05P-FF-SR8B03-00AH | PM-M12A-06P-FF-SR8B03-00AH | PM-M12A-08P-FF-SR8B03-00AH |
| | 5m | PM-M12A-03P-FF-SR8B05-00AH | PM-M12A-04P-FF-SR8B05-00AH | PM-M12A-05P-FF-SR8B05-00AH | PM-M12A-06P-FF-SR8B05-00AH | PM-M12A-08P-FF-SR8B05-00AH |
| | 定制化 Customized | | | | | |
| PVC | 1m | PM-M12A-03P-FF-SR8C01-00AH | PM-M12A-04P-FF-SR8C01-00AH | PM-M12A-05P-FF-SR8C01-00AH | PM-M12A-06P-FF-SR8C01-00AH | PM-M12A-08P-FF-SR8C01-00AH |
| | 3m | PM-M12A-03P-FF-SR8C03-00AH | PM-M12A-04P-FF-SR8C03-00AH | PM-M12A-05P-FF-SR8C03-00AH | PM-M12A-06P-FF-SR8C03-00AH | PM-M12A-08P-FF-SR8C03-00AH |
| | 5m | PM-M12A-03P-FF-SR8C05-00AH | PM-M12A-04P-FF-SR8C05-00AH | PM-M12A-05P-FF-SR8C05-00AH | PM-M12A-06P-FF-SR8C05-00AH | PM-M12A-08P-FF-SR8C05-00AH |
| | 定制化 Customized | | | | | |
| PUR | 1m | PM-M12A-03P-FF-SR8D01-00AH | PM-M12A-04P-FF-SR8D01-00AH | PM-M12A-05P-FF-SR8D01-00AH | PM-M12A-06P-FF-SR8D01-00AH | PM-M12A-08P-FF-SR8D01-00AH |
| | 3m | PM-M12A-03P-FF-SR8D03-00AH | PM-M12A-04P-FF-SR8D03-00AH | PM-M12A-05P-FF-SR8D03-00AH | PM-M12A-06P-FF-SR8D03-00AH | PM-M12A-08P-FF-SR8D03-00AH |
| | 5m | PM-M12A-03P-FF-SR8D05-00AH | PM-M12A-04P-FF-SR8D05-00AH | PM-M12A-05P-FF-SR8D05-00AH | PM-M12A-06P-FF-SR8D05-00AH | PM-M12A-08P-FF-SR8D05-00AH |
| | 定制化 Customized | | | | | |

M12 x 1 孔式成型电缆插头，单端，非屏蔽，弯头。

M12 x 1 Female Overmolded with Cable Plug, Single end, Unshielded, Angled.



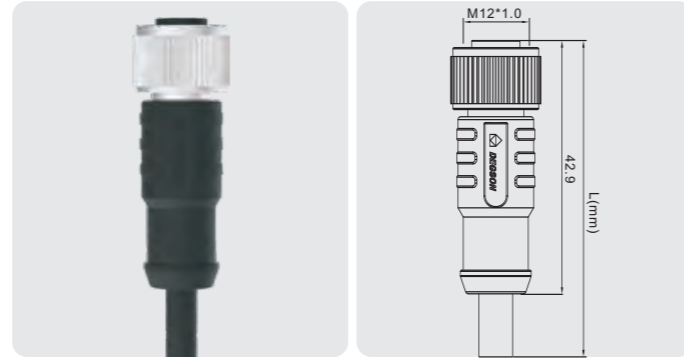
技术数据 Technical Data

| | | | |
|----------------------------|----------------------------|----------------------------------|-------------------------------|
| 标准 Standard | IEC 61076 | 端子载体材料 Contact carriers material | PU / PA |
| 系列 Series | M12, Female, Angled | 端子材料 Contact material | Copper Alloy, Gold-plated |
| Pin针数量 Number of Pins | 03,04,05,06,08,10,12,17Pin | 金属螺母 Metal of nut | Zinc Alloy with Nickel Plated |
| 额定电流 Rated Current | 4A max. | 胶圈 Seal | Silicone |
| 额定电压 Rated voltage | 250V max. | 电缆外皮材料 Cable jacket material | PUR / PVC |
| 绝缘电阻 Insulation resistance | ≥100MΩ | 屏蔽 Shielding | Unshielded |
| 接触电阻 Contact resistance | ≤5mΩ | 机械寿命 Mechanical life | > 100 mating cycles |
| 运行温度 Ambient temperature | - 25 ~ + 80°C | | |
| 防护等级 IP Class | IP68 | | |

| 针数 Number of Pins | | 10 Pin | 12 Pin | 17 Pin | 05 Pin | 04 Pin |
|--------------------|-------------------|--|---|---|--------------------------------|----------------------------|
| 编码 Coding | 编码 Coded | A-Coded | A-Coded | A-Coded | B-Coded | D-Coded |
| | 正面图 Front View | | | | | |
| 额定电流 Rated current | A. | 1.5A | 1.5A | 1.5A | 4A | 4A |
| 额定电压 Rated voltage | V. | 30V | 30V | 30V | 60V | 250V |
| 电线电缆 Wire/Cable | 线规 Wire gauge | 26AWG | 26AWG | 26AWG | 22AWG | 22AWG |
| | 横截面 Cross section | 0.14mm ² | 0.14mm ² | 0.14mm ² | 0.34mm ² | 0.34mm ² |
| | 接线表 Wiring list | 1.BN 2.BU 3.WH 4.GN 5.PK 6.YW 7.BK 8.GY 9.RD 10.VT | 1.BN 2.BU 3.WH 4.GN 5.PK 6.YW 7.BK 8.GY 9.RD 10.VT 11.GY/PK 12.RD/BU | 1.BN 2.BU 3.WH 4.GN 5.PK 6.YW 7.BK 8.GY 9.RD 10.VT 11.GY/PK 12.RD/BU 13.WH/GN 14.BN/GN 15.WH/YW 16.YW/BN 17.WH/GY | 1.BN 2.WH 3.BU 4.BK 5.GY | 1.BN 2.WH 3.BU 4.BK |
| 描述 Description | 订单号 Order NO. | 订单号 Order NO. | 订单号 Order NO. | 订单号 Order NO. | 订单号 Order NO. | 订单号 Order NO. |
| PVC | 1m | PM-M12A-10P-FF-SR8A01-00AH | PM-M12A-12P-FF-SR8A01-00AH | PM-M12A-17P-FF-SR8A01-00AH | PM-M12B-05P-FF-SR8A01-00AH | PM-M12D-04P-FF-SR8A01-00AH |
| | 3m | PM-M12A-10P-FF-SR8A03-00AH | PM-M12A-12P-FF-SR8A03-00AH | PM-M12A-17P-FF-SR8A03-00AH | PM-M12B-05P-FF-SR8A03-00AH | PM-M12D-04P-FF-SR8A03-00AH |
| | 5m | PM-M12A-10P-FF-SR8A05-00AH | PM-M12A-12P-FF-SR8A05-00AH | PM-M12A-17P-FF-SR8A05-00AH | PM-M12B-05P-FF-SR8A05-00AH | PM-M12D-04P-FF-SR8A05-00AH |
| | 定制化 Customized | | | | | |
| PUR | 1m | PM-M12A-10P-FF-SR8B01-00AH | PM-M12A-12P-FF-SR8B01-00AH | PM-M12A-17P-FF-SR8B01-00AH | PM-M12B-05P-FF-SR8B01-00AH | PM-M12D-04P-FF-SR8B01-00AH |
| | 3m | PM-M12A-10P-FF-SR8B03-00AH | PM-M12A-12P-FF-SR8B03-00AH | PM-M12A-17P-FF-SR8B03-00AH | PM-M12B-05P-FF-SR8B03-00AH | PM-M12D-04P-FF-SR8B03-00AH |
| | 5m | PM-M12A-10P-FF-SR8B05-00AH | PM-M12A-12P-FF-SR8B05-00AH | PM-M12A-17P-FF-SR8B05-00AH | PM-M12B-05P-FF-SR8B05-00AH | PM-M12D-04P-FF-SR8B05-00AH |
| | 定制化 Customized | | | | | |
| PVC | 1m | PM-M12A-10P-FF-SR8C01-00AH | PM-M12A-12P-FF-SR8C01-00AH | PM-M12A-17P-FF-SR8C01-00AH | PM-M12B-05P-FF-SR8C01-00AH | PM-M12D-04P-FF-SR8C01-00AH |
| | 3m | PM-M12A-10P-FF-SR8C03-00AH | PM-M12A-12P-FF-SR8C03-00AH | PM-M12A-17P-FF-SR8C03-00AH | PM-M12B-05P-FF-SR8C03-00AH | PM-M12D-04P-FF-SR8C03-00AH |
| | 5m | PM-M12A-10P-FF-SR8C05-00AH | PM-M12A-12P-FF-SR8C05-00AH | PM-M12A-17P-FF-SR8C05-00AH | PM-M12B-05P-FF-SR8C05-00AH | PM-M12D-04P-FF-SR8C05-00AH |
| | 定制化 Customized | | | | | |
| PUR | 1m | PM-M12A-10P-FF-SR8D01-00AH | PM-M12A-12P-FF-SR8D01-00AH | PM-M12A-17P-FF-SR8D01-00AH | PM-M12B-05P-FF-SR8D01-00AH | PM-M12D-04P-FF-SR8D01-00AH |
| | 3m | PM-M12A-10P-FF-SR8D03-00AH | PM-M12A-12P-FF-SR8D03-00AH | PM-M12A-17P-FF-SR8D03-00AH | PM-M12B-05P-FF-SR8D03-00AH | PM-M12D-04P-FF-SR8D03-00AH |
| | 5m | PM-M12A-10P-FF-SR8D05-00AH | PM-M12A-12P-FF-SR8D05-00AH | PM-M12A-17P-FF-SR8D05-00AH | PM-M12B-05P-FF-SR8D05-00AH | PM-M12D-04P-FF-SR8D05-00AH |
| | 定制化 Customized | | | | | |

M12 x 1 孔式成型电缆插头，单端，屏蔽，直头。

M12 x 1 Female Overmolded with Cable Plug, Single end, Shielded, Straight.



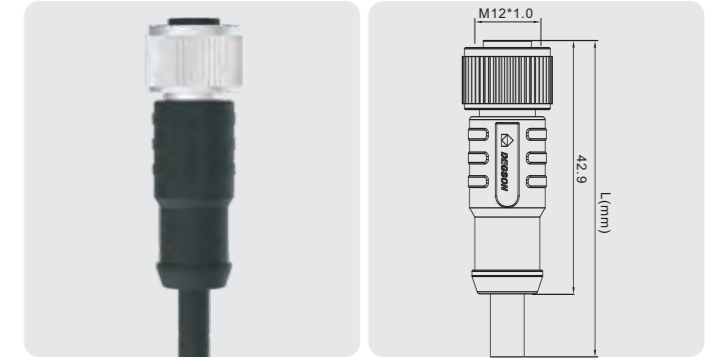
技术数据 Technical Data

| | | | |
|----------------------------|----------------------------|----------------------------------|-------------------------------|
| 标准 Standard | IEC 61076 | 端子载体材料 Contact carriers material | PA |
| 系列 Series | M12, Female, Straight | 端子材料 Contact material | Copper Alloy, Gold-plated |
| Pin针数量 Number of Pins | 03,04,05,06,08,10,12,17Pin | 金属螺母 Metal of nut | Zinc Alloy with Nickel Plated |
| 额定电流 Rated Current | 4A max. | 胶圈 Seal | Silicone |
| 额定电压 Rated voltage | 250V max. | 电缆外皮材料 Cable jacket material | PUR / PVC |
| 绝缘电阻 Insulation resistance | ≥100MΩ | 屏蔽 Shielding | Shielded |
| 接触电阻 Contact resistance | ≤5mΩ | 机械寿命 Mechanical life | > 100 mating cycles |
| 运行温度 Ambient temperature | - 25 ~ + 80°C | — | — |
| 防护等级 IP Class | IP68 | — | — |

| 针数 Number of Pins | | 03 Pin | 04 Pin | 05 Pin | 06 Pin | 08 Pin |
|--------------------|-------------------|------------------------------|------------------------------|--------------------------------------|--|--|
| 编码 Coding | 编码 Coded | A-Coded | A-Coded | A-Coded | A-Coded | A-Coded |
| | 正面图 Front View | | | | | |
| 额定电流 Rated current | A. | 4A | 4A | 4A | 2A | 2A |
| 额定电压 Rated voltage | V. | 250V | 250V | 60V | 30V | 30V |
| 电线电缆 Wire/Cable | 线规 Wire gauge | 22AWG | 22AWG | 22AWG | 24AWG | 24AWG |
| | 横截面 Cross section | 0.34mm ² | 0.34mm ² | 0.34mm ² | 0.25mm ² | 0.25mm ² |
| | 接线表 Wiring list | 1.BN 3.BU 4.BK | 1.BN 2.WH 3.BU 4.BK | 1.BN 2.WH 3.BU 4.BK 5.GY | 1.WH 2.BN 3.GN 4.YE 5.GY 6.PK 7.BU 8.RD | 1.WH 2.BN 3.GN 4.YE 5.GY 6.PK 7.BU 8.RD |
| 描述 Description | 订单号 Order NO . | 订单号 Order NO . | 订单号 Order NO . | 订单号 Order NO . | 订单号 Order NO . | 订单号 Order NO . |
| PVC | 1m | PMSH-M12A-03P-FF-SL8A01-00AH | PMSH-M12A-04P-FF-SL8A01-00AH | PMSH-M12A-05P-FF-SL8A01-00AH | PMSH-M12A-06P-FF-SL8A01-00AH | PMSH-M12A-08P-FF-SL8A01-00AH |
| | 3m | PMSH-M12A-03P-FF-SL8A03-00AH | PMSH-M12A-04P-FF-SL8A03-00AH | PMSH-M12A-05P-FF-SL8A03-00AH | PMSH-M12A-06P-FF-SL8A03-00AH | PMSH-M12A-08P-FF-SL8A03-00AH |
| | 5m | PMSH-M12A-03P-FF-SL8A05-00AH | PMSH-M12A-04P-FF-SL8A05-00AH | PMSH-M12A-05P-FF-SL8A05-00AH | PMSH-M12A-06P-FF-SL8A05-00AH | PMSH-M12A-08P-FF-SL8A05-00AH |
| | 定制化 Customized | | | | | |
| PUR | 1m | PMSH-M12A-03P-FF-SL8B01-00AH | PMSH-M12A-04P-FF-SL8B01-00AH | PMSH-M12A-05P-FF-SL8B01-00AH | PMSH-M12A-06P-FF-SL8B01-00AH | PMSH-M12A-08P-FF-SL8B01-00AH |
| | 3m | PMSH-M12A-03P-FF-SL8B03-00AH | PMSH-M12A-04P-FF-SL8B03-00AH | PMSH-M12A-05P-FF-SL8B03-00AH | PMSH-M12A-06P-FF-SL8B03-00AH | PMSH-M12A-08P-FF-SL8B03-00AH |
| | 5m | PMSH-M12A-03P-FF-SL8B05-00AH | PMSH-M12A-04P-FF-SL8B05-00AH | PMSH-M12A-05P-FF-SL8B05-00AH | PMSH-M12A-06P-FF-SL8B05-00AH | PMSH-M12A-08P-FF-SL8B05-00AH |
| | 定制化 Customized | | | | | |
| PVC | 1m | PMSH-M12A-03P-FF-SL8C01-00AH | PMSH-M12A-04P-FF-SL8C01-00AH | PMSH-M12A-05P-FF-SL8C01-00AH | PMSH-M12A-06P-FF-SL8C01-00AH | PMSH-M12A-08P-FF-SL8C01-00AH |
| | 3m | PMSH-M12A-03P-FF-SL8C03-00AH | PMSH-M12A-04P-FF-SL8C03-00AH | PMSH-M12A-05P-FF-SL8C03-00AH | PMSH-M12A-06P-FF-SL8C03-00AH | PMSH-M12A-08P-FF-SL8C03-00AH |
| | 5m | PMSH-M12A-03P-FF-SL8C05-00AH | PMSH-M12A-04P-FF-SL8C05-00AH | PMSH-M12A-05P-FF-SL8C05-00AH | PMSH-M12A-06P-FF-SL8C05-00AH | PMSH-M12A-08P-FF-SL8C05-00AH |
| | 定制化 Customized | | | | | |
| PUR | 1m | PMSH-M12A-03P-FF-SL8D01-00AH | PMSH-M12A-04P-FF-SL8D01-00AH | PMSH-M12A-05P-FF-SL8D01-00AH | PMSH-M12A-06P-FF-SL8D01-00AH | PMSH-M12A-08P-FF-SL8D01-00AH |
| | 3m | PMSH-M12A-03P-FF-SL8D03-00AH | PMSH-M12A-04P-FF-SL8D03-00AH | PMSH-M12A-05P-FF-SL8D03-00AH | PMSH-M12A-06P-FF-SL8D03-00AH | PMSH-M12A-08P-FF-SL8D03-00AH |
| | 5m | PMSH-M12A-03P-FF-SL8D05-00AH | PMSH-M12A-04P-FF-SL8D05-00AH | PMSH-M12A-05P-FF-SL8D05-00AH | PMSH-M12A-06P-FF-SL8D05-00AH | PMSH-M12A-08P-FF-SL8D05-00AH |
| | 定制化 Customized | | | | | |

M12 x 1 孔式成型电缆插头，单端，屏蔽，直头。

M12 x 1 Female Overmolded with Cable Plug, Single end, Shielded, Straight.



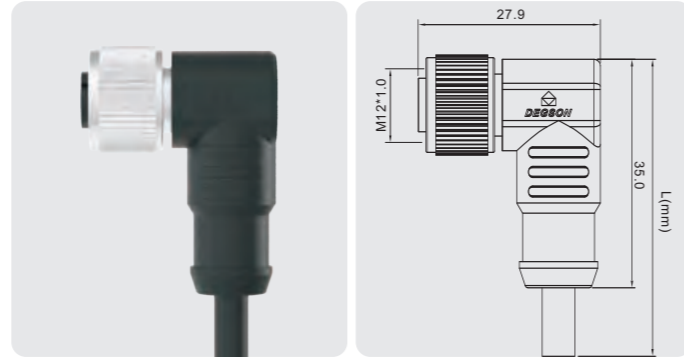
技术数据 Technical Data

| | | | |
|----------------------------|----------------------------|----------------------------------|-------------------------------|
| 标准 Standard | IEC 61076 | 端子载体材料 Contact carriers material | PA |
| 系列 Series | M12, Female, Straight | 端子材料 Contact material | Copper Alloy, Gold-plated |
| Pin针数量 Number of Pins | 03,04,05,06,08,10,12,17Pin | 金属螺母 Metal of nut | Zinc Alloy with Nickel Plated |
| 额定电流 Rated Current | 4A max. | 胶圈 Seal | Silicone |
| 额定电压 Rated voltage | 250V max. | 电缆外皮材料 Cable jacket material | PUR / PVC |
| 绝缘电阻 Insulation resistance | ≥100MΩ | 屏蔽 Shielding | Shielded |
| 接触电阻 Contact resistance | ≤5mΩ | 机械寿命 Mechanical life | > 100 mating cycles |
| 运行温度 Ambient temperature | - 25 ~ + 80°C | — | — |
| 防护等级 IP Class | IP68 | — | — |

| 针数 Number of Pins | | 10 Pin | 12 Pin | 17 Pin | 05 Pin | 04 Pin |
|--------------------|-------------------|--------------------------------------|---------------------------------------|--|---|--------------------------------------|
| 编码 Coding | 编码 Coded | A-Coded | A-Coded | A-Coded | B-Coded | D-Coded |
| | 正面图 Front View | | | | | |
| 额定电流 Rated current | A. | 1.5A | 1.5A | 1.5A | 4A | 4A |
| 额定电压 Rated voltage | V. | 30V | 30V | 30V | 60V | 250V |
| 电线电缆 Wire/Cable | 线规 Wire gauge | 26AWG | 26AWG | 26AWG | 22AWG | 22AWG |
| | 横截面 Cross section | 0.14mm ² | 0.14mm ² | 0.14mm ² | 0.34mm ² | 0.34mm ² |
| | 接线表 Wiring list | 1.BN 3.WH 5.PK 7.BK 9.RD | 2.BU 4.GN 6.YW 8.GY 10.VT | 1.BN 3.WH 5.PK 7.BK 9.RD 11.GY/PK 13.WH/GN 15.WH/YW 17.WH/GY | 2.BU 4.GN 6.YW 8.GY 10.VT 12.RD/BU 14.BN/GN 16.YW/BN | 1.BN 2.WH 3.BU 4.BK 5.GY |
| 描述 Description | 订单号 Order NO . | 订单号 Order NO . | 订单号 Order NO . | 订单号 Order NO . | 订单号 Order NO . | 订单号 Order NO . |
| PVC | 1m | PMSH-M12A-10P-FF-SL8A01-00AH | PMSH-M12A-12P-FF-SL8A01-00AH | PMSH-M12A-17P-FF-SL8A01-00AH | PMSH-M12B-05P-FF-SL8A01-00AH | PMSH-M12D-04P-FF-SL8A01-00AH |
| | 3m | PMSH-M12A-10P-FF-SL8A03-00AH | PMSH-M12A-12P-FF-SL8A03-00AH | PMSH-M12A-17P-FF-SL8A03-00AH | PMSH-M12B-05P-FF-SL8A03-00AH | PMSH-M12D-04P-FF-SL8A03-00AH |
| | 5m | PMSH-M12A-10P-FF-SL8A05-00AH | PMSH-M12A-12P-FF-SL8A05-00AH | PMSH-M12A-17P-FF-SL8A05-00AH | PMSH-M12B-05P-FF-SL8A05-00AH | PMSH-M12D-04P-FF-SL8A05-00AH |
| | 定制化 Customized | | | | | |
| PUR | 1m | PMSH-M12A-10P-FF-SL8B01-00AH | PMSH-M12A-12P-FF-SL8B01-00AH | PMSH-M12A-17P-FF-SL8B01-00AH | PMSH-M12B-05P-FF-SL8B01-00AH | PMSH-M12D-04P-FF-SL8B01-00AH |
| | 3m | PMSH-M12A-10P-FF-SL8B03-00AH | PMSH-M12A-12P-FF-SL8B03-00AH | PMSH-M12A-17P-FF-SL8B03-00AH | PMSH-M12B-05P-FF-SL8B03-00AH | PMSH-M12D-04P-FF-SL8B03-00AH |
| | 5m | PMSH-M12A-10P-FF-SL8B05-00AH | PMSH-M12A-12P-FF-SL8B05-00AH | PMSH-M12A-17P-FF-SL8B05-00AH | PMSH-M12B-05P-FF-SL8B05-00AH | PMSH-M12D-04P-FF-SL8B05-00AH |
| | 定制化 Customized | | | | | |
| PVC | 1m | PMSH-M12A-10P-FF-SL8C01-00AH | PMSH-M12A-12P-FF-SL8C01-00AH | PMSH-M12A-17P-FF-SL8C01-00AH | PMSH-M12B-05P-FF-SL8C01-00AH | PMSH-M12D-04P-FF-SL8C01-00AH |
| | 3m | PMSH-M12A-10P-FF-SL8C03-00AH | PMSH-M12A-12P-FF-SL8C03-00AH | PMSH-M12A-17P-FF-SL8C03-00AH | PMSH-M12B-05P-FF-SL8C03-00AH | PMSH-M12D-04P-FF-SL8C03-00AH |
| | 5m | PMSH-M12A-10P-FF-SL8C05-00AH | PMSH-M12A-12P-FF-SL8C05-00AH | PMSH-M12A-17P-FF-SL8C05-00AH | PMSH-M12B-05P-FF-SL8C05-00AH | PMSH-M12D-04P-FF-SL8C05-00AH |
| | 定制化 Customized | | | | | |
| PUR | 1m | PMSH-M12A-10P-FF-SL8D01-00AH | PMSH-M12A-12P-FF-SL8D01-00AH | PMSH-M12A-17P-FF-SL8D01-00AH | PMSH-M12B-05P-FF-SL8D01-00AH | PMSH-M12D-04P-FF-SL8D01-00AH |
| | 3m | PMSH-M12A-10P-FF-SL8D03-00AH | PMSH-M12A-12P-FF-SL8D03-00AH | PMSH-M12A-17P-FF-SL8D03-00AH | PMSH-M12B-05P-FF-SL8D03-00AH | PMSH-M12D-04P-FF-SL8D03-00AH |
| | 5m | PMSH-M12A-10P-FF-SL8D05-00AH | PMSH-M12A-12P-FF-SL8D05-00AH | PMSH-M12A-17P-FF-SL8D05-00AH | PMSH-M12B-05P-FF-SL8D05-00AH | PMSH-M12D-04P-FF-SL8D05-00AH |
| | 定制化 Customized | | | | | |

M12 x 1 孔式成型电缆插头，单端，屏蔽，弯头。

M12 x 1 Female Overmolded with Cable Plug, Single end, Shielded, Angled.



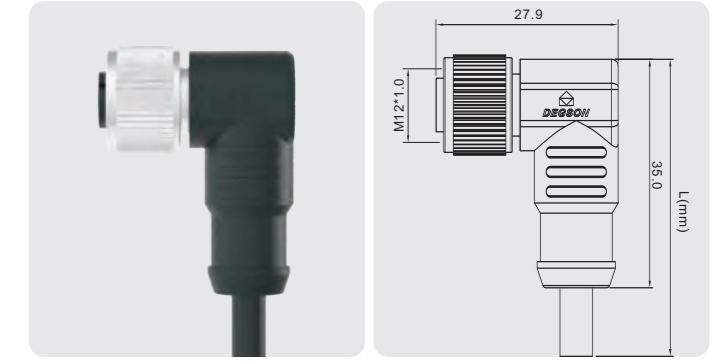
技术数据 Technical Data

| | | | |
|-------------------------------|----------------------------|-------------------------------------|-------------------------------|
| 标准 Standard | IEC 61076 | 端子载体材料 Contact carriers material | PA |
| 系列 Series | M12, Female, Angled | 端子材料 Contact material | Copper Alloy, Gold-plated |
| Pin针数量 Number of Pins | 03,04,05,06,08,10,12,17Pin | 金属螺母 Metal of nut | Zinc Alloy with Nickel Plated |
| 额定电流 Rated Current | 4A max. | 胶圈 Seal | Silicone |
| 额定电压 Rated voltage | 250V max. | 电缆外皮材料 Cable jacket material | PUR / PVC |
| 绝缘电阻 Insulation resistance | ≥100MΩ | 屏蔽 Shielding | Shielded |
| 接触电阻 Contact resistance | ≤5mΩ | 机械寿命 Mechanical life | > 100 mating cycles |
| 运行温度 Ambient temperature | - 25 ~ + 80°C | | |
| 防护等级 IP Class | IP68 | | |

| 针数 Number of Pins | 03 Pin | 04 Pin | 05 Pin | 06 Pin | 08 Pin |
|-----------------------|----------------------------------|----------------------------------|----------------------------------|--------------------------------------|--|
| 编码 Coding | A-Coded | A-Coded | A-Coded | A-Coded | A-Coded |
| 正面图 Front View | | | | | |
| 额定电流 Rated current | 4A | 4A | 4A | 2A | 2A |
| 额定电压 Rated voltage | 250V | 250V | 60V | 30V | 30V |
| 电线电缆 Wire/Cable | 线规 Wire gauge | 22AWG | 22AWG | 22AWG | 24AWG |
| | 横截面 Cross section | 0.34mm ² | 0.34mm ² | 0.34mm ² | 0.25mm ² |
| | 接线表 Wiring list | 1.BN 3.BU 4.BK | 1.BN 2.WH 3.BU 4.BK | 1.BN 2.WH 3.GN 4.YE 5.GY | 1.WH 2.BN 3.GN 4.YE 6.PK 7.BU 8.RD |
| 描述 Description | 1m 3m 5m 定制化 Customized | 1m 3m 5m 定制化 Customized | 1m 3m 5m 定制化 Customized | 1m 3m 5m 定制化 Customized | 1m 3m 5m 定制化 Customized |
| 材料 Material | PVC PUR | PVC PUR | PVC PUR | PVC PUR | PVC PUR |
| 材料 Material | PVC PUR | PVC PUR | PVC PUR | PVC PUR | PVC PUR |

M12 x 1 孔式成型电缆插头，单端，屏蔽，弯头。

M12 x 1 Female Overmolded with Cable Plug, Single end, Shielded, Angled.



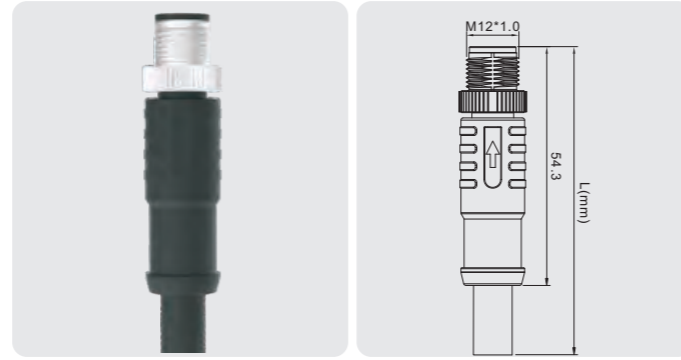
技术数据 Technical Data

| | | | |
|-------------------------------|----------------------------|-------------------------------------|-------------------------------|
| 标准 Standard | IEC 61076 | 端子载体材料 Contact carriers material | PA |
| 系列 Series | M12, Female, Angled | 端子材料 Contact material | Copper Alloy, Gold-plated |
| Pin针数量 Number of Pins | 03,04,05,06,08,10,12,17Pin | 金属螺母 Metal of nut | Zinc Alloy with Nickel Plated |
| 额定电流 Rated Current | 4A max. | 胶圈 Seal | Silicone |
| 额定电压 Rated voltage | 250V max. | 电缆外皮材料 Cable jacket material | PUR / PVC |
| 绝缘电阻 Insulation resistance | ≥100MΩ | 屏蔽 Shielding | Shielded |
| 接触电阻 Contact resistance | ≤5mΩ | 机械寿命 Mechanical life | > 100 mating cycles |
| 运行温度 Ambient temperature | - 25 ~ + 80°C | | |
| 防护等级 IP Class | IP68 | | |

| 针数 Number of Pins | 10 Pin | 12 Pin | 17 Pin | 05 Pin | 04 Pin |
|-----------------------|----------------------------------|--|---|---|--------------------------------------|
| 编码 Coding | A-Coded | A-Coded | A-Coded | B-Coded | D-Coded |
| 正面图 Front View | | | | | |
| 额定电流 Rated current | 1.5A | 1.5A | 1.5A | 4A | 4A |
| 额定电压 Rated voltage | 30V | 30V | 30V | 60V | 250V |
| 电线电缆 Wire/Cable | 线规 Wire gauge | 26AWG | 26AWG | 26AWG | 22AWG |
| | 横截面 Cross section | 0.14mm ² | 0.14mm ² | 0.14mm ² | 0.34mm ² |
| | 接线表 Wiring list | 1.BN 2.GN 3.WH 4.BU 5.PK 6.YW 7.BK 8.GY 9.RD 10.VT | 1.BN 2.BU 3.WH 4.GN 5.PK 6.YW 7.BK 8.GY 9.RD 10.VT 11.GY/PK 12.RD/BU | 1.BN 2.BU 3.WH 4.GN 5.PK 6.YW 7.BK 8.GY 9.RD 10.VT 11.GY/PK 12.RD/BU 13.WH/GN 14.BN/GN 15.WH/YW 16.YW/BN 17.WH/GY | 1.BN 2.WH 3.BU 4.BK 5.GY |
| 描述 Description | 1m 3m 5m 定制化 Customized | 1m 3m 5m 定制化 Customized | 1m 3m 5m 定制化 Customized | 1m 3m 5m 定制化 Customized | 1m 3m 5m 定制化 Customized |
| 材料 Material | PVC PUR | PVC PUR | PVC PUR | PVC PUR | PVC PUR |
| 材料 Material | PVC PUR | PVC PUR | PVC PUR | PVC PUR | PVC PUR |

M12 x 1 针式成型电缆插头，单端，非屏蔽，直头。

M12 x 1 Male Overmolded with Cable Plug, Single end, Unshielded, Straight.



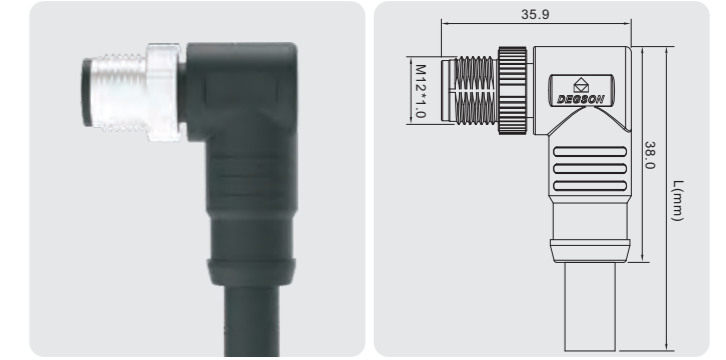
技术数据 Technical Data

| | | | |
|----------------------------|---------------------|----------------------------------|-------------------------------|
| 标准 Standard | IEC 61076 | 端子载体材料 Contact carriers material | PU |
| 系列 Series | M12, Male, Straight | 端子材料 Contact material | Copper Alloy, Gold-plated |
| Pin针数量 Number of Pins | 03,04 Pin | 金属螺母 Metal of nut | Zinc Alloy with Nickel Plated |
| 额定电流 Rated Current | 12A max. | 胶圈 Seal | Silicone |
| 额定电压 Rated voltage | 630V max. | 电缆外皮材料 Cable jacket material | PUR / PVC |
| 绝缘电阻 Insulation resistance | ≥100MΩ | 屏蔽 Shielding | Unshielded |
| 接触电阻 Contact resistance | ≤5mΩ | 机械寿命 Mechanical life | > 100 mating cycles |
| 运行温度 Ambient temperature | - 25 ~ + 80°C | — | — |
| 防护等级 IP Class | IP68 | — | — |

| 针数 Number of Pins | 03 Pin | | 04 Pin | | |
|-----------------------|----------------------|----------------------------|----------------------------|------------------------------------|------------------------------|
| | 编码 Coded | S-Coded | T-Coded | S-Coded | T-Coded |
| 编码 Coding | 正面图 Front View | | | | |
| 额定电流 Rated current | A. | 12A | 12A | 12A | 12A |
| 额定电压 Rated voltage | V. | 630V | 63V | 630V | 63V |
| 电线电缆 Wire/Cable | 线规 Wire gauge | 16AWG | 16AWG | 16AWG | 16AWG |
| | 横截面 Cross section | 1.5mm ² | 1.5mm ² | 1.5mm ² | 1.5mm ² |
| | 接线表 Wiring list | 1.BK1 3.BK3 4.YE/GN | 1.BN 3.BU 4.BK | 1.BK1 2.BK2 3.BK3 4.YE/GN | 1.BN 2.WH 3.BU 4.BK |
| 描述 Description | 订单号 Order NO. | 订单号 Order NO. | 订单号 Order NO. | 订单号 Order NO. | 订单号 Order NO. |
| PVC | 1m | PM-M12S-03P-MM-SL8A01-00AH | PM-M12T-03P-MM-SL8A01-00AH | PM-M12S-04P-MM-SL8A01-00AH | PM-M12T-04P-MM-SL8A01-00AH |
| | 3m | PM-M12S-03P-MM-SL8A03-00AH | PM-M12T-03P-MM-SL8A03-00AH | PM-M12S-04P-MM-SL8A03-00AH | PM-M12T-04P-MM-SL8A03-00AH |
| | 5m | PM-M12S-03P-MM-SL8A05-00AH | PM-M12T-03P-MM-SL8A05-00AH | PM-M12S-04P-MM-SL8A05-00AH | PM-M12T-04P-MM-SL8A05-00AH |
| | 定制化 Customized | | | | |
| PUR | 1m | PM-M12S-03P-MM-SL8B01-00AH | PM-M12T-03P-MM-SL8B01-00AH | PM-M12S-04P-MM-SL8B01-00AH | PM-M12T-04P-MM-SL8B01-00AH |
| | 3m | PM-M12S-03P-MM-SL8B03-00AH | PM-M12T-03P-MM-SL8B03-00AH | PM-M12S-04P-MM-SL8B03-00AH | PM-M12T-04P-MM-SL8B03-00AH |
| | 5m | PM-M12S-03P-MM-SL8B05-00AH | PM-M12T-03P-MM-SL8B05-00AH | PM-M12S-04P-MM-SL8B05-00AH | PM-M12T-04P-MM-SL8B05-00AH |
| | 定制化 Customized | | | | |

M12 x 1 针式成型电缆插头，单端，非屏蔽，弯头。

M12 x 1 Male Overmolded with Cable Plug, Single end, Unshielded, Angled.



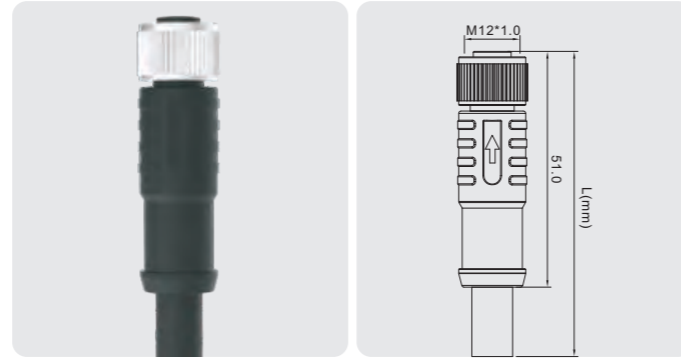
技术数据 Technical Data

| | | | |
|----------------------------|-------------------|----------------------------------|-------------------------------|
| 标准 Standard | IEC 61076 | 端子载体材料 Contact carriers material | PU |
| 系列 Series | M12, Male, Angled | 端子材料 Contact material | Copper Alloy, Gold-plated |
| Pin针数量 Number of Pins | 03,04 Pin | 金属螺母 Metal of nut | Zinc Alloy with Nickel Plated |
| 额定电流 Rated Current | 12A max. | 胶圈 Seal | Silicone |
| 额定电压 Rated voltage | 630V max. | 电缆外皮材料 Cable jacket material | PUR / PVC |
| 绝缘电阻 Insulation resistance | ≥100MΩ | 屏蔽 Shielding | Unshielded |
| 接触电阻 Contact resistance | ≤5mΩ | 机械寿命 Mechanical life | > 100 mating cycles |
| 运行温度 Ambient temperature | - 25 ~ + 80°C | — | — |
| 防护等级 IP Class | IP68 | — | — |

| 针数 Number of Pins | 03 Pin | | 04 Pin | | |
|-----------------------|----------------------|----------------------------|----------------------------|------------------------------------|------------------------------|
| | 编码 Coded | S-Coded | T-Coded | S-Coded | T-Coded |
| 编码 Coding | 正面图 Front View | | | | |
| 额定电流 Rated current | A. | 12A | 12A | 12A | 12A |
| 额定电压 Rated voltage | V. | 630V | 63V | 630V | 63V |
| 电线电缆 Wire/Cable | 线规 Wire gauge | 16AWG | 16AWG | 16AWG | 16AWG |
| | 横截面 Cross section | 1.5mm ² | 1.5mm ² | 1.5mm ² | 1.5mm ² |
| | 接线表 Wiring list | 1.BK1 3.BK3 4.YE/GN | 1.BN 3.BU 4.BK | 1.BK1 2.BK2 3.BK3 4.YE/GN | 1.BN 2.WH 3.BU 4.BK |
| 描述 Description | 订单号 Order NO. | 订单号 Order NO. | 订单号 Order NO. | 订单号 Order NO. | 订单号 Order NO. |
| PVC | 1m | PM-M12S-03P-MM-SR8A01-00AH | PM-M12T-03P-MM-SR8A01-00AH | PM-M12S-04P-MM-SR8A01-00AH | PM-M12T-04P-MM-SR8A01-00AH |
| | 3m | PM-M12S-03P-MM-SR8A03-00AH | PM-M12T-03P-MM-SR8A03-00AH | PM-M12S-04P-MM-SR8A03-00AH | PM-M12T-04P-MM-SR8A03-00AH |
| | 5m | PM-M12S-03P-MM-SR8A05-00AH | PM-M12T-03P-MM-SR8A05-00AH | PM-M12S-04P-MM-SR8A05-00AH | PM-M12T-04P-MM-SR8A05-00AH |
| | 定制化 Customized | | | | |
| PUR | 1m | PM-M12S-03P-MM-SR8B01-00AH | PM-M12T-03P-MM-SR8B01-00AH | PM-M12S-04P-MM-SR8B01-00AH | PM-M12T-04P-MM-SR8B01-00AH |
| | 3m | PM-M12S-03P-MM-SR8B03-00AH | PM-M12T-03P-MM-SR8B03-00AH | PM-M12S-04P-MM-SR8B03-00AH | PM-M12T-04P-MM-SR8B03-00AH |
| | 5m | PM-M12S-03P-MM-SR8B05-00AH | PM-M12T-03P-MM-SR8B05-00AH | PM-M12S-04P-MM-SR8B05-00AH | PM-M12T-04P-MM-SR8B05-00AH |
| | 定制化 Customized | | | | |

M12 x 1 孔式成型电缆插头，单端，非屏蔽，直头。

M12 x 1 Female Overmolded with Cable Plug, Single end, Unshielded, Straight.

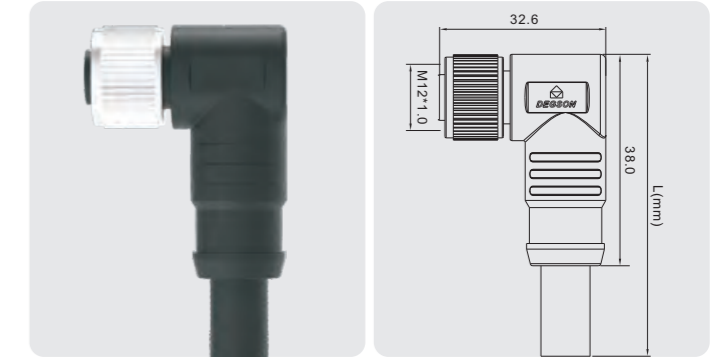

技术数据 Technical Data

| | | | |
|-------------------------------|-----------------------|-------------------------------------|-------------------------------|
| 标准 Standard | IEC 61076 | 端子载体材料 Contact carriers material | PU |
| 系列 Series | M12, Female, Straight | 端子材料 Contact material | Copper Alloy, Gold-plated |
| Pin针数量 Number of Pins | 03, 04 Pin | 金属螺母 Metal of nut | Zinc Alloy with Nickel Plated |
| 额定电流 Rated Current | 12A max. | 胶圈 Seal | Silicone |
| 额定电压 Rated voltage | 630V max. | 电缆外皮材料 Cable jacket material | PUR / PVC |
| 绝缘电阻 Insulation resistance | ≥100MΩ | 屏蔽 Shielding | Unshielded |
| 接触电阻 Contact resistance | ≤5mΩ | 机械寿命 Mechanical life | > 100 mating cycles |
| 运行温度 Ambient temperature | - 25 ~ + 80°C | — | — |
| 防护等级 IP Class | IP68 | — | — |

| 针数 Number of Pins | 03 Pin | | 04 Pin | | |
|-----------------------|----------------------|----------------------------|----------------------------|------------------------------------|------------------------------|
| | 编码 Coded | S-Coded | T-Coded | S-Coded | T-Coded |
| 编码 Coding | 正面图 Front View | | | | |
| 额定电流 Rated current | A. | 12A | 12A | 12A | 12A |
| 额定电压 Rated voltage | V. | 630V | 63V | 630V | 63V |
| 电线电缆 Wire/Cable | 线规 Wire gauge | 16AWG | 16AWG | 16AWG | 16AWG |
| | 横截面 Cross section | 1.5mm ² | 1.5mm ² | 1.5mm ² | 1.5mm ² |
| | 接线表 Wiring list | 1.BK1 3.BK3 4.YE/GN | 1.BN 3.BU 4.BK | 1.BK1 2.BK2 3.BK3 4.YE/GN | 1.BN 2.WH 3.BU 4.BK |
| 描述 Description | 订单号 Order NO. | 订单号 Order NO. | 订单号 Order NO. | 订单号 Order NO. | 订单号 Order NO. |
| PVC | 1m | PM-M12S-03P-FF-SL8A01-00AH | PM-M12T-03P-FF-SL8A01-00AH | PM-M12S-04P-FF-SL8A01-00AH | PM-M12T-04P-FF-SL8A01-00AH |
| | 3m | PM-M12S-03P-FF-SL8A03-00AH | PM-M12T-03P-FF-SL8A03-00AH | PM-M12S-04P-FF-SL8A03-00AH | PM-M12T-04P-FF-SL8A03-00AH |
| | 5m | PM-M12S-03P-FF-SL8A05-00AH | PM-M12T-03P-FF-SL8A05-00AH | PM-M12S-04P-FF-SL8A05-00AH | PM-M12T-04P-FF-SL8A05-00AH |
| | 定制化 Customized | | | | |
| PUR | 1m | PM-M12S-03P-FF-SL8B01-00AH | PM-M12T-03P-FF-SL8B01-00AH | PM-M12S-04P-FF-SL8B01-00AH | PM-M12T-04P-FF-SL8B01-00AH |
| | 3m | PM-M12S-03P-FF-SL8B03-00AH | PM-M12T-03P-FF-SL8B03-00AH | PM-M12S-04P-FF-SL8B03-00AH | PM-M12T-04P-FF-SL8B03-00AH |
| | 5m | PM-M12S-03P-FF-SL8B05-00AH | PM-M12T-03P-FF-SL8B05-00AH | PM-M12S-04P-FF-SL8B05-00AH | PM-M12T-04P-FF-SL8B05-00AH |
| | 定制化 Customized | | | | |

M12 x 1 孔式成型电缆插头，单端，非屏蔽，弯头。

M12 x 1 Female Overmolded with Cable Plug, Single end, Unshielded, Angled.

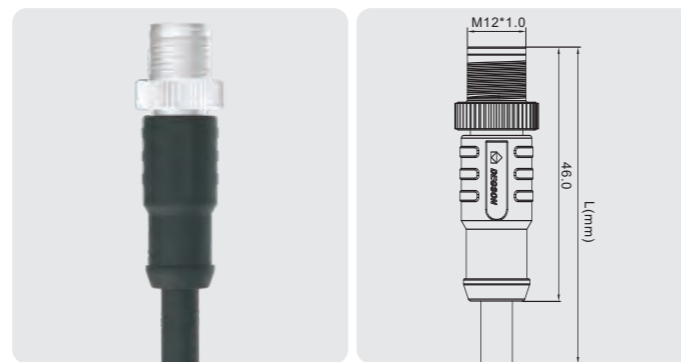

技术数据 Technical Data

| | | | |
|-------------------------------|---------------------|-------------------------------------|-------------------------------|
| 标准 Standard | IEC 61076 | 端子载体材料 Contact carriers material | PU |
| 系列 Series | M12, Female, Angled | 端子材料 Contact material | Copper Alloy, Gold-plated |
| Pin针数量 Number of Pins | 03, 04 Pin | 金属螺母 Metal of nut | Zinc Alloy with Nickel Plated |
| 额定电流 Rated Current | 12A max. | 胶圈 Seal | Silicone |
| 额定电压 Rated voltage | 630V max. | 电缆外皮材料 Cable jacket material | PUR / PVC |
| 绝缘电阻 Insulation resistance | ≥100MΩ | 屏蔽 Shielding | Unshielded |
| 接触电阻 Contact resistance | ≤5mΩ | 机械寿命 Mechanical life | > 100 mating cycles |
| 运行温度 Ambient temperature | - 25 ~ + 80°C | — | — |
| 防护等级 IP Class | IP68 | — | — |

| 针数 Number of Pins | 03 Pin | | 04 Pin | | |
|-----------------------|----------------------|----------------------------|----------------------------|------------------------------------|------------------------------|
| | 编码 Coded | S-Coded | T-Coded | S-Coded | T-Coded |
| 编码 Coding | 正面图 Front View | | | | |
| 额定电流 Rated current | A. | 12A | 12A | 12A | 12A |
| 额定电压 Rated voltage | V. | 630V | 63V | 630V | 63V |
| 电线电缆 Wire/Cable | 线规 Wire gauge | 16AWG | 16AWG | 16AWG | 16AWG |
| | 横截面 Cross section | 1.5mm ² | 1.5mm ² | 1.5mm ² | 1.5mm ² |
| | 接线表 Wiring list | 1.BK1 3.BK3 4.YE/GN | 1.BN 3.BU 4.BK | 1.BK1 2.BK2 3.BK3 4.YE/GN | 1.BN 2.WH 3.BU 4.BK |
| 描述 Description | 订单号 Order NO. | 订单号 Order NO. | 订单号 Order NO. | 订单号 Order NO. | 订单号 Order NO. |
| PVC | 1m | PM-M12S-03P-FF-SR8A01-00AH | PM-M12T-03P-FF-SR8A01-00AH | PM-M12S-04P-FF-SR8A01-00AH | PM-M12T-04P-FF-SR8A01-00AH |
| | 3m | PM-M12S-03P-FF-SR8A03-00AH | PM-M12T-03P-FF-SR8A03-00AH | PM-M12S-04P-FF-SR8A03-00AH | PM-M12T-04P-FF-SR8A03-00AH |
| | 5m | PM-M12S-03P-FF-SR8A05-00AH | PM-M12T-03P-FF-SR8A05-00AH | PM-M12S-04P-FF-SR8A05-00AH | PM-M12T-04P-FF-SR8A05-00AH |
| | 定制化 Customized | | | | |
| PUR | 1m | PM-M12S-03P-FF-SR8B01-00AH | PM-M12T-03P-FF-SR8B01-00AH | PM-M12S-04P-FF-SR8B01-00AH | PM-M12T-04P-FF-SR8B01-00AH |
| | 3m | PM-M12S-03P-FF-SR8B03-00AH | PM-M12T-03P-FF-SR8B03-00AH | PM-M12S-04P-FF-SR8B03-00AH | PM-M12T-04P-FF-SR8B03-00AH |
| | 5m | PM-M12S-03P-FF-SR8B05-00AH | PM-M12T-03P-FF-SR8B05-00AH | PM-M12S-04P-FF-SR8B05-00AH | PM-M12T-04P-FF-SR8B05-00AH |
| | 定制化 Customized | | | | |

M12 x 1 针式成型电缆插头，单端，屏蔽，直头。

M12 x 1 Male Overmolded with Cable Plug, Single end, Shielded, Straight.



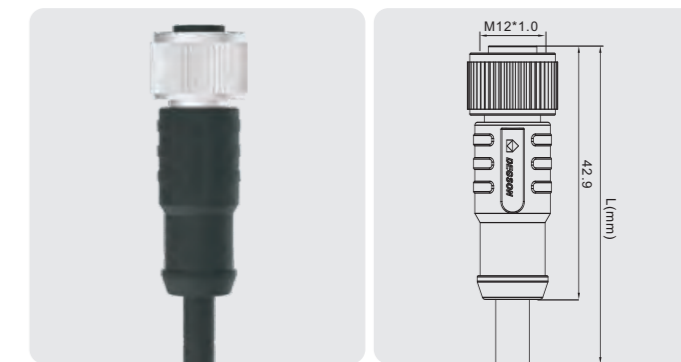
技术数据 Technical Data

| | | | |
|----------------------------|---------------------|----------------------------------|-------------------------------|
| 标准 Standard | IEC 61076 | 端子载体材料 Contact carriers material | PA |
| 系列 Series | M12, Male, Straight | 端子材料 Contact material | Copper Alloy, Gold-plated |
| Pin针数量 Number of Pins | 08 Pin | 金属螺母 Metal of nut | Zinc Alloy with Nickel Plated |
| 额定电流 Rated Current | 0.5A max. | 胶圈 Seal | Silicone |
| 额定电压 Rated voltage | 50V AC / 60V DC | 电缆外皮材料 Cable jacket material | PUR / PVC |
| 绝缘电阻 Insulation resistance | ≥100MΩ | 屏蔽 Shielding | Shielded |
| 接触电阻 Contact resistance | ≤5mΩ | 机械寿命 Mechanical life | > 100 mating cycles |
| 运行温度 Ambient temperature | - 25 ~ +75°C | — | — |
| 防护等级 IP Class | IP67 | — | — |

| 针数 Number of Pins | | 08 Pin |
|--------------------|-------------------|--|
| 编码 Coding | 编码 Coded | X-Coded |
| | 正面图 Front View | |
| 额定电流 Rated current | A. | 0.5A |
| 额定电压 Rated voltage | V. | 50V AC / 60V DC |
| 电线电缆 Wire/Cable | 线规 Wire gauge | 26AWG |
| | 横截面 Cross section | 0.14mm ² |
| | 接线表 Wiring list | 1.WH / OG 2.OG 3.WH / GN 4.GN 5.WH / BN 6.BN 7.WH / BU 8.BU |
| 描述 Description | | 订单号 Order NO. |
| CAT6A | 1m | PMSH-M12X-08P-MM-SL7X01-00AH |
| | 3m | PMSH-M12X-08P-MM-SL7X03-00AH |
| | 5m | PMSH-M12X-08P-MM-SL7X05-00AH |
| | 定制化 Customized | |

M12 x 1 孔式成型电缆插头，单端，屏蔽，直头。

M12 x 1 Female Overmolded with Cable Plug, Single end, Shielded, Straight.



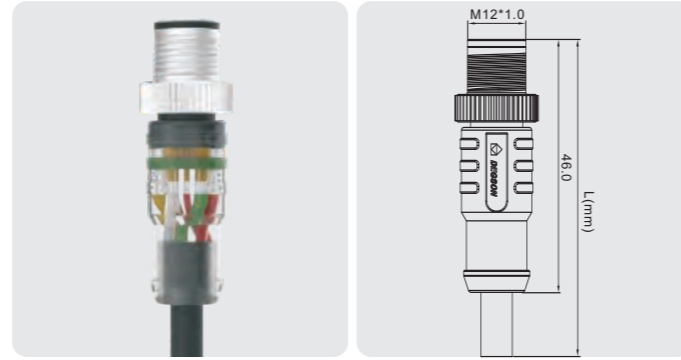
技术数据 Technical Data

| | | | |
|----------------------------|-----------------------|----------------------------------|-------------------------------|
| 标准 Standard | IEC 61076 | 端子载体材料 Contact carriers material | PA |
| 系列 Series | M12, Female, Straight | 端子材料 Contact material | Copper Alloy, Gold-plated |
| Pin针数量 Number of Pins | 08 Pin | 金属螺母 Metal of nut | Zinc Alloy with Nickel Plated |
| 额定电流 Rated Current | 0.5A max. | 胶圈 Seal | Silicone |
| 额定电压 Rated voltage | 50V AC / 60V DC | 电缆外皮材料 Cable jacket material | PUR / PVC |
| 绝缘电阻 Insulation resistance | ≥100MΩ | 屏蔽 Shielding | Shielded |
| 接触电阻 Contact resistance | ≤5mΩ | 机械寿命 Mechanical life | > 100 mating cycles |
| 运行温度 Ambient temperature | - 25 ~ +75°C | — | — |
| 防护等级 IP Class | IP67 | — | — |

| 针数 Number of Pins | | 08 Pin |
|--------------------|-------------------|--|
| 编码 Coding | 编码 Coded | X-Coded |
| | 正面图 Front View | |
| 额定电流 Rated current | A. | 0.5A |
| 额定电压 Rated voltage | V. | 50V AC / 60V DC |
| 电线电缆 Wire/Cable | 线规 Wire gauge | 26AWG |
| | 横截面 Cross section | 0.14mm ² |
| | 接线表 Wiring list | 1.WH / OG 2.OG 3.WH / GN 4.GN 5.WH / BN 6.BN 7.WH / BU 8.BU |
| 描述 Description | | 订单号 Order NO. |
| CAT6A | 1m | PMSH-M12X-08P-FF-SL7X01-00AH |
| | 3m | PMSH-M12X-08P-FF-SL7X03-00AH |
| | 5m | PMSH-M12X-08P-FF-SL7X05-00AH |
| | 定制化 Customized | |

M12 x 1 针式成型电缆插头，单端，非屏蔽，直头，LED。

M12 x 1 Male Overmolded with Cable Plug, Single end, Unshielded, Straight, LED.

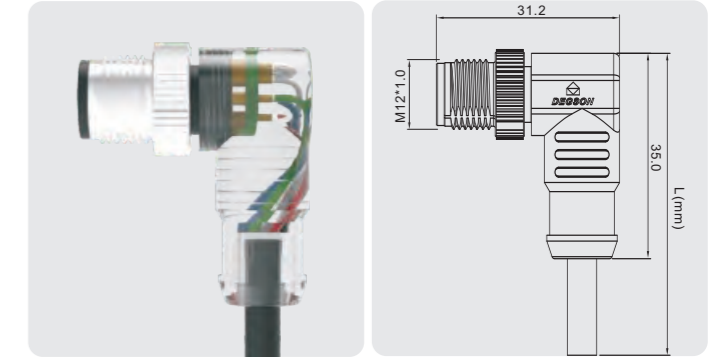

技术数据 Technical Data

| | | | |
|-------------------------------|---------------------|-------------------------------------|-------------------------------|
| 标准 Standard | IEC 61076 | 端子载体材料 Contact carriers material | PU |
| 系列 Series | M12, Male, Straight | 端子材料 Contact material | Copper Alloy, Gold-plated |
| Pin针数量 Number of Pins | 04, 05 Pin | 金属螺母 Metal of nut | Zinc Alloy with Nickel Plated |
| 额定电流 Rated Current | 4A max. | 胶圈 Seal | Silicone |
| 额定电压 Rated voltage | 250V max. | 电缆外皮材料 Cable jacket material | PUR / PVC |
| 绝缘电阻 Insulation resistance | ≥100MΩ | 屏蔽 Shielding | Unshielded |
| 接触电阻 Contact resistance | ≤5mΩ | 机械寿命 Mechanical life | > 100 mating cycles |
| 运行温度 Ambient temperature | - 25 ~ + 80°C | — | — |
| 防护等级 IP Class | IP68 | — | — |

| 针数 Number of Pins | | 04 Pin | 05 Pin |
|-----------------------|----------------------|------------------------------|--------------------------------------|
| 编码 Coding | 编码 Coded | A-Coded | A-Coded |
| | 正面图 Front View | | |
| 额定电流 Rated current | A. | 4A | 4A |
| 额定电压 Rated voltage | V. | 250V | 60V |
| 电线电缆 Wire/Cable | 线规 Wire gauge | 22AWG | 22AWG |
| | 横截面 Cross section | 0.34mm ² | 0.34mm ² |
| | 接线表 Wiring list | 1.BN 2.WH 3.BU 4.BK | 1.BN 2.WH 3.BU 4.BK 5.GY |
| 描述 Description | 订单号 Order NO. | 订单号 Order NO. | 订单号 Order NO. |
| PVC | 1m | PL-M12A-04P-MM-SL8A01-00AH | PL-M12A-05P-MM-SL8A01-00AH |
| | 3m | PL-M12A-04P-MM-SL8A03-00AH | PL-M12A-05P-MM-SL8A03-00AH |
| | 5m | PL-M12A-04P-MM-SL8A05-00AH | PL-M12A-05P-MM-SL8A05-00AH |
| | 定制化 Customized | | |
| PUR | 1m | PL-M12A-04P-MM-SL8B01-00AH | PL-M12A-05P-MM-SL8B01-00AH |
| | 3m | PL-M12A-04P-MM-SL8B03-00AH | PL-M12A-05P-MM-SL8B03-00AH |
| | 5m | PL-M12A-04P-MM-SL8B05-00AH | PL-M12A-05P-MM-SL8B05-00AH |
| | 定制化 Customized | | |

M12 x 1 针式成型电缆插头，单端，非屏蔽，弯头，LED。

M12 x 1 Male Overmolded with Cable Plug, Single end, Unshielded, Angled, LED.

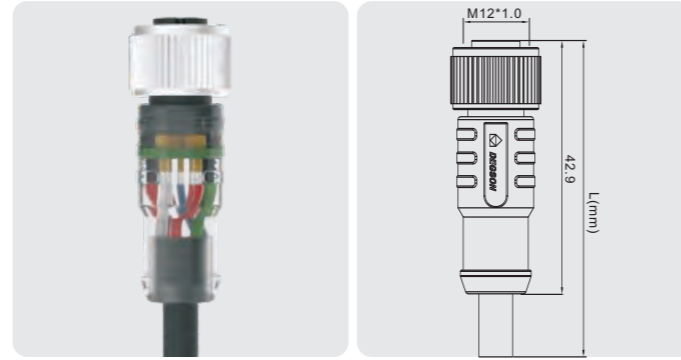

技术数据 Technical Data

| | | | |
|-------------------------------|-------------------|-------------------------------------|-------------------------------|
| 标准 Standard | IEC 61076 | 端子载体材料 Contact carriers material | PU |
| 系列 Series | M12, Male, Angled | 端子材料 Contact material | Copper Alloy, Gold-plated |
| Pin针数量 Number of Pins | 04, 05 Pin | 金属螺母 Metal of nut | Zinc Alloy with Nickel Plated |
| 额定电流 Rated Current | 4A max. | 胶圈 Seal | Silicone |
| 额定电压 Rated voltage | 250V max. | 电缆外皮材料 Cable jacket material | PUR / PVC |
| 绝缘电阻 Insulation resistance | ≥100MΩ | 屏蔽 Shielding | Unshielded |
| 接触电阻 Contact resistance | ≤5mΩ | 机械寿命 Mechanical life | > 100 mating cycles |
| 运行温度 Ambient temperature | - 25 ~ + 80°C | — | — |
| 防护等级 IP Class | IP68 | — | — |

| 针数 Number of Pins | | 04 Pin | 05 Pin |
|-----------------------|----------------------|------------------------------|--------------------------------------|
| 编码 Coding | 编码 Coded | A-Coded | A-Coded |
| | 正面图 Front View | | |
| 额定电流 Rated current | A. | 4A | 4A |
| 额定电压 Rated voltage | V. | 250V | 60V |
| 电线电缆 Wire/Cable | 线规 Wire gauge | 22AWG | 22AWG |
| | 横截面 Cross section | 0.34mm ² | 0.34mm ² |
| | 接线表 Wiring list | 1.BN 2.WH 3.BU 4.BK | 1.BN 2.WH 3.BU 4.BK 5.GY |
| 描述 Description | 订单号 Order NO. | 订单号 Order NO. | 订单号 Order NO. |
| PVC | 1m | PL-M12A-04P-MM-SR8A01-00AH | PL-M12A-05P-MM-SR8A01-00AH |
| | 3m | PL-M12A-04P-MM-SR8A03-00AH | PL-M12A-05P-MM-SR8A03-00AH |
| | 5m | PL-M12A-04P-MM-SR8A05-00AH | PL-M12A-05P-MM-SR8A05-00AH |
| | 定制化 Customized | | |
| PUR | 1m | PL-M12A-04P-MM-SR8B01-00AH | PL-M12A-05P-MM-SR8B01-00AH |
| | 3m | PL-M12A-04P-MM-SR8B03-00AH | PL-M12A-05P-MM-SR8B03-00AH |
| | 5m | PL-M12A-04P-MM-SR8B05-00AH | PL-M12A-05P-MM-SR8B05-00AH |
| | 定制化 Customized | | |

M12 x 1 孔式成型电缆插头，单端，非屏蔽，直头，LED。

M12 x 1 Female Overmolded with Cable Plug, Single end, Unshielded, Straight, LED.



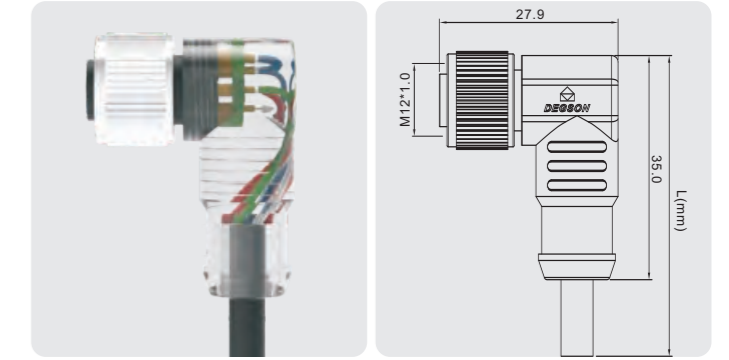
技术数据 Technical Data

| | | | |
|----------------------------|-----------------------|----------------------------------|-------------------------------|
| 标准 Standard | IEC 61076 | 端子载体材料 Contact carriers material | PU |
| 系列 Series | M12, Female, Straight | 端子材料 Contact material | Copper Alloy, Gold-plated |
| Pin针数量 Number of Pins | 04, 05 Pin | 金属螺母 Metal of nut | Zinc Alloy with Nickel Plated |
| 额定电流 Rated Current | 4A max. | 胶圈 Seal | Silicone |
| 额定电压 Rated voltage | 250V max. | 电缆外皮材料 Cable jacket material | PUR / PVC |
| 绝缘电阻 Insulation resistance | ≥100MΩ | 屏蔽 Shielding | Unshielded |
| 接触电阻 Contact resistance | ≤5mΩ | 机械寿命 Mechanical life | > 100 mating cycles |
| 运行温度 Ambient temperature | - 25 ~ + 80°C | — | — |
| 防护等级 IP Class | IP68 | — | — |

| 针数 Number of Pins | | 04 Pin | 05 Pin |
|--------------------|-------------------|------------------------------|--------------------------------------|
| 编码 Coding | 编码 Coded | A-Coded | A-Coded |
| | 正面图 Front View | | |
| 额定电流 Rated current | A. | 4A | 4A |
| 额定电压 Rated voltage | V. | 250V | 60V |
| 电线电缆 Wire/Cable | 线规 Wire gauge | 22AWG | 22AWG |
| | 横截面 Cross section | 0.34mm ² | 0.34mm ² |
| | 接线表 Wiring list | 1.BN 2.WH 3.BU 4.BK | 1.BN 2.WH 3.BU 4.BK 5.GY |
| 描述 Description | 订单号 Order NO. | 订单号 Order NO. | |
| PVC | 1m | PL-M12A-04P-FF-SL8A01-00AH | PL-M12A-05P-FF-SL8A01-00AH |
| | 3m | PL-M12A-04P-FF-SL8A03-00AH | PL-M12A-05P-FF-SL8A03-00AH |
| | 5m | PL-M12A-04P-FF-SL8A05-00AH | PL-M12A-05P-FF-SL8A05-00AH |
| | 定制化 Customized | | |
| PUR | 1m | PL-M12A-04P-FF-SL8B01-00AH | PL-M12A-05P-FF-SL8B01-00AH |
| | 3m | PL-M12A-04P-FF-SL8B03-00AH | PL-M12A-05P-FF-SL8B03-00AH |
| | 5m | PL-M12A-04P-FF-SL8B05-00AH | PL-M12A-05P-FF-SL8B05-00AH |
| | 定制化 Customized | | |

M12 x 1 孔式成型电缆插头，单端，非屏蔽，弯头，LED。

M12 x 1 Female Overmolded with Cable Plug, Single end, Unshielded, Angled, LED.



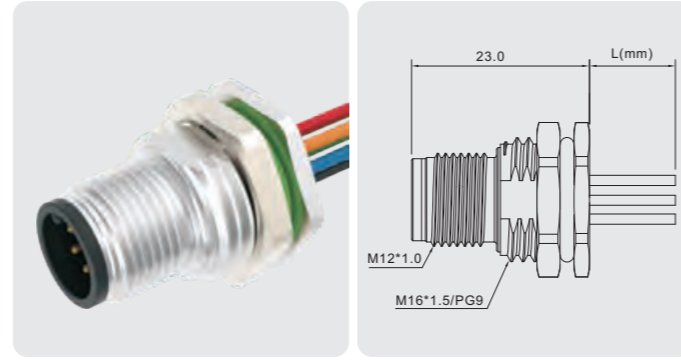
技术数据 Technical Data

| | | | |
|----------------------------|---------------------|----------------------------------|-------------------------------|
| 标准 Standard | IEC 61076 | 端子载体材料 Contact carriers material | PU |
| 系列 Series | M12, Female, Angled | 端子材料 Contact material | Copper Alloy, Gold-plated |
| Pin针数量 Number of Pins | 04, 05 Pin | 金属螺母 Metal of nut | Zinc Alloy with Nickel Plated |
| 额定电流 Rated Current | 4A max. | 胶圈 Seal | Silicone |
| 额定电压 Rated voltage | 250V max. | 电缆外皮材料 Cable jacket material | PUR / PVC |
| 绝缘电阻 Insulation resistance | ≥100MΩ | 屏蔽 Shielding | Unshielded |
| 接触电阻 Contact resistance | ≤5mΩ | 机械寿命 Mechanical life | > 100 mating cycles |
| 运行温度 Ambient temperature | - 25 ~ + 80°C | — | — |
| 防护等级 IP Class | IP68 | — | — |

| 针数 Number of Pins | | 04 Pin | 05 Pin |
|--------------------|-------------------|------------------------------|--------------------------------------|
| 编码 Coding | 编码 Coded | A-Coded | A-Coded |
| | 正面图 Front View | | |
| 额定电流 Rated current | A. | 4A | 4A |
| 额定电压 Rated voltage | V. | 250V | 60V |
| 电线电缆 Wire/Cable | 线规 Wire gauge | 22AWG | 22AWG |
| | 横截面 Cross section | 0.34mm ² | 0.34mm ² |
| | 接线表 Wiring list | 1.BN 2.WH 3.BU 4.BK | 1.BN 2.WH 3.BU 4.BK 5.GY |
| 描述 Description | 订单号 Order NO. | 订单号 Order NO. | |
| PVC | 1m | PL-M12A-04P-FF-SR8A01-00AH | PL-M12A-05P-FF-SR8A01-00AH |
| | 3m | PL-M12A-04P-FF-SR8A03-00AH | PL-M12A-05P-FF-SR8A03-00AH |
| | 5m | PL-M12A-04P-FF-SR8A05-00AH | PL-M12A-05P-FF-SR8A05-00AH |
| | 定制化 Customized | | |
| PUR | 1m | PL-M12A-04P-FF-SR8B01-00AH | PL-M12A-05P-FF-SR8B01-00AH |
| | 3m | PL-M12A-04P-FF-SR8B03-00AH | PL-M12A-05P-FF-SR8B03-00AH |
| | 5m | PL-M12A-04P-FF-SR8B05-00AH | PL-M12A-05P-FF-SR8B05-00AH |
| | 定制化 Customized | | |

M12 x 1 针式面板安装插座，板后安装，带0.5m导线。

M12 x 1 Male Panel Mount Receptacle, Rear Mounting, With 0.5m wires.



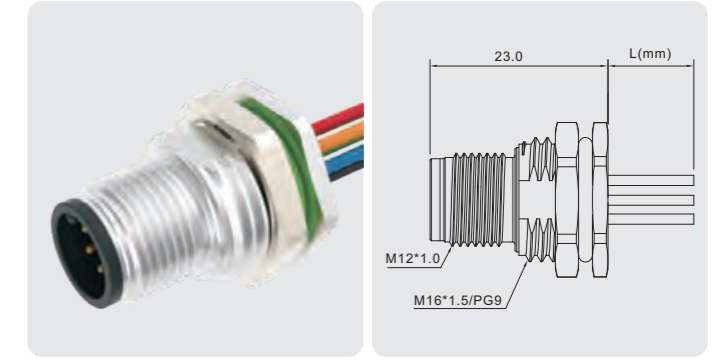
技术数据 Technical Data

| | | | |
|----------------------------|----------------------------|----------------------------------|-------------------------------|
| 标准 Standard | IEC 61076 | 端子载体材料 Contact carriers material | PA |
| 系列 Series | M12, Male | 端子材料 Contact material | Copper Alloy, Gold-plated |
| Pin针数量 Number of Pins | 03,04,05,06,08,10,12,17Pin | 金属螺母 Metal of nut | Zinc Alloy with Nickel Plated |
| 额定电流 Rated Current | 4A max. | 胶圈 Seal | Silicone |
| 额定电压 Rated voltage | 250V max. | 屏蔽 Shielding | Unshielded |
| 绝缘电阻 Insulation resistance | ≥100MΩ | 机械寿命 Mechanical life | > 100 mating cycles |
| 接触电阻 Contact resistance | ≤5mΩ | — | — |
| 运行温度 Ambient temperature | - 25 ~ + 80°C | — | — |
| 防护等级 IP Class | IP68 | — | — |

| 针数 Number of Pins | | 03 Pin | 04 Pin | 05 Pin | 06 Pin | 08 Pin |
|--------------------|-------------------|----------------------------|------------------------------|--------------------------------------|--|--|
| 编码 Coding | 编码 Coded | A-Coded | A-Coded | A-Coded | A-Coded | A-Coded |
| | 正面图 Front View | | | | | |
| 额定电流 Rated current | A. | 4A | 4A | 4A | 2A | 2A |
| 额定电压 Rated voltage | V. | 250V | 250V | 60V | 30V | 30V |
| 电线电缆 Wire/Cable | 线规 Wire gauge | 22AWG | 22AWG | 22AWG | 24AWG | 24AWG |
| | 横截面 Cross section | 0.34mm ² | 0.34mm ² | 0.34mm ² | 0.25mm ² | 0.25mm ² |
| | 接线表 Wiring list | 1.BN 3.BU 4.BK | 1.BN 2.WH 3.BU 4.BK | 1.BN 2.WH 3.BU 4.BK 5.GY | 1.WH 2.BN 3.GN 4.YE 6.PK 7.BU | 1.WH 2.BN 3.GN 4.YE 5.GY 6.PK 7.BU 8.RD |
| 描述 Description | 订单号 Order NO . | 订单号 Order NO . | 订单号 Order NO . | 订单号 Order NO . | 订单号 Order NO . | 订单号 Order NO . |
| PG9 | 0.5m | SD-M12A-03P-MM-SF8A50-00AH | SD-M12A-04P-MM-SF8A50-00AH | SD-M12A-05P-MM-SF8A50-00AH | SD-M12A-06P-MM-SF8A50-00AH | SD-M12A-08P-MM-SF8A50-00AH |
| | 定制化 Customized | | | | | |
| M16*1.5 | 0.5m | SD-M12A-03P-MM-SF8B50-00AH | SD-M12A-04P-MM-SF8B50-00AH | SD-M12A-05P-MM-SF8B50-00AH | SD-M12A-06P-MM-SF8B50-00AH | SD-M12A-08P-MM-SF8B50-00AH |
| | 定制化 Customized | | | | | |

M12 x 1 针式面板安装插座，板后安装，带0.5m导线。

M12 x 1 Male Panel Mount Receptacle, Rear Mounting, With 0.5m wires.



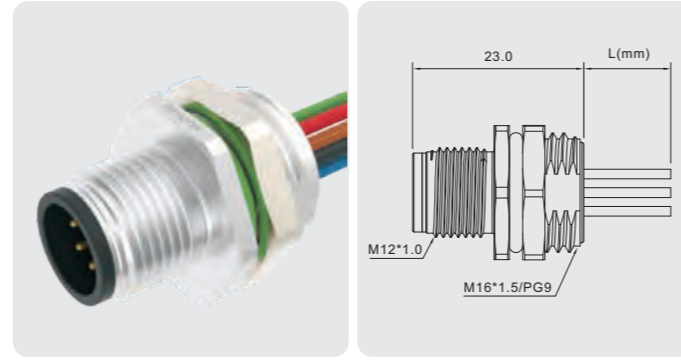
技术数据 Technical Data

| | | | |
|----------------------------|----------------------------|----------------------------------|-------------------------------|
| 标准 Standard | IEC 61076 | 端子载体材料 Contact carriers material | PA |
| 系列 Series | M12, Male | 端子材料 Contact material | Copper Alloy, Gold-plated |
| Pin针数量 Number of Pins | 03,04,05,06,08,10,12,17Pin | 金属螺母 Metal of nut | Zinc Alloy with Nickel Plated |
| 额定电流 Rated Current | 4A max. | 胶圈 Seal | Silicone |
| 额定电压 Rated voltage | 250V max. | 屏蔽 Shielding | Unshielded |
| 绝缘电阻 Insulation resistance | ≥100MΩ | 机械寿命 Mechanical life | > 100 mating cycles |
| 接触电阻 Contact resistance | ≤5mΩ | — | — |
| 运行温度 Ambient temperature | - 25 ~ + 80°C | — | — |
| 防护等级 IP Class | IP68 | — | — |

| 针数 Number of Pins | | 10 Pin | 12 Pin | 17 Pin | 05 Pin | 04 Pin |
|--------------------|-------------------|---|---|---|--------------------------------------|------------------------------|
| 编码 Coding | 编码 Coded | A-Coded | A-Coded | A-Coded | B-Coded | D-Coded |
| | 正面图 Front View | | | | | |
| 额定电流 Rated current | A. | 1.5A | 1.5A | 1.5A | 4A | 4A |
| 额定电压 Rated voltage | V. | 30V | 30V | 30V | 60V | 250V |
| 电线电缆 Wire/Cable | 线规 Wire gauge | 26AWG | 26AWG | 26AWG | 22AWG | 22AWG |
| | 横截面 Cross section | 0.14mm ² | 0.14mm ² | 0.14mm ² | 0.34mm ² | 0.34mm ² |
| | 接线表 Wiring list | 1.BN 2.BU 3.WH 4.GN 5.PK 6.YW 7.BK 8.GY 9.RD 10.VT | 1.BN 2.BU 3.WH 4.GN 5.PK 6.YW 7.BK 8.GY 9.RD 10.VT | 1.BN 2.BU 3.WH 4.GN 5.PK 6.YW 7.BK 8.GY 9.RD 10.VT 11.GY/PK 12.RD/BU | 1.BN 2.WH 3.BU 4.BK 5.GY | 1.BN 2.WH 3.BU 4.BK |
| 描述 Description | 订单号 Order NO . | 订单号 Order NO . | 订单号 Order NO . | 订单号 Order NO . | 订单号 Order NO . | 订单号 Order NO . |
| PG9 | 0.5m | SD-M12A-10P-MM-SF8A50-00AH | SD-M12A-12P-MM-SF8A50-00AH | SD-M12A-17P-MM-SF8A50-00AH | SD-M12B-05P-MM-SF8A50-00AH | SD-M12D-04P-MM-SF8A50-00AH |
| | 定制化 Customized | | | | | |
| M16*1.5 | 0.5m | SD-M12A-10P-MM-SF8B50-00AH | SD-M12A-12P-MM-SF8B50-00AH | SD-M12A-17P-MM-SF8B50-00AH | SD-M12B-05P-MM-SF8B50-00AH | SD-M12D-04P-MM-SF8B50-00AH |
| | 定制化 Customized | | | | | |

M12 x 1 针式面板安装插座，板前安装，带0.5m导线。

M12 x 1 Male Panel Mount Receptacle, Front Mounting, With 0.5m wires.



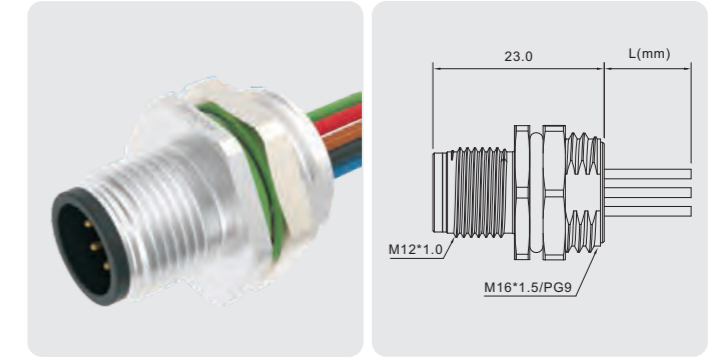
技术数据 Technical Data

| | | | |
|----------------------------|----------------------------|----------------------------------|-------------------------------|
| 标准 Standard | IEC 61076 | 端子载体材料 Contact carriers material | PA |
| 系列 Series | M12, Male | 端子材料 Contact material | Copper Alloy, Gold-plated |
| Pin针数量 Number of Pins | 03,04,05,06,08,10,12,17Pin | 金属螺母 Metal of nut | Zinc Alloy with Nickel Plated |
| 额定电流 Rated Current | 4A max. | 胶圈 Seal | Silicone |
| 额定电压 Rated voltage | 250V max. | 屏蔽 Shielding | Unshielded |
| 绝缘电阻 Insulation resistance | ≥100MΩ | 机械寿命 Mechanical life | > 100 mating cycles |
| 接触电阻 Contact resistance | ≤5mΩ | | — |
| 运行温度 Ambient temperature | - 25 ~ + 80°C | | — |
| 防护等级 IP Class | IP68 | | — |

| 针数 Number of Pins | | 03 Pin | 04 Pin | 05 Pin | 06 Pin | 08 Pin |
|--------------------|-------------------|----------------------------|------------------------------|--------------------------------------|--|--|
| 编码 Coding | 编码 Coded | A-Coded | A-Coded | A-Coded | A-Coded | A-Coded |
| | 正面图 Front View | | | | | |
| 额定电流 Rated current | A. | 4A | 4A | 4A | 2A | 2A |
| 额定电压 Rated voltage | V. | 250V | 250V | 60V | 30V | 30V |
| 电线电缆 Wire/Cable | 线规 Wire gauge | 22AWG | 22AWG | 22AWG | 24AWG | 24AWG |
| | 横截面 Cross section | 0.34mm ² | 0.34mm ² | 0.34mm ² | 0.25mm ² | 0.25mm ² |
| | 接线表 Wiring list | 1.BN 3.BU 4.BK | 1.BN 2.WH 3.BU 4.BK | 1.BN 2.WH 3.BU 4.BK 5.GY | 1.WH 2.BN 3.GN 4.YE 6.PK 7.BU | 1.WH 2.BN 3.GN 4.YE 5.GY 6.PK 7.BU 8.RD |
| 描述 Description | 订单号 Order NO . | 订单号 Order NO . | 订单号 Order NO . | 订单号 Order NO . | 订单号 Order NO . | 订单号 Order NO . |
| PG9 | 0.5m | SD-M12A-03P-MM-SH8A50-00AH | SD-M12A-04P-MM-SH8A50-00AH | SD-M12A-05P-MM-SH8A50-00AH | SD-M12A-06P-MM-SH8A50-00AH | SD-M12A-08P-MM-SH8A50-00AH |
| | 定制化 Customized | | | | | |
| M16*1.5 | 0.5m | SD-M12A-03P-MM-SH8B50-00AH | SD-M12A-04P-MM-SH8B50-00AH | SD-M12A-05P-MM-SH8B50-00AH | SD-M12A-06P-MM-SH8B50-00AH | SD-M12A-08P-MM-SH8B50-00AH |
| | 定制化 Customized | | | | | |

M12 x 1 针式面板安装插座，板前安装，带0.5m导线。

M12 x 1 Male Panel Mount Receptacle, Front Mounting, With 0.5m wires.



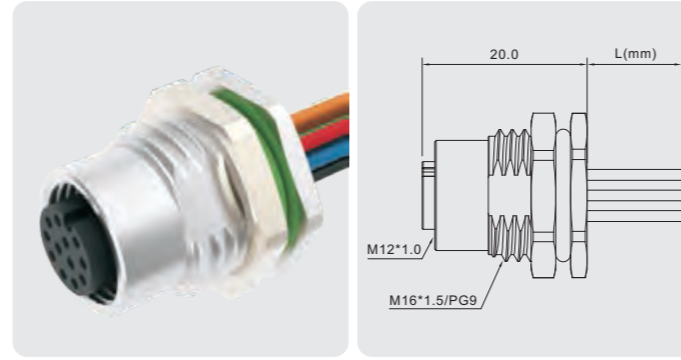
技术数据 Technical Data

| | | | |
|----------------------------|----------------------------|----------------------------------|-------------------------------|
| 标准 Standard | IEC 61076 | 端子载体材料 Contact carriers material | PA |
| 系列 Series | M12, Male | 端子材料 Contact material | Copper Alloy, Gold-plated |
| Pin针数量 Number of Pins | 03,04,05,06,08,10,12,17Pin | 金属螺母 Metal of nut | Zinc Alloy with Nickel Plated |
| 额定电流 Rated Current | 4A max. | 胶圈 Seal | Silicone |
| 额定电压 Rated voltage | 250V max. | 屏蔽 Shielding | Unshielded |
| 绝缘电阻 Insulation resistance | ≥100MΩ | 机械寿命 Mechanical life | > 100 mating cycles |
| 接触电阻 Contact resistance | ≤5mΩ | | — |
| 运行温度 Ambient temperature | - 25 ~ + 80°C | | — |
| 防护等级 IP Class | IP68 | | — |

| 针数 Number of Pins | | 10 Pin | 12 Pin | 17 Pin | 05 Pin | 04 Pin |
|--------------------|-------------------|---|---|---|--------------------------------------|------------------------------|
| 编码 Coding | 编码 Coded | A-Coded | A-Coded | A-Coded | B-Coded | D-Coded |
| | 正面图 Front View | | | | | |
| 额定电流 Rated current | A. | 1.5A | 1.5A | 1.5A | 4A | 4A |
| 额定电压 Rated voltage | V. | 30V | 30V | 30V | 60V | 250V |
| 电线电缆 Wire/Cable | 线规 Wire gauge | 26AWG | 26AWG | 26AWG | 22AWG | 22AWG |
| | 横截面 Cross section | 0.14mm ² | 0.14mm ² | 0.14mm ² | 0.34mm ² | 0.34mm ² |
| | 接线表 Wiring list | 1.BN 2.BU 3.WH 4.GN 5.PK 6.YW 7.BK 8.GY 9.RD 10.VT | 1.BN 2.BU 3.WH 4.GN 5.PK 6.YW 7.BK 8.GY 9.RD 10.VT | 1.BN 2.BU 3.WH 4.GN 5.PK 6.YW 7.BK 8.GY 9.RD 10.VT 11.GY/PK 12.RD/BU | 1.BN 2.WH 3.BU 4.BK 5.GY | 1.BN 2.WH 3.BU 4.BK |
| 描述 Description | 订单号 Order NO . | 订单号 Order NO . | 订单号 Order NO . | 订单号 Order NO . | 订单号 Order NO . | 订单号 Order NO . |
| PG9 | 0.5m | SD-M12A-10P-MM-SH8A50-00AH | SD-M12A-12P-MM-SH8A50-00AH | SD-M12A-17P-MM-SH8A50-00AH | SD-M12B-05P-MM-SH8A50-00AH | SD-M12D-04P-MM-SH8A50-00AH |
| | 定制化 Customized | | | | | |
| M16*1.5 | 0.5m | SD-M12A-10P-MM-SH8B50-00AH | SD-M12A-12P-MM-SH8B50-00AH | SD-M12A-17P-MM-SH8B50-00AH | SD-M12B-05P-MM-SH8B50-00AH | SD-M12D-04P-MM-SH8B50-00AH |
| | 定制化 Customized | | | | | |

M12 x 1 孔式面板安装插座，板后安装，带0.5m导线。

M12 x 1 Female Panel Mount Receptacle, Rear Mounting, With 0.5m wires.



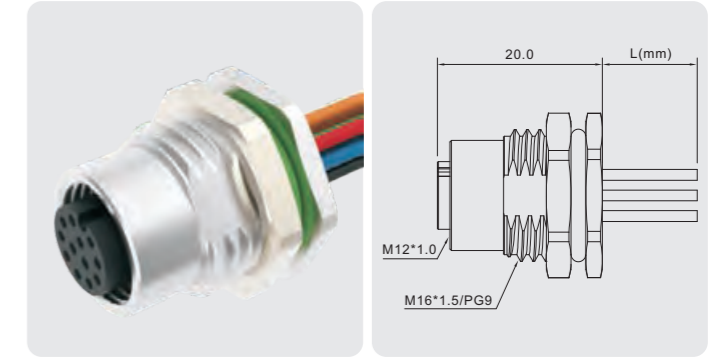
技术数据 Technical Data

| | | | |
|----------------------------|----------------------------|----------------------------------|-------------------------------|
| 标准 Standard | IEC 61076 | 端子载体材料 Contact carriers material | PA |
| 系列 Series | M12, Female | 端子材料 Contact material | Copper Alloy, Gold-plated |
| Pin针数量 Number of Pins | 03,04,05,06,08,10,12,17Pin | 金属螺母 Metal of nut | Zinc Alloy with Nickel Plated |
| 额定电流 Rated Current | 4A max. | 胶圈 Seal | Silicone |
| 额定电压 Rated voltage | 250V max. | 屏蔽 Shielding | Unshielded |
| 绝缘电阻 Insulation resistance | ≥100MΩ | 机械寿命 Mechanical life | > 100 mating cycles |
| 接触电阻 Contact resistance | ≤5mΩ | | |
| 运行温度 Ambient temperature | - 25 ~ + 80°C | | |
| 防护等级 IP Class | IP68 | | |

| 针数 Number of Pins | | 03 Pin | 04 Pin | 05 Pin | 06 Pin | 08 Pin |
|--------------------|-------------------|----------------------------|------------------------------|--------------------------------------|--|--|
| 编码 Coding | 编码 Coded | A-Coded | A-Coded | A-Coded | A-Coded | A-Coded |
| | 正面图 Front View | | | | | |
| 额定电流 Rated current | A. | 4A | 4A | 4A | 2A | 2A |
| 额定电压 Rated voltage | V. | 250V | 250V | 60V | 30V | 30V |
| 电线电缆 Wire/Cable | 线规 Wire gauge | 22AWG | 22AWG | 22AWG | 24AWG | 24AWG |
| | 横截面 Cross section | 0.34mm ² | 0.34mm ² | 0.34mm ² | 0.25mm ² | 0.25mm ² |
| | 接线表 Wiring list | 1.BN 3.BU 4.BK | 1.BN 2.WH 3.BU 4.BK | 1.BN 2.WH 3.BU 4.BK 5.GY | 1.WH 2.BN 3.GN 4.YE 6.PK 7.BU | 1.WH 2.BN 3.GN 4.YE 5.GY 6.PK 7.BU 8.RD |
| 描述 Description | 订单号 Order NO . | 订单号 Order NO . | 订单号 Order NO . | 订单号 Order NO . | 订单号 Order NO . | 订单号 Order NO . |
| PG9 | 0.5m | SD-M12A-03P-FF-SF8A50-00AH | SD-M12A-04P-FF-SF8A50-00AH | SD-M12A-05P-FF-SF8A50-00AH | SD-M12A-06P-FF-SF8A50-00AH | SD-M12A-08P-FF-SF8A50-00AH |
| | 定制化 Customized | | | | | |
| M16*1.5 | 0.5m | SD-M12A-03P-FF-SF8B50-00AH | SD-M12A-04P-FF-SF8B50-00AH | SD-M12A-05P-FF-SF8B50-00AH | SD-M12A-06P-FF-SF8B50-00AH | SD-M12A-08P-FF-SF8B50-00AH |
| | 定制化 Customized | | | | | |

M12 x 1 孔式面板安装插座，板后安装，带0.5m导线。

M12 x 1 Female Panel Mount Receptacle, Rear Mounting, With 0.5m wires.



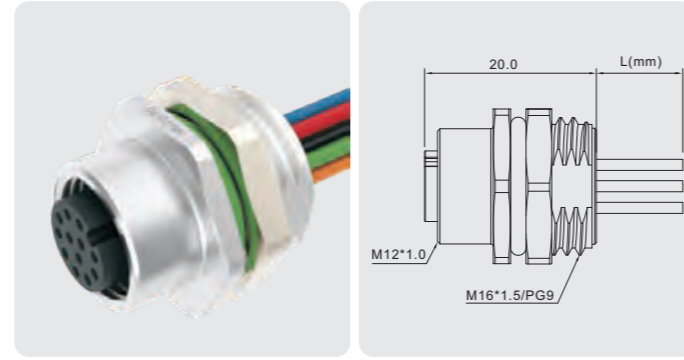
技术数据 Technical Data

| | | | |
|----------------------------|----------------------------|----------------------------------|-------------------------------|
| 标准 Standard | IEC 61076 | 端子载体材料 Contact carriers material | PA |
| 系列 Series | M12, Female | 端子材料 Contact material | Copper Alloy, Gold-plated |
| Pin针数量 Number of Pins | 03,04,05,06,08,10,12,17Pin | 金属螺母 Metal of nut | Zinc Alloy with Nickel Plated |
| 额定电流 Rated Current | 4A max. | 胶圈 Seal | Silicone |
| 额定电压 Rated voltage | 250V max. | 屏蔽 Shielding | Unshielded |
| 绝缘电阻 Insulation resistance | ≥100MΩ | 机械寿命 Mechanical life | > 100 mating cycles |
| 接触电阻 Contact resistance | ≤5mΩ | | |
| 运行温度 Ambient temperature | - 25 ~ + 80°C | | |
| 防护等级 IP Class | IP68 | | |

| 针数 Number of Pins | | 10 Pin | 12 Pin | 17 Pin | 05 Pin | 04 Pin |
|--------------------|-------------------|---|---|---|--------------------------------------|------------------------------|
| 编码 Coding | 编码 Coded | A-Coded | A-Coded | A-Coded | B-Coded | D-Coded |
| | 正面图 Front View | | | | | |
| 额定电流 Rated current | A. | 1.5A | 1.5A | 1.5A | 4A | 4A |
| 额定电压 Rated voltage | V. | 30V | 30V | 30V | 60V | 250V |
| 电线电缆 Wire/Cable | 线规 Wire gauge | 26AWG | 26AWG | 26AWG | 22AWG | 22AWG |
| | 横截面 Cross section | 0.14mm ² | 0.14mm ² | 0.14mm ² | 0.34mm ² | 0.34mm ² |
| | 接线表 Wiring list | 1.BN 2.BU 3.WH 4.GN 5.PK 6.YW 7.BK 8.GY 9.RD 10.VT | 1.BN 2.BU 3.WH 4.GN 5.PK 6.YW 7.BK 8.GY 9.RD 10.VT | 1.BN 2.BU 3.WH 4.GN 5.PK 6.YW 7.BK 8.GY 9.RD 10.VT 11.GY/PK 12.RD/BU 13.WH/GN 14.BN/GN 15.WH/YW 16.YW/BN 17.WH/GY | 1.BN 2.WH 3.BU 4.BK 5.GY | 1.BN 2.WH 3.BU 4.BK |
| 描述 Description | 订单号 Order NO . | 订单号 Order NO . | 订单号 Order NO . | 订单号 Order NO . | 订单号 Order NO . | 订单号 Order NO . |
| PG9 | 0.5m | SD-M12A-10P-FF-SF8A50-00AH | SD-M12A-12P-FF-SF8A50-00AH | SD-M12A-17P-FF-SF8A50-00AH | SD-M12B-05P-FF-SF8A50-00AH | SD-M12D-04P-FF-SF8A50-00AH |
| | 定制化 Customized | | | | | |
| M16*1.5 | 0.5m | SD-M12A-10P-FF-SF8B50-00AH | SD-M12A-12P-FF-SF8B50-00AH | SD-M12A-17P-FF-SF8B50-00AH | SD-M12B-05P-FF-SF8B50-00AH | SD-M12D-04P-FF-SF8B50-00AH |
| | 定制化 Customized | | | | | |

M12 x 1 孔式面板安装插座，板前安装，带0.5m导线。

M12 x 1 Female Panel Mount Receptacle, Front Mounting, With 0.5m wires.



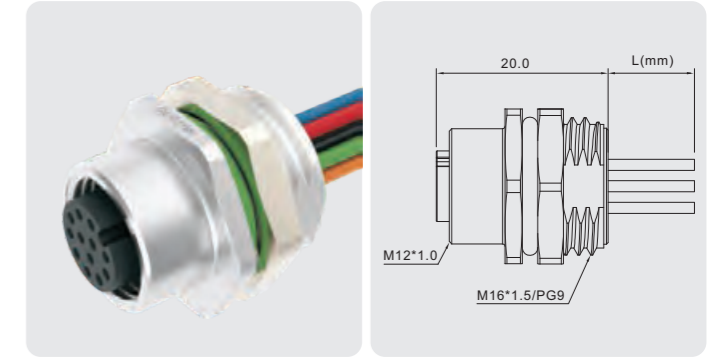
技术数据 Technical Data

| | | | |
|----------------------------|----------------------------|----------------------------------|-------------------------------|
| 标准 Standard | IEC 61076 | 端子载体材料 Contact carriers material | PA |
| 系列 Series | M12, Female | 端子材料 Contact material | Copper Alloy, Gold-plated |
| Pin针数量 Number of Pins | 03,04,05,06,08,10,12,17Pin | 金属螺母 Metal of nut | Zinc Alloy with Nickel Plated |
| 额定电流 Rated Current | 4A max. | 胶圈 Seal | Silicone |
| 额定电压 Rated voltage | 250V max. | 屏蔽 Shielding | Unshielded |
| 绝缘电阻 Insulation resistance | ≥100MΩ | 机械寿命 Mechanical life | > 100 mating cycles |
| 接触电阻 Contact resistance | ≤5mΩ | | — |
| 运行温度 Ambient temperature | - 25 ~ + 80°C | | — |
| 防护等级 IP Class | IP68 | | — |

| 针数 Number of Pins | | 03 Pin | 04 Pin | 05 Pin | 06 Pin | 08 Pin |
|--------------------|-------------------|----------------------------|------------------------------|--------------------------------------|--|--|
| 编码 Coding | 编码 Coded | A-Coded | A-Coded | A-Coded | A-Coded | A-Coded |
| | 正面图 Front View | | | | | |
| 额定电流 Rated current | A. | 4A | 4A | 4A | 2A | 2A |
| 额定电压 Rated voltage | V. | 250V | 250V | 60V | 30V | 30V |
| 电线电缆 Wire/Cable | 线规 Wire gauge | 22AWG | 22AWG | 22AWG | 24AWG | 24AWG |
| | 横截面 Cross section | 0.34mm ² | 0.34mm ² | 0.34mm ² | 0.25mm ² | 0.25mm ² |
| | 接线表 Wiring list | 1.BN 3.BU 4.BK | 1.BN 2.WH 3.BU 4.BK | 1.BN 2.WH 3.BU 4.BK 5.GY | 1.WH 2.BN 3.GN 4.YE 6.PK 7.BU | 1.WH 2.BN 3.GN 4.YE 5.GY 6.PK 7.BU 8.RD |
| 描述 Description | 订单号 Order NO . | 订单号 Order NO . | 订单号 Order NO . | 订单号 Order NO . | 订单号 Order NO . | 订单号 Order NO . |
| PG9 | 0.5m | SD-M12A-03P-FF-SH8A50-00AH | SD-M12A-04P-FF-SH8A50-00AH | SD-M12A-05P-FF-SH8A50-00AH | SD-M12A-06P-FF-SH8A50-00AH | SD-M12A-08P-FF-SH8A50-00AH |
| | 定制化 Customized | | | | | |
| M16*1.5 | 0.5m | SD-M12A-03P-FF-SH8B50-00AH | SD-M12A-04P-FF-SH8B50-00AH | SD-M12A-05P-FF-SH8B50-00AH | SD-M12A-06P-FF-SH8B50-00AH | SD-M12A-08P-FF-SH8B50-00AH |
| | 定制化 Customized | | | | | |

M12 x 1 孔式面板安装插座，板前安装，带0.5m导线。

M12 x 1 Female Panel Mount Receptacle, Front Mounting, With 0.5m wires.



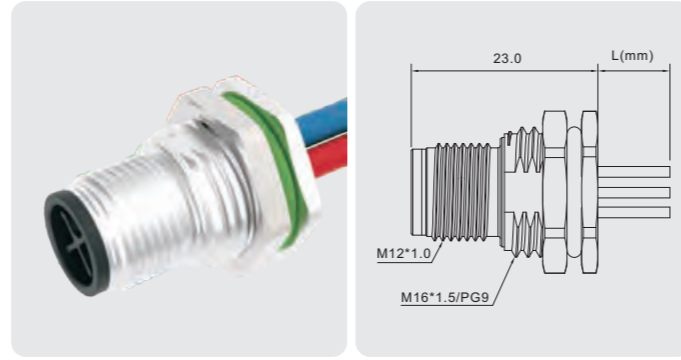
技术数据 Technical Data

| | | | |
|----------------------------|----------------------------|----------------------------------|-------------------------------|
| 标准 Standard | IEC 61076 | 端子载体材料 Contact carriers material | PA |
| 系列 Series | M12, Female | 端子材料 Contact material | Copper Alloy, Gold-plated |
| Pin针数量 Number of Pins | 03,04,05,06,08,10,12,17Pin | 金属螺母 Metal of nut | Zinc Alloy with Nickel Plated |
| 额定电流 Rated Current | 4A max. | 胶圈 Seal | Silicone |
| 额定电压 Rated voltage | 250V max. | 屏蔽 Shielding | Unshielded |
| 绝缘电阻 Insulation resistance | ≥100MΩ | 机械寿命 Mechanical life | > 100 mating cycles |
| 接触电阻 Contact resistance | ≤5mΩ | | — |
| 运行温度 Ambient temperature | - 25 ~ + 80°C | | — |
| 防护等级 IP Class | IP68 | | — |

| 针数 Number of Pins | | 10 Pin | 12 Pin | 17 Pin | 05 Pin | 04 Pin |
|--------------------|-------------------|---|---|---|--------------------------------------|------------------------------|
| 编码 Coding | 编码 Coded | A-Coded | A-Coded | A-Coded | B-Coded | D-Coded |
| | 正面图 Front View | | | | | |
| 额定电流 Rated current | A. | 1.5A | 1.5A | 1.5A | 4A | 4A |
| 额定电压 Rated voltage | V. | 30V | 30V | 30V | 60V | 250V |
| 电线电缆 Wire/Cable | 线规 Wire gauge | 26AWG | 26AWG | 26AWG | 22AWG | 22AWG |
| | 横截面 Cross section | 0.14mm ² | 0.14mm ² | 0.14mm ² | 0.34mm ² | 0.34mm ² |
| | 接线表 Wiring list | 1.BN 2.BU 3.WH 4.GN 5.PK 6.YW 7.BK 8.GY 9.RD 10.VT | 1.BN 2.BU 3.WH 4.GN 5.PK 6.YW 7.BK 8.GY 9.RD 10.VT | 1.BN 2.BU 3.WH 4.GN 5.PK 6.YW 7.BK 8.GY 9.RD 10.VT 11.GY/PK 12.RD/BU 13.WH/GN 14.BN/GN 15.WH/YW 16.YW/BN 17.WH/GY | 1.BN 2.WH 3.BU 4.BK 5.GY | 1.BN 2.WH 3.BU 4.BK |
| 描述 Description | 订单号 Order NO . | 订单号 Order NO . | 订单号 Order NO . | 订单号 Order NO . | 订单号 Order NO . | 订单号 Order NO . |
| PG9 | 0.5m | SD-M12A-10P-FF-SH8A50-00AH | SD-M12A-12P-FF-SH8A50-00AH | SD-M12A-17P-FF-SH8A50-00AH | SD-M12B-05P-FF-SH8A50-00AH | SD-M12D-04P-FF-SH8A50-00AH |
| | 定制化 Customized | | | | | |
| M16*1.5 | 0.5m | SD-M12A-10P-FF-SH8B50-00AH | SD-M12A-12P-FF-SH8B50-00AH | SD-M12A-17P-FF-SH8B50-00AH | SD-M12B-05P-FF-SH8B50-00AH | SD-M12D-04P-FF-SH8B50-00AH |
| | 定制化 Customized | | | | | |

M12 x 1 针式面板安装插座，板后安装，带0.5m导线。

M12 x 1 Male Panel Mount Receptacle, Rear Mounting, With 0.5m wires.



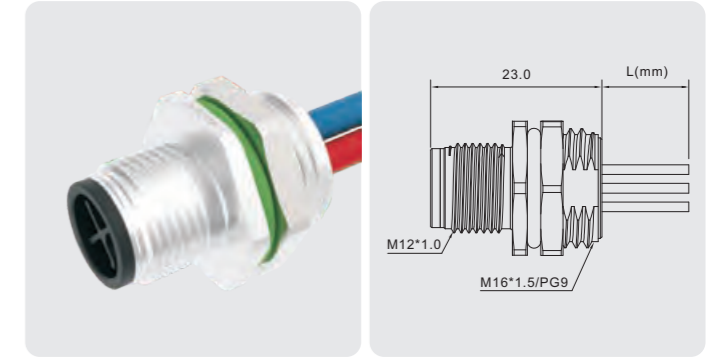
技术数据 Technical Data

| | | | |
|----------------------------|--------------|----------------------------------|-------------------------------|
| 标准 Standard | IEC 61076 | 端子载体材料 Contact carriers material | PA |
| 系列 Series | M12, Male | 端子材料 Contact material | Copper Alloy, Gold-plated |
| Pin针数量 Number of Pins | 03,04 Pin | 金属螺母 Metal of nut | Zinc Alloy with Nickel Plated |
| 额定电流 Rated Current | 12A max. | 胶圈 Seal | Silicone |
| 额定电压 Rated voltage | 630V max. | 屏蔽 Shielding | Unshielded |
| 绝缘电阻 Insulation resistance | ≥100MΩ | 机械寿命 Mechanical life | > 100 mating cycles |
| 接触电阻 Contact resistance | ≤5mΩ | — | — |
| 运行温度 Ambient temperature | - 25 ~ +80°C | — | — |
| 防护等级 IP Class | IP68 | — | — |

| 针数 Number of Pins | 03 Pin | | 04 Pin | | |
|----------------------|-------------------|----------------------------|----------------------------|------------------------------------|------------------------------|
| | 编码 Coded | S-Coded | T-Coded | S-Coded | T-Coded |
| 编码 Coding | 正面图 Front View | | | | |
| 额定电流 Rated current | A. | 12A | 12A | 12A | 12A |
| 额定电压 Rated voltage | V. | 630V | 63V | 630V | 63V |
| 电线电缆 Wire/Cable | 线规 Wire gauge | 16AWG | 16AWG | 16AWG | 16AWG |
| | 横截面 Cross section | 1.5mm ² | 1.5mm ² | 1.5mm ² | 1.5mm ² |
| | 接线表 Wiring list | 1.BK1 3.BK3 4.YE/GN | 1.BN 3.BU 4.BK | 1.BK1 2.BK2 3.BK3 4.YE/GN | 1.BN 2.WH 3.BU 4.BK |
| 描述 Description | 订单号 Order NO. | 订单号 Order NO. | 订单号 Order NO. | 订单号 Order NO. | 订单号 Order NO. |
| PG9 | 0.5m | SD-M12S-03P-MM-SF8A50-00AH | SD-M12T-03P-MM-SF8A50-00AH | SD-M12S-04P-MM-SF8A50-00AH | SD-M12T-04P-MM-SF8A50-00AH |
| | 定制化 Customized | | | | |
| M16*1.5 | 0.5m | SD-M12S-03P-MM-SF8B50-00AH | SD-M12T-03P-MM-SF8B50-00AH | SD-M12S-04P-MM-SF8B50-00AH | SD-M12T-04P-MM-SF8B50-00AH |
| | 定制化 Customized | | | | |

M12 x 1 针式面板安装插座，板前安装，带0.5m导线。

M12 x 1 Male Panel Mount Receptacle, Front Mounting, With 0.5m wires.



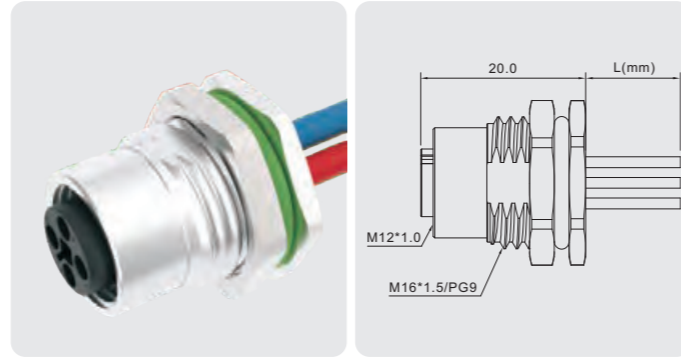
技术数据 Technical Data

| | | | |
|----------------------------|--------------|----------------------------------|-------------------------------|
| 标准 Standard | IEC 61076 | 端子载体材料 Contact carriers material | PA |
| 系列 Series | M12, Male | 端子材料 Contact material | Copper Alloy, Gold-plated |
| Pin针数量 Number of Pins | 03,04 Pin | 金属螺母 Metal of nut | Zinc Alloy with Nickel Plated |
| 额定电流 Rated Current | 12A max. | 胶圈 Seal | Silicone |
| 额定电压 Rated voltage | 630V max. | 屏蔽 Shielding | Unshielded |
| 绝缘电阻 Insulation resistance | ≥100MΩ | 机械寿命 Mechanical life | > 100 mating cycles |
| 接触电阻 Contact resistance | ≤5mΩ | — | — |
| 运行温度 Ambient temperature | - 25 ~ +80°C | — | — |
| 防护等级 IP Class | IP68 | — | — |

| 针数 Number of Pins | 03 Pin | | 04 Pin | | |
|----------------------|-------------------|----------------------------|----------------------------|------------------------------------|------------------------------|
| | 编码 Coded | S-Coded | T-Coded | S-Coded | T-Coded |
| 编码 Coding | 正面图 Front View | | | | |
| 额定电流 Rated current | A. | 12A | 12A | 12A | 12A |
| 额定电压 Rated voltage | V. | 630V | 63V | 630V | 63V |
| 电线电缆 Wire/Cable | 线规 Wire gauge | 16AWG | 16AWG | 16AWG | 16AWG |
| | 横截面 Cross section | 1.5mm ² | 1.5mm ² | 1.5mm ² | 1.5mm ² |
| | 接线表 Wiring list | 1.BK1 3.BK3 4.YE/GN | 1.BN 3.BU 4.BK | 1.BK1 2.BK2 3.BK3 4.YE/GN | 1.BN 2.WH 3.BU 4.BK |
| 描述 Description | 订单号 Order NO. | 订单号 Order NO. | 订单号 Order NO. | 订单号 Order NO. | 订单号 Order NO. |
| PG9 | 0.5m | SD-M12S-03P-MM-SH8A50-00AH | SD-M12T-03P-MM-SH8A50-00AH | SD-M12S-04P-MM-SH8A50-00AH | SD-M12T-04P-MM-SH8A50-00AH |
| | 定制化 Customized | | | | |
| M16*1.5 | 0.5m | SD-M12S-03P-MM-SH8B50-00AH | SD-M12T-03P-MM-SH8B50-00AH | SD-M12S-04P-MM-SH8B50-00AH | SD-M12T-04P-MM-SH8B50-00AH |
| | 定制化 Customized | | | | |

M12 x 1 孔式面板安装插座，板后安装，带0.5m导线。

M12 x 1 Female Panel Mount Receptacle, Rear Mounting, With 0.5m wires.



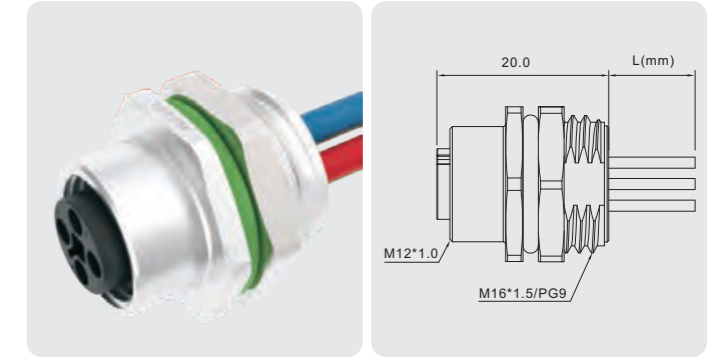
技术数据 Technical Data

| | | | |
|----------------------------|--------------|----------------------------------|-------------------------------|
| 标准 Standard | IEC 61076 | 端子载体材料 Contact carriers material | PA |
| 系列 Series | M12, Female | 端子材料 Contact material | Copper Alloy, Gold-plated |
| Pin针数量 Number of Pins | 03,04 Pin | 金属螺母 Metal of nut | Zinc Alloy with Nickel Plated |
| 额定电流 Rated Current | 12A max. | 胶圈 Seal | Silicone |
| 额定电压 Rated voltage | 630V max. | 屏蔽 Shielding | Unshielded |
| 绝缘电阻 Insulation resistance | ≥100MΩ | 机械寿命 Mechanical life | > 100 mating cycles |
| 接触电阻 Contact resistance | ≤5mΩ | — | — |
| 运行温度 Ambient temperature | - 25 ~ +80°C | — | — |
| 防护等级 IP Class | IP68 | — | — |

| 针数 Number of Pins | | 03 Pin | | 04 Pin | |
|--------------------|-------------------|----------------------------|----------------------------|------------------------------------|------------------------------|
| 编码 Coded | 编码 Coded | S-Coded | T-Coded | S-Coded | T-Coded |
| 正面图 Front View | | | | | |
| 额定电流 Rated current | A. | 12A | 12A | 12A | 12A |
| 额定电压 Rated voltage | V. | 630V | 63V | 630V | 63V |
| 电线电缆 Wire/Cable | 线规 Wire gauge | 16AWG | 16AWG | 16AWG | 16AWG |
| | 横截面 Cross section | 1.5mm ² | 1.5mm ² | 1.5mm ² | 1.5mm ² |
| 接线表 Wiring list | | 1.BK1 3.BK3 4.YE/GN | 1.BN 3.BU 4.BK | 1.BK1 2.BK2 3.BK3 4.YE/GN | 1.BN 2.WH 3.BU 4.BK |
| 描述 Description | 订单号 Order NO. | 订单号 Order NO. | 订单号 Order NO. | 订单号 Order NO. | 订单号 Order NO. |
| PG9 | 0.5m | SD-M12S-03P-FF-SF8A50-00AH | SD-M12T-03P-FF-SF8A50-00AH | SD-M12S-04P-FF-SF8A50-00AH | SD-M12T-04P-FF-SF8A50-00AH |
| | 定制化 Customized | | | | |
| M16*1.5 | 0.5m | SD-M12S-03P-FF-SF8B50-00AH | SD-M12T-03P-FF-SF8B50-00AH | SD-M12S-04P-FF-SF8B50-00AH | SD-M12T-04P-FF-SF8B50-00AH |
| | 定制化 Customized | | | | |

M12 x 1 孔式面板安装插座，板前安装，带0.5m导线。

M12 x 1 Female Panel Mount Receptacle, Front Mounting, With 0.5m wires.



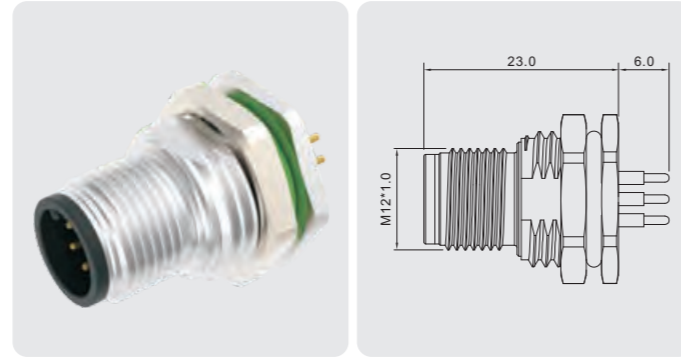
技术数据 Technical Data

| | | | |
|----------------------------|--------------|----------------------------------|-------------------------------|
| 标准 Standard | IEC 61076 | 端子载体材料 Contact carriers material | PA |
| 系列 Series | M12, Female | 端子材料 Contact material | Copper Alloy, Gold-plated |
| Pin针数量 Number of Pins | 03,04 Pin | 金属螺母 Metal of nut | Zinc Alloy with Nickel Plated |
| 额定电流 Rated Current | 12A max. | 胶圈 Seal | Silicone |
| 额定电压 Rated voltage | 630V max. | 屏蔽 Shielding | Unshielded |
| 绝缘电阻 Insulation resistance | ≥100MΩ | 机械寿命 Mechanical life | > 100 mating cycles |
| 接触电阻 Contact resistance | ≤5mΩ | — | — |
| 运行温度 Ambient temperature | - 25 ~ +80°C | — | — |
| 防护等级 IP Class | IP68 | — | — |

| 针数 Number of Pins | | 03 Pin | | 04 Pin | |
|--------------------|-------------------|----------------------------|----------------------------|------------------------------------|------------------------------|
| 编码 Coded | 编码 Coded | S-Coded | T-Coded | S-Coded | T-Coded |
| 正面图 Front View | | | | | |
| 额定电流 Rated current | A. | 12A | 12A | 12A | 12A |
| 额定电压 Rated voltage | V. | 630V | 63V | 630V | 63V |
| 电线电缆 Wire/Cable | 线规 Wire gauge | 16AWG | 16AWG | 16AWG | 16AWG |
| | 横截面 Cross section | 1.5mm ² | 1.5mm ² | 1.5mm ² | 1.5mm ² |
| 接线表 Wiring list | | 1.BK1 3.BK3 4.YE/GN | 1.BN 3.BU 4.BK | 1.BK1 2.BK2 3.BK3 4.YE/GN | 1.BN 2.WH 3.BU 4.BK |
| 描述 Description | 订单号 Order NO. | 订单号 Order NO. | 订单号 Order NO. | 订单号 Order NO. | 订单号 Order NO. |
| PG9 | 0.5m | SD-M12S-03P-FF-SH8A50-00AH | SD-M12T-03P-FF-SH8A50-00AH | SD-M12S-04P-FF-SH8A50-00AH | SD-M12T-04P-FF-SH8A50-00AH |
| | 定制化 Customized | | | | |
| M16*1.5 | 0.5m | SD-M12S-03P-FF-SH8B50-00AH | SD-M12T-03P-FF-SH8B50-00AH | SD-M12S-04P-FF-SH8B50-00AH | SD-M12T-04P-FF-SH8B50-00AH |
| | 定制化 Customized | | | | |

M12 x 1 针式面板安装插座，板后安装，非屏蔽，PCB焊接。

M12 x 1 Male Panel Mount Receptacle, Rear Mounting, Unshielded, PCB Soldering.

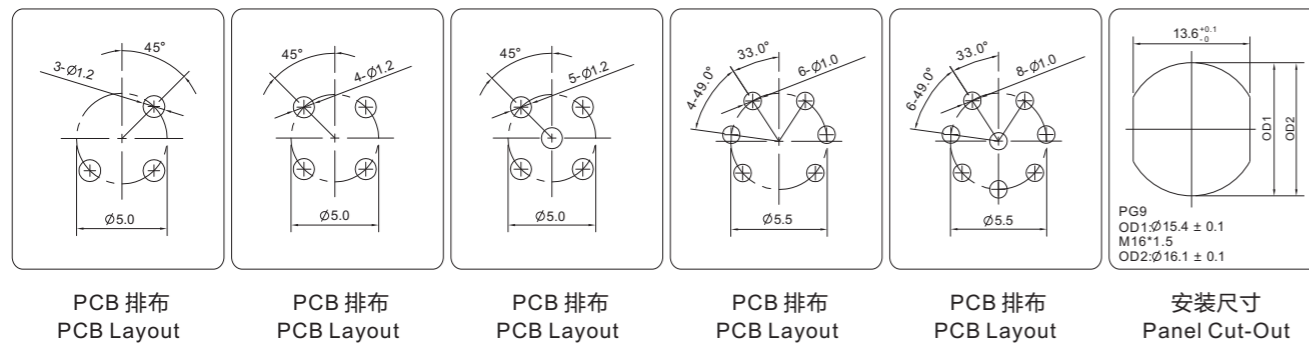


技术数据 Technical Data

| | | | |
|----------------------------|-----------------------------|----------------------------------|-------------------------------|
| 标准 Standard | IEC 61076 | 端子载体材料 Contact carriers material | PA |
| 系列 Series | M12, Male | 端子材料 Contact material | Copper Alloy, Gold-plated |
| Pin针数量 Number of Pins | 03,04,05,06,08,10,12,17 Pin | 金属螺母 Metal of nut | Zinc Alloy with Nickel Plated |
| 额定电流 Rated Current | 4A max. | 胶圈 Seal | Silicone |
| 额定电压 Rated voltage | 250V max. | 机械寿命 Mechanical life | > 100 mating cycles |
| 绝缘电阻 Insulation resistance | ≥100MΩ | | |
| 接触电阻 Contact resistance | ≤5mΩ | | |
| 运行温度 Ambient temperature | -40 ~ +105°C | | |
| 防护等级 IP Class | IP68 | | |

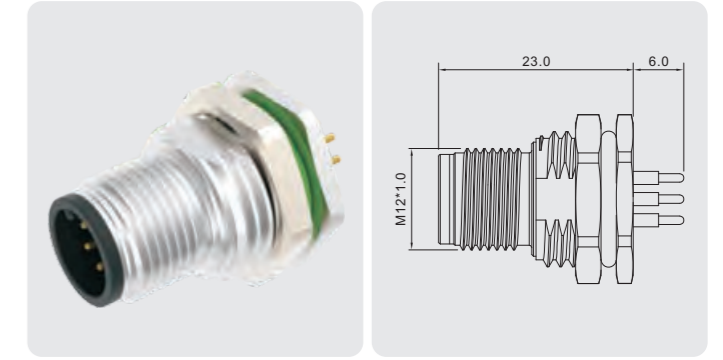
| 针数 Number of Pins | | 03 Pin | 04 Pin | 05 Pin | 06 Pin | 08 Pin |
|--------------------|----------------------------|----------------------------|----------------------------|----------------------------|----------------------------|---------------|
| 编码 Coding | 编码 Coded | A-Coded | A-Coded | A-Coded | A-Coded | A-Coded |
| | 正面图 Front View | | | | | |
| 额定电流 Rated current | A. | 4A | 4A | 4A | 2A | 2A |
| 额定电压 Rated voltage | V. | 250V | 250V | 60V | 30V | 30V |
| 描述 Description | 订单号 Order NO. | 订单号 Order NO. | 订单号 Order NO. | 订单号 Order NO. | 订单号 Order NO. | 订单号 Order NO. |
| PG9 | SP-M12A-03P-MM-SF8001-00AH | SP-M12A-04P-MM-SF8001-00AH | SP-M12A-05P-MM-SF8001-00AH | SP-M12A-06P-MM-SF8001-00AH | SP-M12A-08P-MM-SF8001-00AH | |
| 定制化 Customized | | | | | | |
| M16*1.5 | SP-M12A-03P-MM-SF8002-00AH | SP-M12A-04P-MM-SF8002-00AH | SP-M12A-05P-MM-SF8002-00AH | SP-M12A-06P-MM-SF8002-00AH | SP-M12A-08P-MM-SF8002-00AH | |
| 定制化 Customized | | | | | | |

尺寸图 Dimension Figure



M12 x 1 针式面板安装插座，板后安装，非屏蔽，PCB焊接。

M12 x 1 Male Panel Mount Receptacle, Rear Mounting, Unshielded, PCB Soldering.

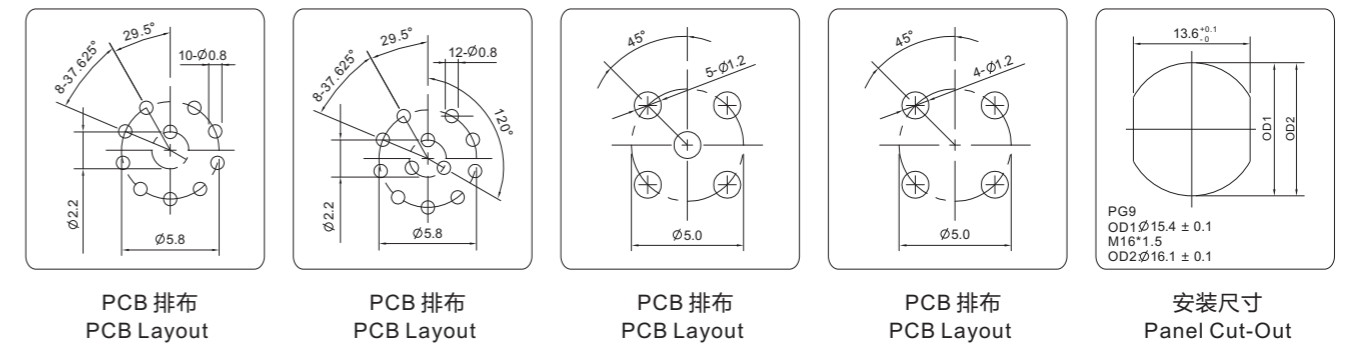


技术数据 Technical Data

| | | | |
|----------------------------|-----------------------------|----------------------------------|-------------------------------|
| 标准 Standard | IEC 61076 | 端子载体材料 Contact carriers material | PA |
| 系列 Series | M12, Male | 端子材料 Contact material | Copper Alloy, Gold-plated |
| Pin针数量 Number of Pins | 03,04,05,06,08,10,12,17 Pin | 金属螺母 Metal of nut | Zinc Alloy with Nickel Plated |
| 额定电流 Rated Current | 4A max. | 胶圈 Seal | Silicone |
| 额定电压 Rated voltage | 250V max. | 机械寿命 Mechanical life | > 100 mating cycles |
| 绝缘电阻 Insulation resistance | ≥100MΩ | | |
| 接触电阻 Contact resistance | ≤5mΩ | | |
| 运行温度 Ambient temperature | -40 ~ +105°C | | |
| 防护等级 IP Class | IP68 | | |

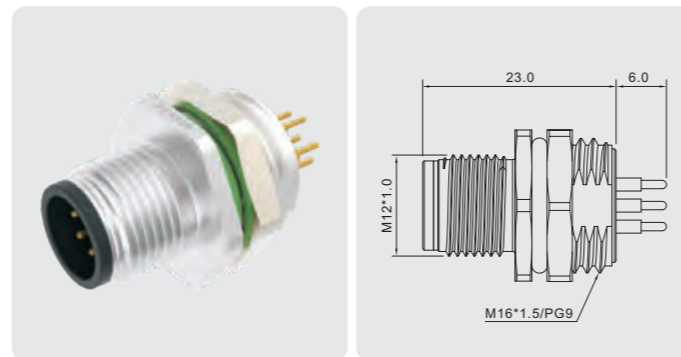
| 针数 Number of Pins | | 10 Pin | 12 Pin | 17 Pin | 05 Pin | 04 Pin |
|--------------------|----------------------------|----------------------------|----------------------------|----------------------------|----------------------------|---------------|
| 编码 Coding | 编码 Coded | A-Coded | A-Coded | A-Coded | B-Coded | D-Coded |
| | 正面图 Front View | | | | | |
| 额定电流 Rated current | A. | 1.5A | 1.5A | 1.5A | 4A | 4A |
| 额定电压 Rated voltage | V. | 30V | 30V | 30V | 60V | 250V |
| 描述 Description | 订单号 Order NO. | 订单号 Order NO. | 订单号 Order NO. | 订单号 Order NO. | 订单号 Order NO. | 订单号 Order NO. |
| PG9 | SP-M12A-10P-MM-SF8001-00AH | SP-M12A-12P-MM-SF8001-00AH | SP-M12A-17P-MM-SF8001-00AH | SP-M12B-05P-MM-SF8001-00AH | SP-M12D-04P-MM-SF8001-00AH | |
| 定制化 Customized | | | | | | |
| M16*1.5 | SP-M12A-10P-MM-SF8002-00AH | SP-M12A-12P-MM-SF8002-00AH | SP-M12A-17P-MM-SF8002-00AH | SP-M12B-05P-MM-SF8002-00AH | SP-M12D-04P-MM-SF8002-00AH | |
| 定制化 Customized | | | | | | |

尺寸图 Dimension Figure



M12 x 1 针式面板安装插座，板前安装，非屏蔽，PCB焊接。

M12 x 1 Male Panel Mount Receptacle, Front Mounting, Unshielded, PCB Soldering.

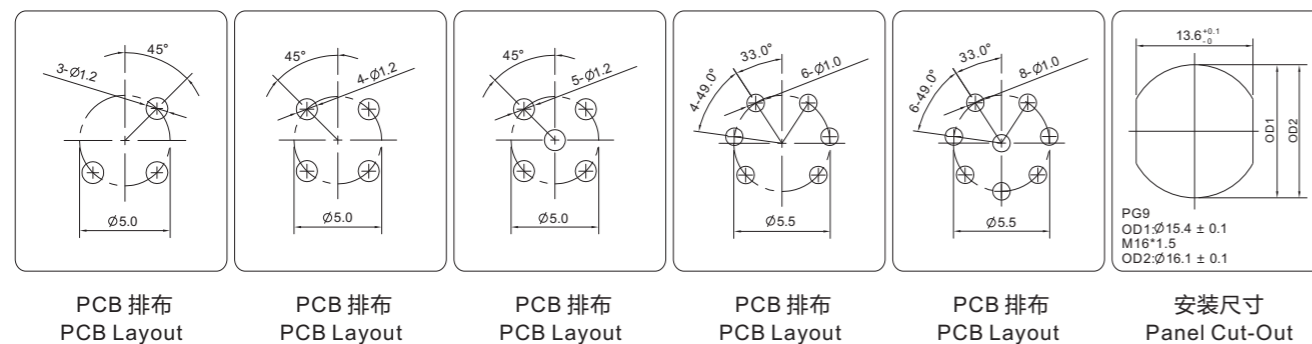


技术数据 Technical Data

| | | | |
|----------------------------|-----------------------------|----------------------------------|-------------------------------|
| 标准 Standard | IEC 61076 | 端子载体材料 Contact carriers material | PA |
| 系列 Series | M12, Male | 端子材料 Contact material | Copper Alloy, Gold-plated |
| Pin针数量 Number of Pins | 03,04,05,06,08,10,12,17 Pin | 金属螺母 Metal of nut | Zinc Alloy with Nickel Plated |
| 额定电流 Rated Current | 4A max. | 胶圈 Seal | Silicone |
| 额定电压 Rated voltage | 250V max. | 机械寿命 Mechanical life | > 100 mating cycles |
| 绝缘电阻 Insulation resistance | ≥100MΩ | | |
| 接触电阻 Contact resistance | ≤5mΩ | | |
| 运行温度 Ambient temperature | -40 ~ +105°C | | |
| 防护等级 IP Class | IP68 | | |

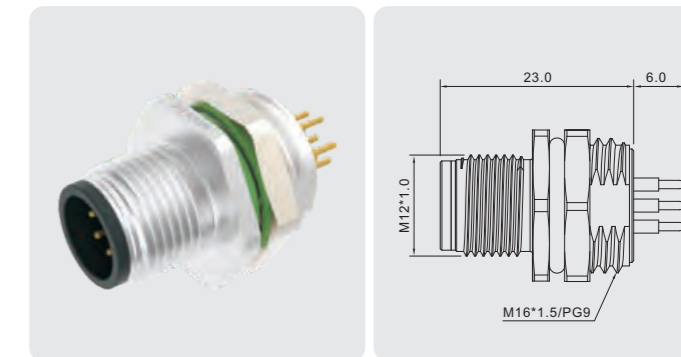
| 针数 Number of Pins | | 03 Pin | 04 Pin | 05 Pin | 06 Pin | 08 Pin |
|--------------------|----------------------------|----------------------------|----------------------------|----------------------------|----------------------------|---------------|
| 编码 Coding | 编码 Coded | A-Coded | A-Coded | A-Coded | A-Coded | A-Coded |
| | 正面图 Front View | | | | | |
| 额定电流 Rated current | A. | 4A | 4A | 4A | 2A | 2A |
| 额定电压 Rated voltage | V. | 250V | 250V | 60V | 30V | 30V |
| 描述 Description | 订单号 Order NO. | 订单号 Order NO. | 订单号 Order NO. | 订单号 Order NO. | 订单号 Order NO. | 订单号 Order NO. |
| PG9 | SP-M12A-03P-MM-SH8001-00AH | SP-M12A-04P-MM-SH8001-00AH | SP-M12A-05P-MM-SH8001-00AH | SP-M12A-06P-MM-SH8001-00AH | SP-M12A-08P-MM-SH8001-00AH | |
| 定制化 Customized | | | | | | |
| M16*1.5 | SP-M12A-03P-MM-SH8002-00AH | SP-M12A-04P-MM-SH8002-00AH | SP-M12A-05P-MM-SH8002-00AH | SP-M12A-06P-MM-SH8002-00AH | SP-M12A-08P-MM-SH8002-00AH | |
| 定制化 Customized | | | | | | |

尺寸图 Dimension Figure



M12 x 1 针式面板安装插座，板前安装，非屏蔽，PCB焊接。

M12 x 1 Male Panel Mount Receptacle, Front Mounting, Unshielded, PCB Soldering.

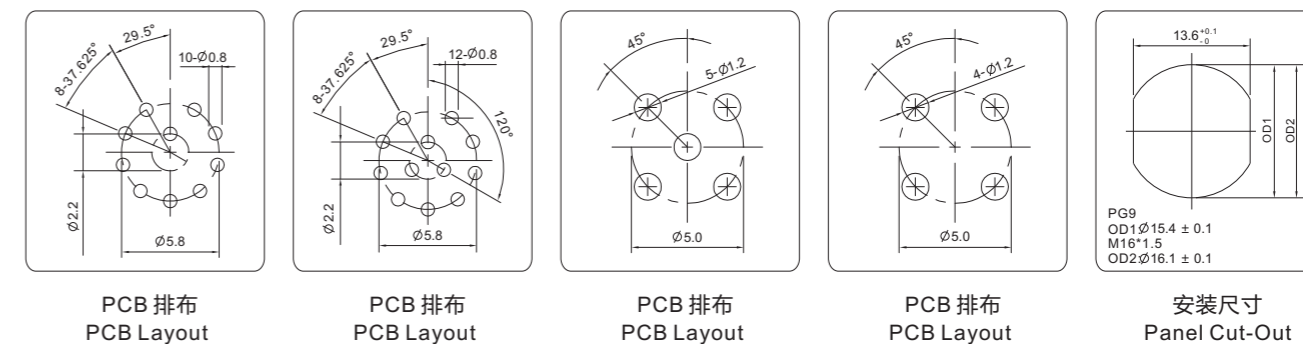


技术数据 Technical Data

| | | | |
|----------------------------|-----------------------------|----------------------------------|-------------------------------|
| 标准 Standard | IEC 61076 | 端子载体材料 Contact carriers material | PA |
| 系列 Series | M12, Male | 端子材料 Contact material | Copper Alloy, Gold-plated |
| Pin针数量 Number of Pins | 03,04,05,06,08,10,12,17 Pin | 金属螺母 Metal of nut | Zinc Alloy with Nickel Plated |
| 额定电流 Rated Current | 4A max. | 胶圈 Seal | Silicone |
| 额定电压 Rated voltage | 250V max. | 机械寿命 Mechanical life | > 100 mating cycles |
| 绝缘电阻 Insulation resistance | ≥100MΩ | | |
| 接触电阻 Contact resistance | ≤5mΩ | | |
| 运行温度 Ambient temperature | -40 ~ +105°C | | |
| 防护等级 IP Class | IP68 | | |

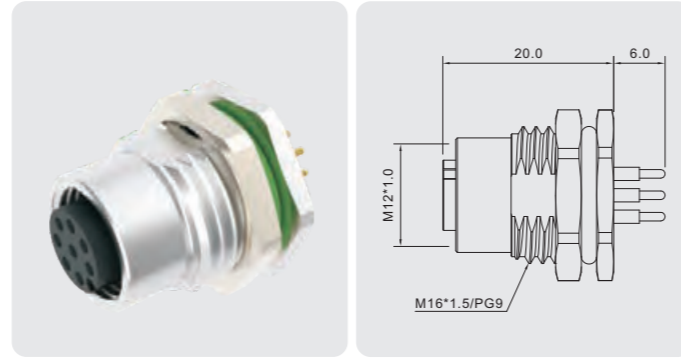
| 针数 Number of Pins | | 10 Pin | 12 Pin | 17 Pin | 05 Pin | 04 Pin |
|--------------------|----------------------------|----------------------------|----------------------------|----------------------------|----------------------------|---------------|
| 编码 Coding | 编码 Coded | A-Coded | A-Coded | A-Coded | B-Coded | D-Coded |
| | 正面图 Front View | | | | | |
| 额定电流 Rated current | A. | 1.5A | 1.5A | 1.5A | 4A | 4A |
| 额定电压 Rated voltage | V. | 30V | 30V | 30V | 60V | 250V |
| 描述 Description | 订单号 Order NO. | 订单号 Order NO. | 订单号 Order NO. | 订单号 Order NO. | 订单号 Order NO. | 订单号 Order NO. |
| PG9 | SP-M12A-10P-MM-SH8001-00AH | SP-M12A-12P-MM-SH8001-00AH | SP-M12A-17P-MM-SH8001-00AH | SP-M12B-05P-MM-SH8001-00AH | SP-M12D-04P-MM-SH8001-00AH | |
| 定制化 Customized | | | | | | |
| M16*1.5 | SP-M12A-10P-MM-SH8002-00AH | SP-M12A-12P-MM-SH8002-00AH | SP-M12A-17P-MM-SH8002-00AH | SP-M12B-05P-MM-SH8002-00AH | SP-M12D-04P-MM-SH8002-00AH | |
| 定制化 Customized | | | | | | |

尺寸图 Dimension Figure



M12 x 1 孔式面板安装插座，板后安装，非屏蔽，PCB焊接。

M12 x 1 Female Panel Mount Receptacle, Rear Mounting, Unshielded, PCB Soldering.

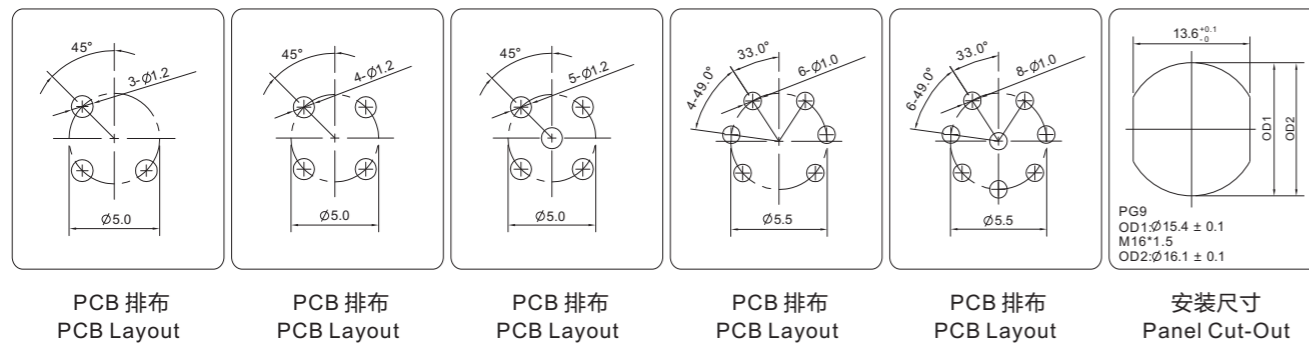


技术数据 Technical Data

| | | | |
|----------------------------|-----------------------------|----------------------------------|-------------------------------|
| 标准 Standard | IEC 61076 | 端子载体材料 Contact carriers material | PA |
| 系列 Series | M12, Female | 端子材料 Contact material | Copper Alloy, Gold-plated |
| Pin针数量 Number of Pins | 03,04,05,06,08,10,12,17 Pin | 金属螺母 Metal of nut | Zinc Alloy with Nickel Plated |
| 额定电流 Rated Current | 4A max. | 胶圈 Seal | Silicone |
| 额定电压 Rated voltage | 250V max. | 机械寿命 Mechanical life | > 100 mating cycles |
| 绝缘电阻 Insulation resistance | ≥100MΩ | | |
| 接触电阻 Contact resistance | ≤5mΩ | | |
| 运行温度 Ambient temperature | -40 ~ +105°C | | |
| 防护等级 IP Class | IP68 | | |

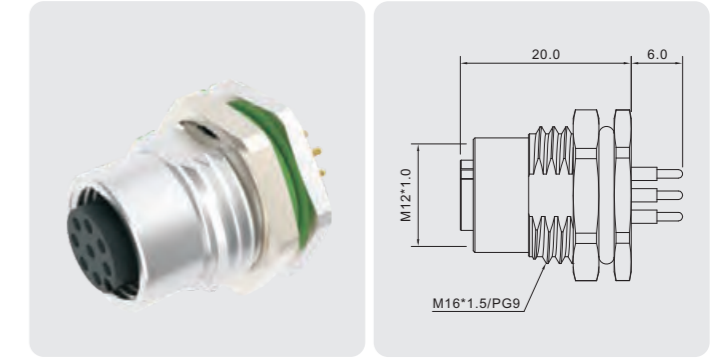
| 针数 Number of Pins | | 03 Pin | 04 Pin | 05 Pin | 06 Pin | 08 Pin |
|--------------------|----------------------------|----------------------------|----------------------------|----------------------------|----------------------------|----------------------------|
| 编码 Coding | 编码 Coded | A-Coded | A-Coded | A-Coded | A-Coded | A-Coded |
| | 正面图 Front View | | | | | |
| 额定电流 Rated current | A. | 4A | 4A | 4A | 2A | 2A |
| 额定电压 Rated voltage | V. | 250V | 250V | 60V | 30V | 30V |
| 描述 Description | 订单号 Order NO. | 订单号 Order NO. | 订单号 Order NO. | 订单号 Order NO. | 订单号 Order NO. | 订单号 Order NO. |
| PG9 | SP-M12A-03P-FF-SF8001-00AH | SP-M12A-04P-FF-SF8001-00AH | SP-M12A-05P-FF-SF8001-00AH | SP-M12A-06P-FF-SF8001-00AH | SP-M12A-08P-FF-SF8001-00AH | SP-M12A-08P-FF-SF8001-00AH |
| 定制化 Customized | | | | | | |
| M16*1.5 | SP-M12A-03P-FF-SF8002-00AH | SP-M12A-04P-FF-SF8002-00AH | SP-M12A-05P-FF-SF8002-00AH | SP-M12A-06P-FF-SF8002-00AH | SP-M12A-08P-FF-SF8002-00AH | SP-M12A-08P-FF-SF8002-00AH |
| 定制化 Customized | | | | | | |

尺寸图 Dimension Figure



M12 x 1 孔式面板安装插座，板后安装，非屏蔽，PCB焊接。

M12 x 1 Female Panel Mount Receptacle, Rear Mounting, Unshielded, PCB Soldering.

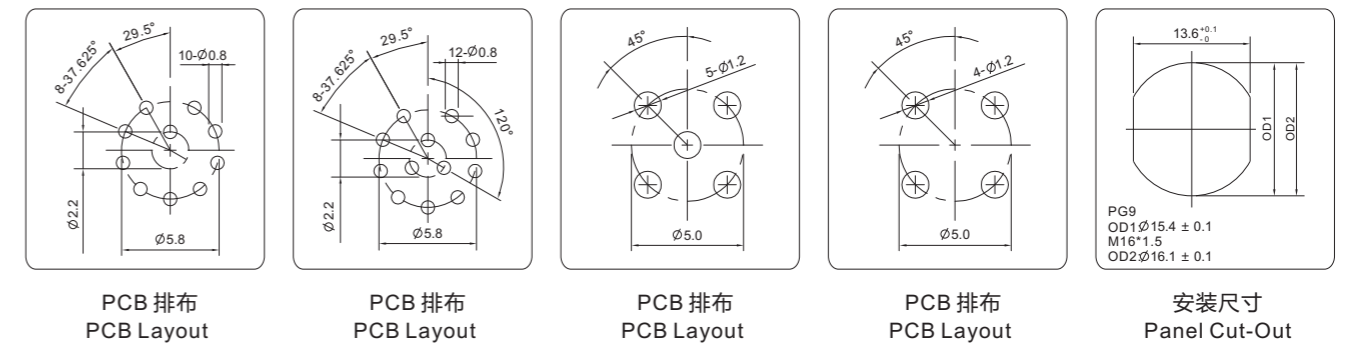


技术数据 Technical Data

| | | | |
|----------------------------|-----------------------------|----------------------------------|-------------------------------|
| 标准 Standard | IEC 61076 | 端子载体材料 Contact carriers material | PA |
| 系列 Series | M12, Female | 端子材料 Contact material | Copper Alloy, Gold-plated |
| Pin针数量 Number of Pins | 03,04,05,06,08,10,12,17 Pin | 金属螺母 Metal of nut | Zinc Alloy with Nickel Plated |
| 额定电流 Rated Current | 4A max. | 胶圈 Seal | Silicone |
| 额定电压 Rated voltage | 250V max. | 机械寿命 Mechanical life | > 100 mating cycles |
| 绝缘电阻 Insulation resistance | ≥100MΩ | | |
| 接触电阻 Contact resistance | ≤5mΩ | | |
| 运行温度 Ambient temperature | -40 ~ +105°C | | |
| 防护等级 IP Class | IP68 | | |

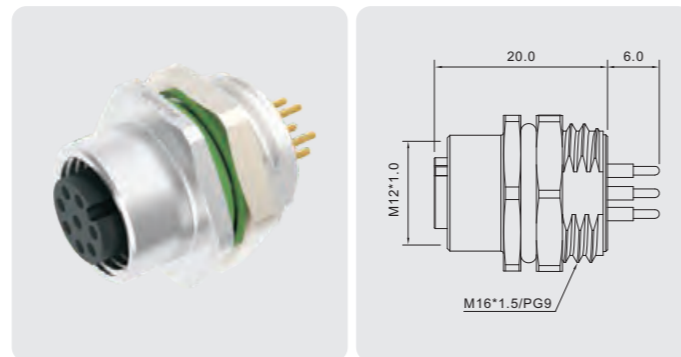
| 针数 Number of Pins | | 10 Pin | 12 Pin | 17 Pin | 05 Pin | 04 Pin |
|--------------------|----------------------------|----------------------------|----------------------------|----------------------------|----------------------------|----------------------------|
| 编码 Coding | 编码 Coded | A-Coded | A-Coded | A-Coded | B-Coded | D-Coded |
| | 正面图 Front View | | | | | |
| 额定电流 Rated current | A. | 1.5A | 1.5A | 1.5A | 4A | 4A |
| 额定电压 Rated voltage | V. | 30V | 30V | 30V | 60V | 250V |
| 描述 Description | 订单号 Order NO. | 订单号 Order NO. | 订单号 Order NO. | 订单号 Order NO. | 订单号 Order NO. | 订单号 Order NO. |
| PG9 | SP-M12A-10P-FF-SF8001-00AH | SP-M12A-12P-FF-SF8001-00AH | SP-M12A-17P-FF-SF8001-00AH | SP-M12B-05P-FF-SF8001-00AH | SP-M12D-04P-FF-SF8001-00AH | SP-M12D-04P-FF-SF8001-00AH |
| 定制化 Customized | | | | | | |
| M16*1.5 | SP-M12A-10P-FF-SF8002-00AH | SP-M12A-12P-FF-SF8002-00AH | SP-M12A-17P-FF-SF8002-00AH | SP-M12B-05P-FF-SF8002-00AH | SP-M12D-04P-FF-SF8002-00AH | SP-M12D-04P-FF-SF8002-00AH |
| 定制化 Customized | | | | | | |

尺寸图 Dimension Figure



M12 x 1 孔式面板安装插座，板前安装，非屏蔽，PCB焊接。

M12 x 1 Female Panel Mount Receptacle, Front Mounting, Unshielded, PCB Soldering.

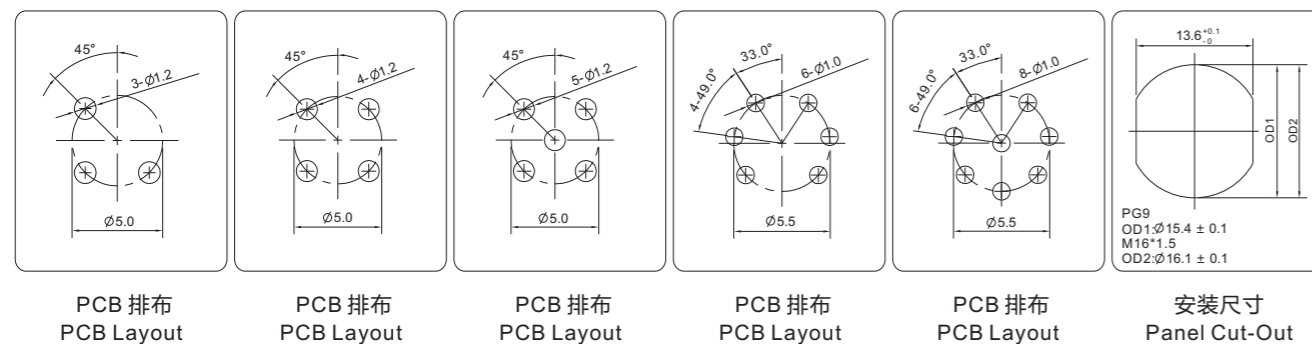


技术数据 Technical Data

| | | | |
|----------------------------|-----------------------------|----------------------------------|-------------------------------|
| 标准 Standard | IEC 61076 | 端子载体材料 Contact carriers material | PA |
| 系列 Series | M12, Female | 端子材料 Contact material | Copper Alloy, Gold-plated |
| Pin针数量 Number of Pins | 03,04,05,06,08,10,12,17 Pin | 金属螺母 Metal of nut | Zinc Alloy with Nickel Plated |
| 额定电流 Rated Current | 4A max. | 胶圈 Seal | Silicone |
| 额定电压 Rated voltage | 250V max. | 机械寿命 Mechanical life | > 100 mating cycles |
| 绝缘电阻 Insulation resistance | ≥100MΩ | | |
| 接触电阻 Contact resistance | ≤5mΩ | | |
| 运行温度 Ambient temperature | -40 ~ +105°C | | |
| 防护等级 IP Class | IP68 | | |

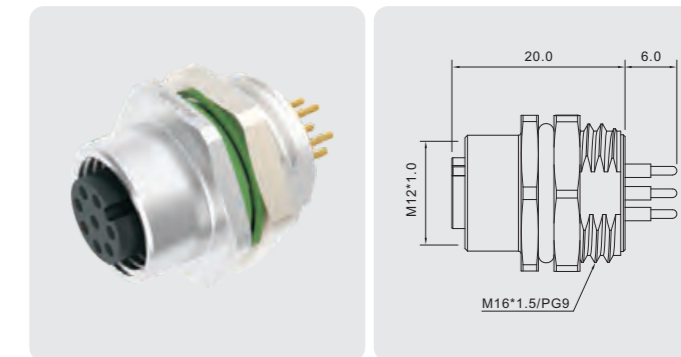
| 针数 Number of Pins | | 03 Pin | 04 Pin | 05 Pin | 06 Pin | 08 Pin |
|--------------------|----------------------------|----------------------------|----------------------------|----------------------------|----------------------------|---------------|
| 编码 Coding | 编码 Coded | A-Coded | A-Coded | A-Coded | A-Coded | A-Coded |
| | 正面图 Front View | | | | | |
| 额定电流 Rated current | A. | 4A | 4A | 4A | 2A | 2A |
| 额定电压 Rated voltage | V. | 250V | 250V | 60V | 30V | 30V |
| 描述 Description | 订单号 Order NO. | 订单号 Order NO. | 订单号 Order NO. | 订单号 Order NO. | 订单号 Order NO. | 订单号 Order NO. |
| PG9 | SP-M12A-03P-FF-SH8001-00AH | SP-M12A-04P-FF-SH8001-00AH | SP-M12A-05P-FF-SH8001-00AH | SP-M12A-06P-FF-SH8001-00AH | SP-M12A-08P-FF-SH8001-00AH | |
| 定制化 Customized | | | | | | |
| M16*1.5 | SP-M12A-03P-FF-SH8002-00AH | SP-M12A-04P-FF-SH8002-00AH | SP-M12A-05P-FF-SH8002-00AH | SP-M12A-06P-FF-SH8002-00AH | SP-M12A-08P-FF-SH8002-00AH | |
| 定制化 Customized | | | | | | |

尺寸图 Dimension Figure



M12 x 1 孔式面板安装插座，板前安装，非屏蔽，PCB焊接。

M12 x 1 Female Panel Mount Receptacle, Front Mounting, Unshielded, PCB Soldering.

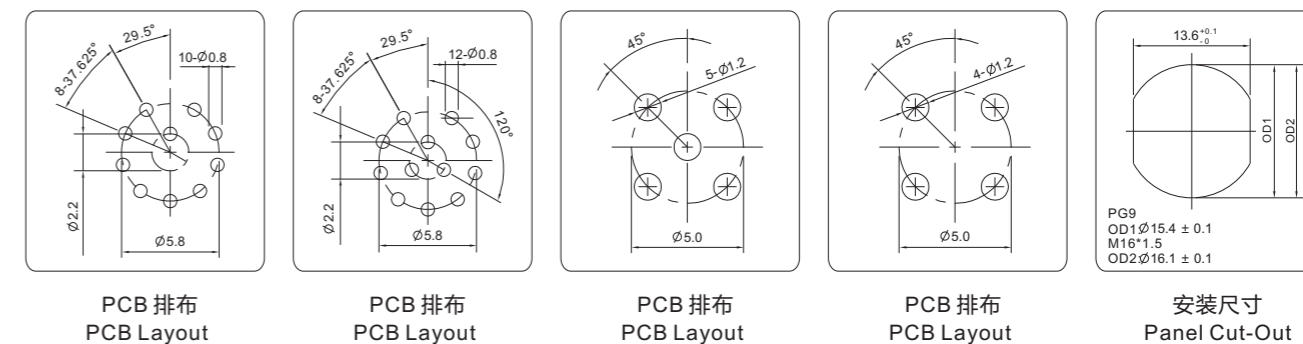


技术数据 Technical Data

| | | | |
|----------------------------|-----------------------------|----------------------------------|-------------------------------|
| 标准 Standard | IEC 61076 | 端子载体材料 Contact carriers material | PA |
| 系列 Series | M12, Female | 端子材料 Contact material | Copper Alloy, Gold-plated |
| Pin针数量 Number of Pins | 03,04,05,06,08,10,12,17 Pin | 金属螺母 Metal of nut | Zinc Alloy with Nickel Plated |
| 额定电流 Rated Current | 4A max. | 胶圈 Seal | Silicone |
| 额定电压 Rated voltage | 250V max. | 机械寿命 Mechanical life | > 100 mating cycles |
| 绝缘电阻 Insulation resistance | ≥100MΩ | | |
| 接触电阻 Contact resistance | ≤5mΩ | | |
| 运行温度 Ambient temperature | -40 ~ +105°C | | |
| 防护等级 IP Class | IP68 | | |

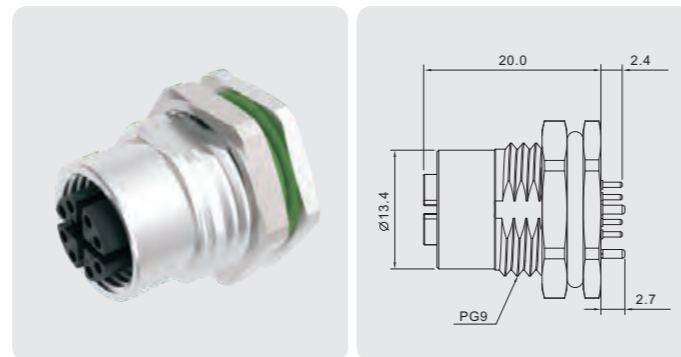
| 针数 Number of Pins | | 10 Pin | 12 Pin | 17 Pin | 05 Pin | 04 Pin |
|--------------------|----------------------------|----------------------------|----------------------------|----------------------------|----------------------------|---------------|
| 编码 Coding | 编码 Coded | A-Coded | A-Coded | A-Coded | B-Coded | D-Coded |
| | 正面图 Front View | | | | | |
| 额定电流 Rated current | A. | 1.5A | 1.5A | 1.5A | 4A | 4A |
| 额定电压 Rated voltage | V. | 30V | 30V | 30V | 60V | 250V |
| 描述 Description | 订单号 Order NO. | 订单号 Order NO. | 订单号 Order NO. | 订单号 Order NO. | 订单号 Order NO. | 订单号 Order NO. |
| PG9 | SP-M12A-10P-FF-SH8001-00AH | SP-M12A-12P-FF-SH8001-00AH | SP-M12A-17P-FF-SH8001-00AH | SP-M12B-05P-FF-SH8001-00AH | SP-M12D-04P-FF-SH8001-00AH | |
| 定制化 Customized | | | | | | |
| M16*1.5 | SP-M12A-10P-FF-SH8002-00AH | SP-M12A-12P-FF-SH8002-00AH | SP-M12A-17P-FF-SH8002-00AH | SP-M12B-05P-FF-SH8002-00AH | SP-M12D-04P-FF-SH8002-00AH | |
| 定制化 Customized | | | | | | |

尺寸图 Dimension Figure



M12 x 1 孔式面板安装插座，板后安装，屏蔽，PCB焊接。

M12 x 1 Female Panel Mount Receptacle, Rear Mounting, Shielded, PCB Soldering.

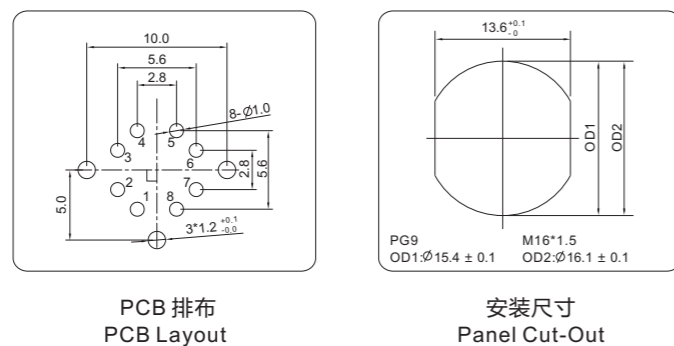


技术数据 Technical Data

| | | | |
|----------------------------|-----------------|----------------------------------|-------------------------------|
| 标准 Standard | IEC 61076 | 端子载体材料 Contact carriers material | PA |
| 系列 Series | M12, Male | 端子材料 Contact material | Copper Alloy, Gold-plated |
| Pin针数量 Number of Pins | 08 Pin | 金属螺母 Metal of nut | Zinc Alloy with Nickel Plated |
| 额定电流 Rated Current | 0.5A max. | 胶圈 Seal | Silicone |
| 额定电压 Rated voltage | 50V AC / 60V DC | 机械寿命 Mechanical life | > 100 mating cycles |
| 绝缘电阻 Insulation resistance | ≥100MΩ | | |
| 接触电阻 Contact resistance | ≤5mΩ | | |
| 运行温度 Ambient temperature | - 20 ~ + 105°C | | |
| 防护等级 IP Class | IP67 | | |

| 针数 Number of Pins | | 08 Pin |
|--------------------|----------------|------------------------------|
| 编码 Coding | 编码 Coded | X-Coded |
| | 正面图 Front View | |
| 额定电流 Rated current | A. | 0.5A |
| 额定电压 Rated voltage | V. | 50V AC / 60V DC |
| 描述 Description | | 订单号 Order NO. |
| | PG9 | SPSH-M12X-08P-FF-SF7001-00AH |
| 定制化 Customized | | M16*1.5 |
| | | SPSH-M12X-08P-FF-SF7002-00AH |
| 定制化 Customized | | |

尺寸图 Dimension Figure

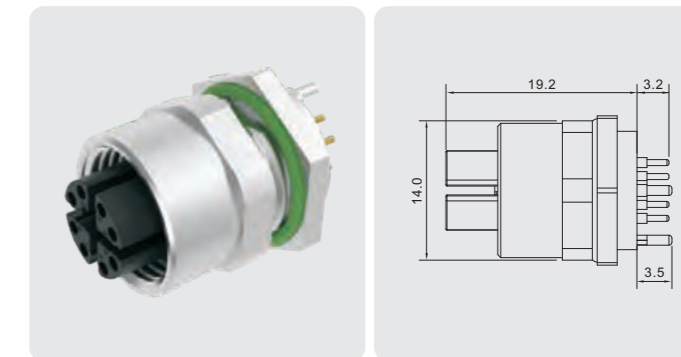


PCB 排布
PCB Layout

安装尺寸
Panel Cut-Out

M12 x 1 孔式面板安装插座，板后安装，屏蔽，PCB焊接。

M12 x 1 Female Panel Mount Receptacle, Rear Mounting, Shielded, PCB Soldering.

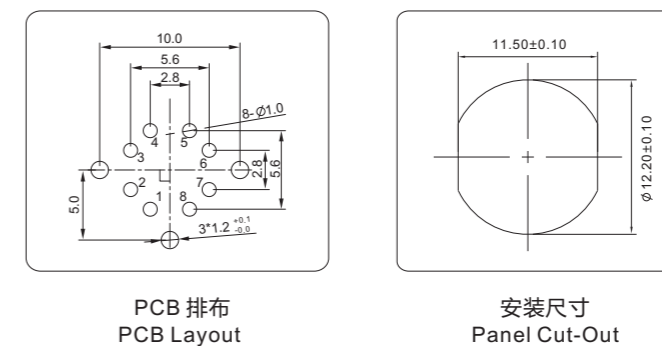


技术数据 Technical Data

| | | | |
|----------------------------|-----------------|----------------------------------|-------------------------------|
| 标准 Standard | IEC 61076 | 端子载体材料 Contact carriers material | PA |
| 系列 Series | M12, Female | 端子材料 Contact material | Copper Alloy, Gold-plated |
| Pin针数量 Number of Pins | 08 Pin | 金属螺母 Metal of nut | Zinc Alloy with Nickel Plated |
| 额定电流 Rated Current | 0.5A max. | 胶圈 Seal | Silicone |
| 额定电压 Rated voltage | 50V AC / 60V DC | 机械寿命 Mechanical life | > 100 mating cycles |
| 绝缘电阻 Insulation resistance | ≥100MΩ | | |
| 接触电阻 Contact resistance | ≤5mΩ | | |
| 运行温度 Ambient temperature | - 20 ~ + 105°C | | |
| 防护等级 IP Class | IP67 | | |

| 针数 Number of Pins | | 08 Pin |
|--------------------|----------------|------------------------------|
| 编码 Coding | 编码 Coded | X-Coded |
| | 正面图 Front View | |
| 额定电流 Rated current | A. | 0.5A |
| 额定电压 Rated voltage | V. | 50V AC / 60V DC |
| 描述 Description | | 订单号 Order NO. |
| | M12*1.0 | SPSH-M12X-08P-FF-SF7003-00AH |
| 定制化 Customized | | |

尺寸图 Dimension Figure

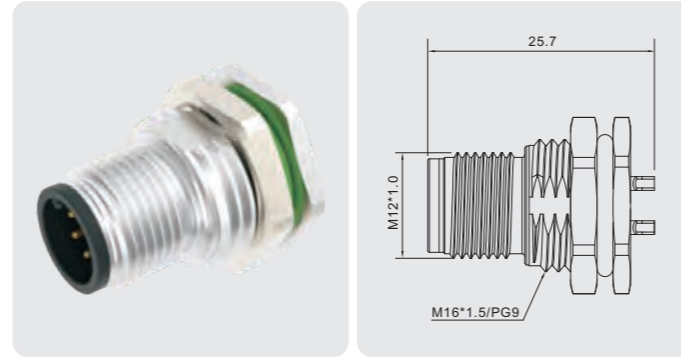


PCB 排布
PCB Layout

安装尺寸
Panel Cut-Out

M12 x 1 针式面板安装插座，板后安装，非屏蔽，焊杯不带线。

M12 x 1 Male Panel Mount Receptacle, Rear Mounting, Unshielded, Soldering without wire.

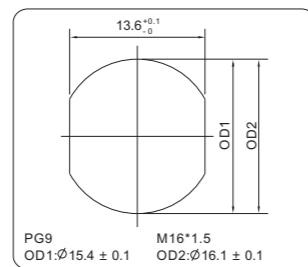


技术数据 Technical Data

| | | | |
|----------------------------|-----------------------------|----------------------------------|-------------------------------|
| 标准 Standard | IEC 61076 | 端子载体材料 Contact carriers material | PA |
| 系列 Series | M12, Male | 端子材料 Contact material | Copper Alloy, Gold-plated |
| Pin针数量 Number of Pins | 03,04,05,06,08,10,12,17 Pin | 金属螺母 Metal of nut | Zinc Alloy with Nickel Plated |
| 额定电流 Rated Current | 4A max. | 胶圈 Seal | Silicone |
| 额定电压 Rated voltage | 250V max. | 机械寿命 Mechanical life | > 100 mating cycles |
| 绝缘电阻 Insulation resistance | ≥100MΩ | | |
| 接触电阻 Contact resistance | ≤5mΩ | | |
| 运行温度 Ambient temperature | -40 ~ +105°C | | |
| 防护等级 IP Class | IP68 | | |

| 针数 Number of Pins | | 03 Pin | 04 Pin | 05 Pin | 06 Pin | 08 Pin |
|--------------------|----------------|----------------------------|----------------------------|----------------------------|----------------------------|----------------------------|
| 编码 Coding | 编码 Coded | A-Coded | A-Coded | A-Coded | A-Coded | A-Coded |
| | 正面图 Front View | | | | | |
| 额定电流 Rated current | A. | 4A | 4A | 4A | 2A | 2A |
| 额定电压 Rated voltage | V. | 250V | 250V | 60V | 30V | 30V |
| 描述 Description | 订单号 Order NO. | SD-M12A-03P-MM-SF8001-00AH | SD-M12A-04P-MM-SF8001-00AH | SD-M12A-05P-MM-SF8001-00AH | SD-M12A-06P-MM-SF8001-00AH | SD-M12A-08P-MM-SF8001-00AH |
| 定制化 Customized | | | | | | |
| | | SD-M12A-03P-MM-SF8002-00AH | SD-M12A-04P-MM-SF8002-00AH | SD-M12A-05P-MM-SF8002-00AH | SD-M12A-06P-MM-SF8002-00AH | SD-M12A-08P-MM-SF8002-00AH |
| 定制化 Customized | | | | | | |

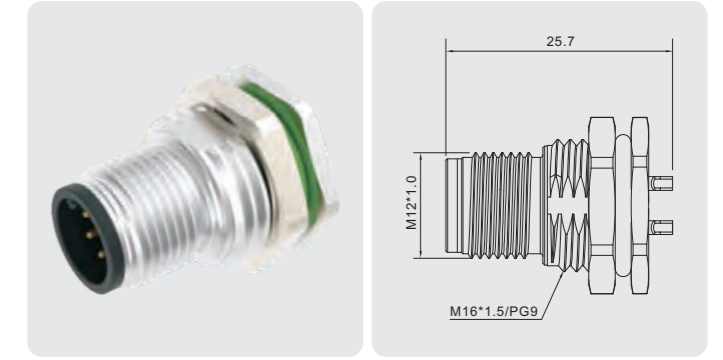
尺寸图 Dimension Figure



安装尺寸 Panel Cut-Out

M12 x 1 针式面板安装插座，板后安装，非屏蔽，焊杯不带线。

M12 x 1 Male Panel Mount Receptacle, Rear Mounting, Unshielded, Soldering without wire.

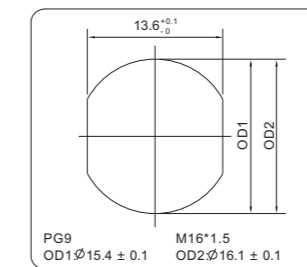


技术数据 Technical Data

| | | | |
|----------------------------|-----------------------------|----------------------------------|-------------------------------|
| 标准 Standard | IEC 61076 | 端子载体材料 Contact carriers material | PA |
| 系列 Series | M12, Male | 端子材料 Contact material | Copper Alloy, Gold-plated |
| Pin针数量 Number of Pins | 03,04,05,06,08,10,12,17 Pin | 金属螺母 Metal of nut | Zinc Alloy with Nickel Plated |
| 额定电流 Rated Current | 4A max. | 胶圈 Seal | Silicone |
| 额定电压 Rated voltage | 250V max. | 机械寿命 Mechanical life | > 100 mating cycles |
| 绝缘电阻 Insulation resistance | ≥100MΩ | | |
| 接触电阻 Contact resistance | ≤5mΩ | | |
| 运行温度 Ambient temperature | -40 ~ +105°C | | |
| 防护等级 IP Class | IP68 | | |

| 针数 Number of Pins | | 10 Pin | 12 Pin | 17 Pin | 05 Pin | 04 Pin |
|--------------------|----------------|----------------------------|----------------------------|----------------------------|----------------------------|----------------------------|
| 编码 Coding | 编码 Coded | A-Coded | A-Coded | A-Coded | B-Coded | D-Coded |
| | 正面图 Front View | | | | | |
| 额定电流 Rated current | A. | 1.5A | 1.5A | 1.5A | 4A | 4A |
| 额定电压 Rated voltage | V. | 30V | 30V | 30V | 60V | 250V |
| 描述 Description | 订单号 Order NO. | SD-M12A-10P-MM-SF8001-00AH | SD-M12A-12P-MM-SF8001-00AH | SD-M12A-17P-MM-SF8001-00AH | SD-M12B-05P-MM-SF8001-00AH | SD-M12D-04P-MM-SF8001-00AH |
| 定制化 Customized | | | | | | |
| | | SD-M12A-10P-MM-SF8002-00AH | SD-M12A-12P-MM-SF8002-00AH | SD-M12A-17P-MM-SF8002-00AH | SD-M12B-05P-MM-SF8002-00AH | SD-M12D-04P-MM-SF8002-00AH |
| 定制化 Customized | | | | | | |

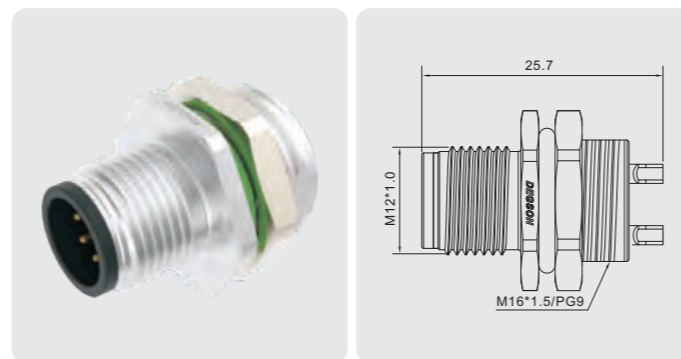
尺寸图 Dimension Figure



安装尺寸 Panel Cut-Out

M12 x 1 针式面板安装插座，板前安装，非屏蔽，焊杯不带线。

M12 x 1 Male Panel Mount Receptacle, Front Mounting, Unshielded, Soldering without wire.

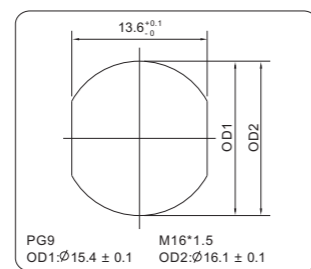


技术数据 Technical Data

| | | | |
|----------------------------|-----------------------------|----------------------------------|-------------------------------|
| 标准 Standard | IEC 61076 | 端子载体材料 Contact carriers material | PA |
| 系列 Series | M12, Male | 端子材料 Contact material | Copper Alloy, Gold-plated |
| Pin针数量 Number of Pins | 03,04,05,06,08,10,12,17 Pin | 金属螺母 Metal of nut | Zinc Alloy with Nickel Plated |
| 额定电流 Rated Current | 4A max. | 胶圈 Seal | Silicone |
| 额定电压 Rated voltage | 250V max. | 机械寿命 Mechanical life | > 100 mating cycles |
| 绝缘电阻 Insulation resistance | ≥100MΩ | | |
| 接触电阻 Contact resistance | ≤5mΩ | | |
| 运行温度 Ambient temperature | -40 ~ +105°C | | |
| 防护等级 IP Class | IP68 | | |

| 针数 Number of Pins | | 03 Pin | 04 Pin | 05 Pin | 06 Pin | 08 Pin |
|--------------------|----------------------------|----------------------------|----------------------------|----------------------------|----------------------------|---------------|
| 编码 Coding | 编码 Coded | A-Coded | A-Coded | A-Coded | A-Coded | A-Coded |
| | 正面图 Front View | | | | | |
| 额定电流 Rated current | A. | 4A | 4A | 4A | 2A | 2A |
| 额定电压 Rated voltage | V. | 250V | 250V | 60V | 30V | 30V |
| 描述 Description | 订单号 Order NO. | 订单号 Order NO. | 订单号 Order NO. | 订单号 Order NO. | 订单号 Order NO. | 订单号 Order NO. |
| PG9 | SD-M12A-03P-MM-SH8001-00AH | SD-M12A-04P-MM-SH8001-00AH | SD-M12A-05P-MM-SH8001-00AH | SD-M12A-06P-MM-SH8001-00AH | SD-M12A-08P-MM-SH8001-00AH | |
| 定制化 Customized | | | | | | |
| M16*1.5 | SD-M12A-03P-MM-SH8002-00AH | SD-M12A-04P-MM-SH8002-00AH | SD-M12A-05P-MM-SH8002-00AH | SD-M12A-06P-MM-SH8002-00AH | SD-M12A-08P-MM-SH8002-00AH | |
| 定制化 Customized | | | | | | |

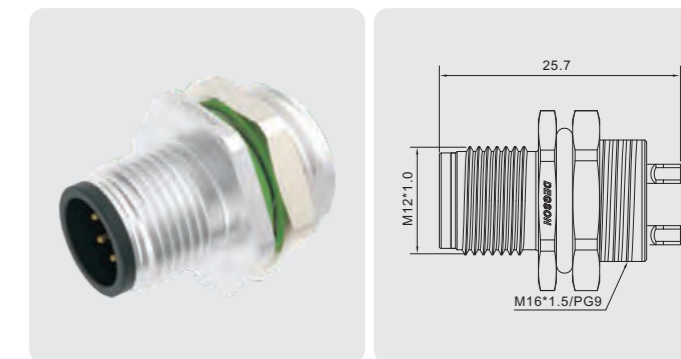
尺寸图 Dimension Figure



安装尺寸 Panel Cut-Out

M12 x 1 针式面板安装插座，板前安装，非屏蔽，焊杯不带线。

M12 x 1 Male Panel Mount Receptacle, Front Mounting, Unshielded, Soldering without wire.

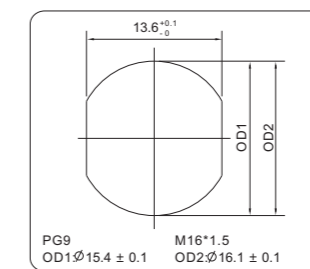


技术数据 Technical Data

| | | | |
|----------------------------|-----------------------------|----------------------------------|-------------------------------|
| 标准 Standard | IEC 61076 | 端子载体材料 Contact carriers material | PA |
| 系列 Series | M12, Male | 端子材料 Contact material | Copper Alloy, Gold-plated |
| Pin针数量 Number of Pins | 03,04,05,06,08,10,12,17 Pin | 金属螺母 Metal of nut | Zinc Alloy with Nickel Plated |
| 额定电流 Rated Current | 4A max. | 胶圈 Seal | Silicone |
| 额定电压 Rated voltage | 250V max. | 机械寿命 Mechanical life | > 100 mating cycles |
| 绝缘电阻 Insulation resistance | ≥100MΩ | | |
| 接触电阻 Contact resistance | ≤5mΩ | | |
| 运行温度 Ambient temperature | -40 ~ +105°C | | |
| 防护等级 IP Class | IP68 | | |

| 针数 Number of Pins | | 10 Pin | 12 Pin | 17 Pin | 05 Pin | 04 Pin |
|--------------------|----------------------------|----------------------------|----------------------------|----------------------------|----------------------------|---------------|
| 编码 Coding | 编码 Coded | A-Coded | A-Coded | A-Coded | B-Coded | D-Coded |
| | 正面图 Front View | | | | | |
| 额定电流 Rated current | A. | 1.5A | 1.5A | 1.5A | 4A | 4A |
| 额定电压 Rated voltage | V. | 30V | 30V | 30V | 60V | 250V |
| 描述 Description | 订单号 Order NO. | 订单号 Order NO. | 订单号 Order NO. | 订单号 Order NO. | 订单号 Order NO. | 订单号 Order NO. |
| PG9 | SD-M12A-10P-MM-SH8001-00AH | SD-M12A-12P-MM-SH8001-00AH | SD-M12A-17P-MM-SH8001-00AH | SD-M12B-05P-MM-SH8001-00AH | SD-M12D-04P-MM-SH8001-00AH | |
| 定制化 Customized | | | | | | |
| M16*1.5 | SD-M12A-10P-MM-SH8002-00AH | SD-M12A-12P-MM-SH8002-00AH | SD-M12A-17P-MM-SH8002-00AH | SD-M12B-05P-MM-SH8002-00AH | SD-M12D-04P-MM-SH8002-00AH | |
| 定制化 Customized | | | | | | |

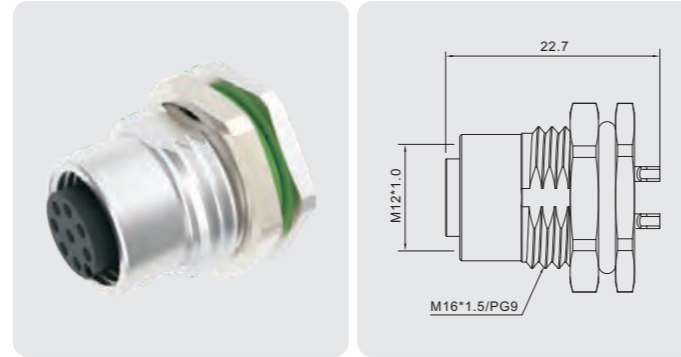
尺寸图 Dimension Figure



安装尺寸 Panel Cut-Out

M12 x 1 孔式面板安装插座，板后安装，非屏蔽，焊杯不带线。

M12 x 1 Female Panel Mount Receptacle, Rear Mounting, Unshielded, Soldering without wire.

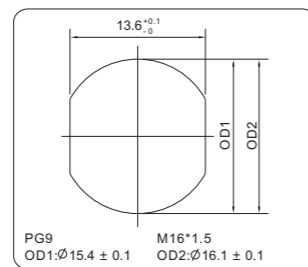


技术数据 Technical Data

| | | | |
|----------------------------|----------------------------|----------------------------------|-------------------------------|
| 标准 Standard | IEC 61076 | 端子载体材料 Contact carriers material | PA |
| 系列 Series | M12, Female | 端子材料 Contact material | Copper Alloy, Gold-plated |
| Pin针数量 Number of Pins | 03,04,05,06,08,10,12,17Pin | 金属螺母 Metal of nut | Zinc Alloy with Nickel Plated |
| 额定电流 Rated Current | 4A max. | 胶圈 Seal | Silicone |
| 额定电压 Rated voltage | 250V max. | 机械寿命 Mechanical life | > 100 mating cycles |
| 绝缘电阻 Insulation resistance | ≥100MΩ | | |
| 接触电阻 Contact resistance | ≤5mΩ | | |
| 运行温度 Ambient temperature | - 40 ~ + 105°C | | |
| 防护等级 IP Class | IP68 | | |

| 针数 Number of Pins | | 03 Pin | 04 Pin | 05 Pin | 06 Pin | 08 Pin |
|--------------------|----------------------------|----------------------------|----------------------------|----------------------------|----------------------------|----------------------------|
| 编码 Coding | 编码 Coded | A-Coded | A-Coded | A-Coded | A-Coded | A-Coded |
| | 正面图 Front View | | | | | |
| 额定电流 Rated current | A. | 4A | 4A | 4A | 2A | 2A |
| 额定电压 Rated voltage | V. | 250V | 250V | 60V | 30V | 30V |
| 描述 Description | 订单号 Order NO . | 订单号 Order NO . | 订单号 Order NO . | 订单号 Order NO . | 订单号 Order NO . | 订单号 Order NO . |
| PG9 | SD-M12A-03P-FF-SF8001-00AH | SD-M12A-04P-FF-SF8001-00AH | SD-M12A-05P-FF-SF8001-00AH | SD-M12A-06P-FF-SF8001-00AH | SD-M12A-08P-FF-SF8001-00AH | SD-M12A-08P-FF-SF8001-00AH |
| 定制化 Customized | | | | | | |
| M16*1.5 | SD-M12A-03P-FF-SF8002-00AH | SD-M12A-04P-FF-SF8002-00AH | SD-M12A-05P-FF-SF8002-00AH | SD-M12A-06P-FF-SF8002-00AH | SD-M12A-08P-FF-SF8002-00AH | SD-M12A-08P-FF-SF8002-00AH |
| 定制化 Customized | | | | | | |

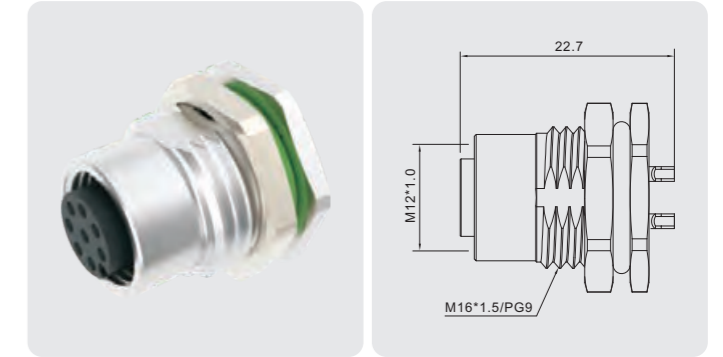
尺寸图 Dimension Figure



安装尺寸 Panel Cut-Out

M12 x 1 孔式面板安装插座，板后安装，非屏蔽，焊杯不带线。

M12 x 1 Female Panel Mount Receptacle, Rear Mounting, Unshielded, Soldering without wire.

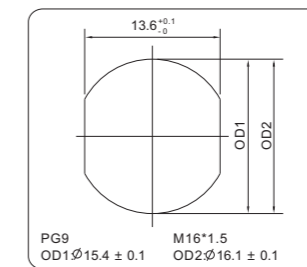


技术数据 Technical Data

| | | | |
|----------------------------|-----------------------------|----------------------------------|-------------------------------|
| 标准 Standard | IEC 61076 | 端子载体材料 Contact carriers material | PA |
| 系列 Series | M12, Female | 端子材料 Contact material | Copper Alloy, Gold-plated |
| Pin针数量 Number of Pins | 03,04,05,06,08,10,12,17 Pin | 金属螺母 Metal of nut | Zinc Alloy with Nickel Plated |
| 额定电流 Rated Current | 4A max. | 胶圈 Seal | Silicone |
| 额定电压 Rated voltage | 250V max. | 机械寿命 Mechanical life | > 100 mating cycles |
| 绝缘电阻 Insulation resistance | ≥100MΩ | | |
| 接触电阻 Contact resistance | ≤5mΩ | | |
| 运行温度 Ambient temperature | - 40 ~ + 105°C | | |
| 防护等级 IP Class | IP68 | | |

| 针数 Number of Pins | | 10 Pin | 12 Pin | 17 Pin | 05 Pin | 04 Pin |
|--------------------|----------------------------|----------------------------|----------------------------|----------------------------|----------------------------|----------------------------|
| 编码 Coding | 编码 Coded | A-Coded | A-Coded | A-Coded | B-Coded | D-Coded |
| | 正面图 Front View | | | | | |
| 额定电流 Rated current | A. | 1.5A | 1.5A | 1.5A | 4A | 4A |
| 额定电压 Rated voltage | V. | 30V | 30V | 30V | 60V | 250V |
| 描述 Description | 订单号 Order NO . | 订单号 Order NO . | 订单号 Order NO . | 订单号 Order NO . | 订单号 Order NO . | 订单号 Order NO . |
| PG9 | SD-M12A-10P-FF-SF8001-00AH | SD-M12A-12P-FF-SF8001-00AH | SD-M12A-17P-FF-SF8001-00AH | SD-M12B-05P-FF-SF8001-00AH | SD-M12D-04P-FF-SF8001-00AH | SD-M12D-04P-FF-SF8001-00AH |
| 定制化 Customized | | | | | | |
| M16*1.5 | SD-M12A-10P-FF-SF8002-00AH | SD-M12A-12P-FF-SF8002-00AH | SD-M12A-17P-FF-SF8002-00AH | SD-M12B-05P-FF-SF8002-00AH | SD-M12D-04P-FF-SF8002-00AH | SD-M12D-04P-FF-SF8002-00AH |
| 定制化 Customized | | | | | | |

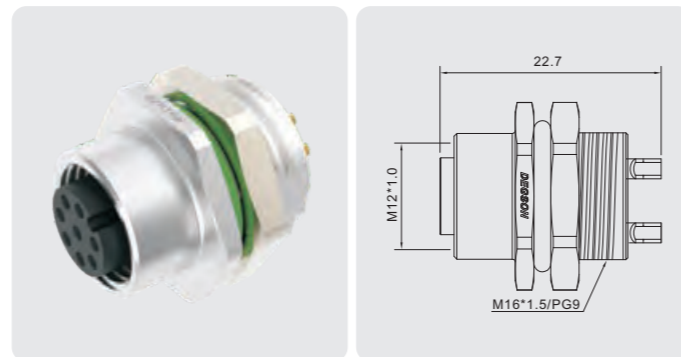
尺寸图 Dimension Figure



安装尺寸 Panel Cut-Out

M12 x 1 孔式面板安装插座，板前安装，非屏蔽，焊杯不带线。

M12 x 1 Female Panel Mount Receptacle, Front Mounting, Unshielded, Soldering without wire.

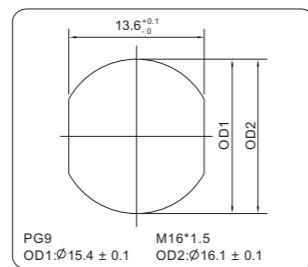


技术数据 Technical Data

| | | | |
|----------------------------|-----------------------------|----------------------------------|-------------------------------|
| 标准 Standard | IEC 61076 | 端子载体材料 Contact carriers material | PA |
| 系列 Series | M12, Female | 端子材料 Contact material | Copper Alloy, Gold-plated |
| Pin针数量 Number of Pins | 03,04,05,06,08,10,12,17 Pin | 金属螺母 Metal of nut | Zinc Alloy with Nickel Plated |
| 额定电流 Rated Current | 4A max. | 胶圈 Seal | Silicone |
| 额定电压 Rated voltage | 250V max. | 机械寿命 Mechanical life | > 100 mating cycles |
| 绝缘电阻 Insulation resistance | ≥100MΩ | | |
| 接触电阻 Contact resistance | ≤5mΩ | | |
| 运行温度 Ambient temperature | -40 ~ +105°C | | |
| 防护等级 IP Class | IP68 | | |

| 针数 Number of Pins | | 03 Pin | 04 Pin | 05 Pin | 06 Pin | 08 Pin |
|--------------------|----------------------------|----------------------------|----------------------------|----------------------------|----------------------------|----------------------------|
| 编码 Coding | 编码 Coded | A-Coded | A-Coded | A-Coded | A-Coded | A-Coded |
| | 正面图 Front View | | | | | |
| 额定电流 Rated current | A. | 4A | 4A | 4A | 2A | 2A |
| 额定电压 Rated voltage | V. | 250V | 250V | 60V | 30V | 30V |
| 描述 Description | 订单号 Order NO. | 订单号 Order NO. | 订单号 Order NO. | 订单号 Order NO. | 订单号 Order NO. | 订单号 Order NO. |
| PG9 | SD-M12A-03P-FF-SH8001-00AH | SD-M12A-04P-FF-SH8001-00AH | SD-M12A-05P-FF-SH8001-00AH | SD-M12A-06P-FF-SH8001-00AH | SD-M12A-08P-FF-SH8001-00AH | SD-M12A-08P-FF-SH8001-00AH |
| 定制化 Customized | | | | | | |
| M16*1.5 | SD-M12A-03P-FF-SH8002-00AH | SD-M12A-04P-FF-SH8002-00AH | SD-M12A-05P-FF-SH8002-00AH | SD-M12A-06P-FF-SH8002-00AH | SD-M12A-08P-FF-SH8002-00AH | SD-M12A-08P-FF-SH8002-00AH |
| 定制化 Customized | | | | | | |

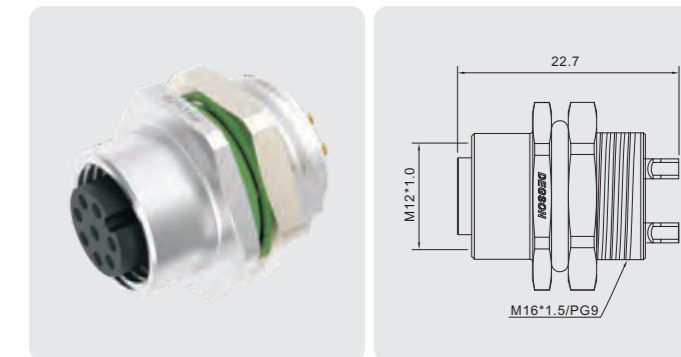
尺寸图 Dimension Figure



安装尺寸 Panel Cut-Out

M12 x 1 孔式面板安装插座，板前安装，非屏蔽，焊杯不带线。

M12 x 1 Female Panel Mount Receptacle, Front Mounting, Unshielded, Soldering without wire.

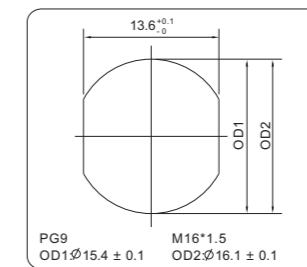


技术数据 Technical Data

| | | | |
|----------------------------|-----------------------------|----------------------------------|-------------------------------|
| 标准 Standard | IEC 61076 | 端子载体材料 Contact carriers material | PA |
| 系列 Series | M12, Female | 端子材料 Contact material | Copper Alloy, Gold-plated |
| Pin针数量 Number of Pins | 03,04,05,06,08,10,12,17 Pin | 金属螺母 Metal of nut | Zinc Alloy with Nickel Plated |
| 额定电流 Rated Current | 4A max. | 胶圈 Seal | Silicone |
| 额定电压 Rated voltage | 250V max. | 机械寿命 Mechanical life | > 100 mating cycles |
| 绝缘电阻 Insulation resistance | ≥100MΩ | | |
| 接触电阻 Contact resistance | ≤5mΩ | | |
| 运行温度 Ambient temperature | -40 ~ +105°C | | |
| 防护等级 IP Class | IP68 | | |

| 针数 Number of Pins | | 10 Pin | 12 Pin | 17 Pin | 05 Pin | 04 Pin |
|--------------------|----------------------------|----------------------------|----------------------------|----------------------------|----------------------------|----------------------------|
| 编码 Coding | 编码 Coded | A-Coded | A-Coded | A-Coded | B-Coded | D-Coded |
| | 正面图 Front View | | | | | |
| 额定电流 Rated current | A. | 1.5A | 1.5A | 1.5A | 4A | 4A |
| 额定电压 Rated voltage | V. | 30V | 30V | 30V | 60V | 250V |
| 描述 Description | 订单号 Order NO. | 订单号 Order NO. | 订单号 Order NO. | 订单号 Order NO. | 订单号 Order NO. | 订单号 Order NO. |
| PG9 | SD-M12A-10P-FF-SH8001-00AH | SD-M12A-12P-FF-SH8001-00AH | SD-M12A-17P-FF-SH8001-00AH | SD-M12B-05P-FF-SH8001-00AH | SD-M12D-04P-FF-SH8001-00AH | SD-M12D-04P-FF-SH8001-00AH |
| 定制化 Customized | | | | | | |
| M16*1.5 | SD-M12A-10P-FF-SH8002-00AH | SD-M12A-12P-FF-SH8002-00AH | SD-M12A-17P-FF-SH8002-00AH | SD-M12B-05P-FF-SH8002-00AH | SD-M12D-04P-FF-SH8002-00AH | SD-M12D-04P-FF-SH8002-00AH |
| 定制化 Customized | | | | | | |

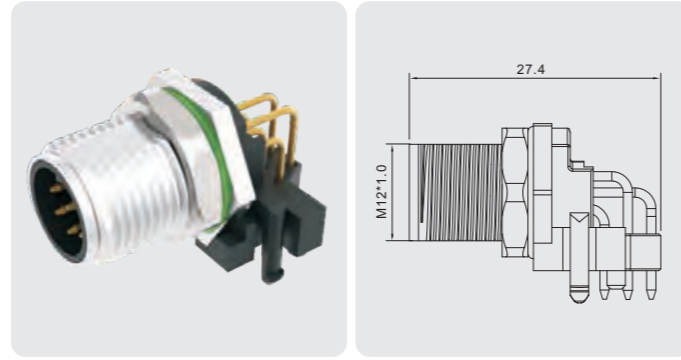
尺寸图 Dimension Figure



安装尺寸 Panel Cut-Out

M12 x 1 针式面板安装插座，板后安装，非屏蔽，PCB焊接。

M12 x 1 Male Panel Mount Receptacle, Rear Mounting, Unshielded, PCB Soldering.

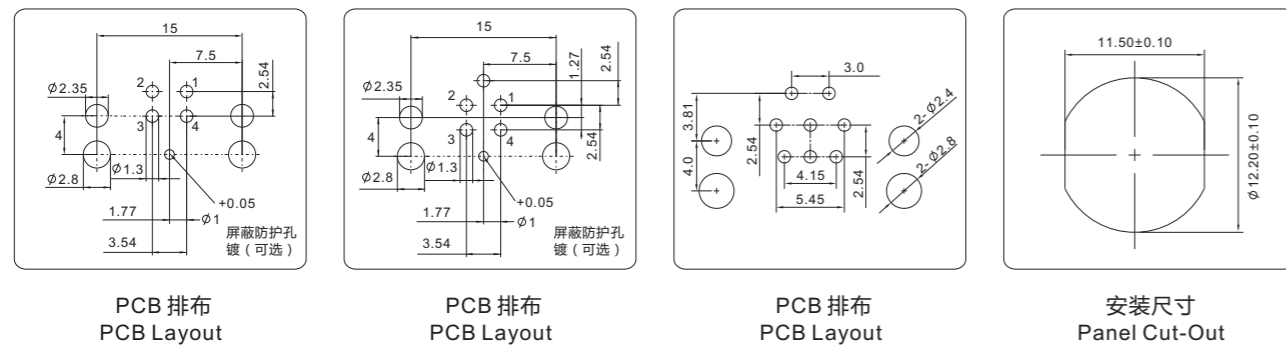


技术数据 Technical Data

| | | | |
|----------------------------|--------------------|----------------------------------|-------------------------------|
| 标准 Standard | IEC 61076 | 端子载体材料 Contact carriers material | PA |
| 系列 Series | M12, Male | 端子材料 Contact material | Copper Alloy, Gold-plated |
| Pin针数量 Number of Pins | 03,04,05,06,08 Pin | 金属螺母 Metal of nut | Zinc Alloy with Nickel Plated |
| 额定电流 Rated Current | 4A max. | 胶圈 Seal | Silicone |
| 额定电压 Rated voltage | 250V max. | 机械寿命 Mechanical life | > 100 mating cycles |
| 绝缘电阻 Insulation resistance | ≥100MΩ | | |
| 接触电阻 Contact resistance | ≤5mΩ | | |
| 运行温度 Ambient temperature | -40 ~ +105°C | | |
| 防护等级 IP Class | IP67 | | |

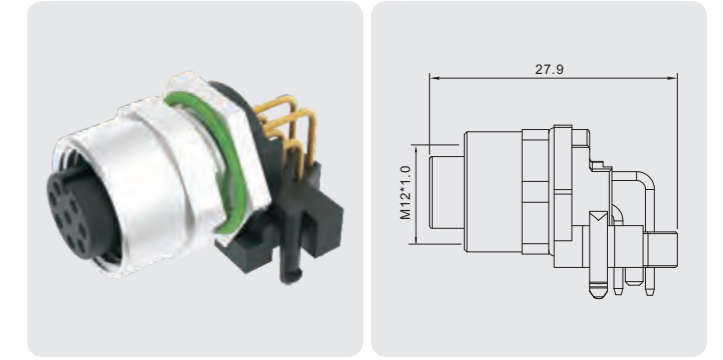
| 针数 Number of Pins | 04 Pin | | 05 Pin | | 08 Pin | |
|--------------------|----------------|----------------------------|----------------------------|----------------------------|----------------------------|----------------------------|
| | 编码 Coded | A-Coded | D-Coded | A-Coded | B-Coded | A-Coded |
| 编码 Coding | 正面图 Front View | | | | | |
| 额定电流 Rated current | A. | 4A | 4A | 4A | 4A | 2A |
| 额定电压 Rated voltage | V. | 250V | 250V | 60V | 60V | 30V |
| 描述 Description | 订单号 Order NO. | SR-M12A-04P-MM-SF7003-00AH | SR-M12D-04P-MM-SF7003-00AH | SR-M12A-05P-MM-SF7003-00AH | SR-M12B-05P-MM-SF7003-00AH | SR-M12A-08P-MM-SF7003-00AH |
| 定制化 Customized | | | | | | |

尺寸图 Dimension Figure



M12 x 1 孔式面板安装插座，板后安装，非屏蔽，PCB焊接。

M12 x 1 Female Panel Mount Receptacle, Rear Mounting, Unshielded, PCB Soldering.

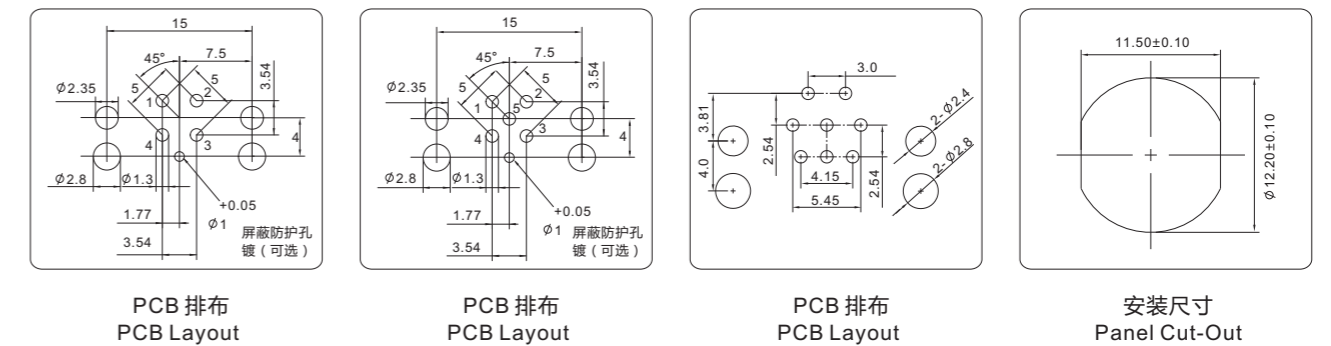


技术数据 Technical Data

| | | | |
|----------------------------|--------------------|----------------------------------|-------------------------------|
| 标准 Standard | IEC 61076 | 端子载体材料 Contact carriers material | PA |
| 系列 Series | M12, Female | 端子材料 Contact material | Copper Alloy, Gold-plated |
| Pin针数量 Number of Pins | 03,04,05,06,08 Pin | 金属螺母 Metal of nut | Zinc Alloy with Nickel Plated |
| 额定电流 Rated Current | 4A max. | 胶圈 Seal | Silicone |
| 额定电压 Rated voltage | 250V max. | 机械寿命 Mechanical life | > 100 mating cycles |
| 绝缘电阻 Insulation resistance | ≥100MΩ | | |
| 接触电阻 Contact resistance | ≤5mΩ | | |
| 运行温度 Ambient temperature | -40 ~ +105°C | | |
| 防护等级 IP Class | IP67 | | |

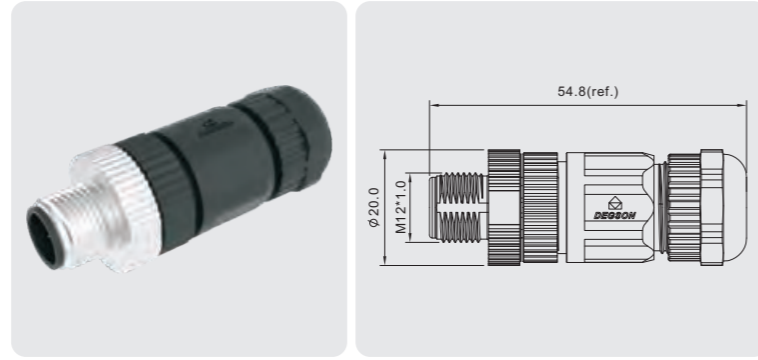
| 针数 Number of Pins | 04 Pin | | 05 Pin | | 08 Pin | |
|--------------------|----------------|----------------------------|----------------------------|----------------------------|----------------------------|----------------------------|
| | 编码 Coded | A-Coded | D-Coded | A-Coded | B-Coded | A-Coded |
| 编码 Coding | 正面图 Front View | | | | | |
| 额定电流 Rated current | A. | 4A | 4A | 4A | 4A | 2A |
| 额定电压 Rated voltage | V. | 250V | 250V | 60V | 60V | 30V |
| 描述 Description | 订单号 Order NO. | SR-M12A-04P-FF-SF7003-00AH | SR-M12D-04P-FF-SF7003-00AH | SR-M12A-05P-FF-SF7003-00AH | SR-M12B-05P-FF-SF7003-00AH | SR-M12A-08P-FF-SF7003-00AH |
| 定制化 Customized | | | | | | |

尺寸图 Dimension Figure



M12 x 1 针式现场组装插头。非屏蔽，螺钉连接，直头。

M12 x 1 Male Field Assembly Plug, Unshielded, Screw Connection, Straight.

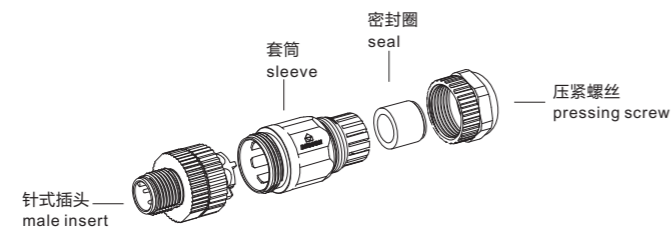


技术数据 Technical Data

| | | | |
|----------------------------|--------------------|----------------------------------|-------------------------------|
| 标准 Standard | IEC 61076 | 端子载体材料 Contact carriers material | PA |
| 系列 Series | M12, Male | 端子材料 Contact material | Copper Alloy, Gold-plated |
| Pin针数量 Number of Pins | 03,04,05,06,08 Pin | 金属螺母 Metal of nut | Zinc Alloy with Nickel Plated |
| 额定电流 Rated Current | 4A max. | 胶圈 Seal | Silicone |
| 额定电压 Rated voltage | 250V max. | 屏蔽 Shielding | Unshielded |
| 绝缘电阻 Insulation resistance | ≥100MΩ | 机械寿命 Mechanical life | > 100 mating cycles |
| 接触电阻 Contact resistance | ≤5mΩ | — | — |
| 运行温度 Ambient temperature | - 25 ~ + 105°C | — | — |
| 防护等级 IP Class | IP67 | — | — |

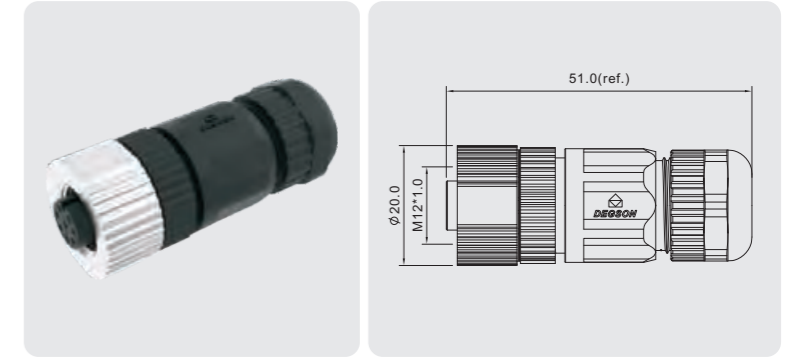
| 针数 Number of Pins | | 03 Pin | 04 Pin | | 05 Pin | | 06 Pin | 08 Pin |
|--------------------|----------------------------|----------------------------|----------------------------|----------------------------|----------------------------|----------------------------|----------------------------|---------------------|
| 编码 Coding | 编码 Coded | A-Coded | A-Coded | D-Coded | A-Coded | B-Coded | A-Coded | A-Coded |
| | 正面图 Front View | | | | | | | |
| 额定电流 Rated current | A. | 4A | 4A | 4A | 4A | 4A | 2A | 2A |
| 额定电压 Rated voltage | V. | 250V | 250V | 250V | 60V | 60V | 30V | 30V |
| 电线电缆 Wire/Cable | 线规 Wire gauge | 22AWG | 22AWG | 22AWG | 22AWG | 22AWG | 24AWG | 24AWG |
| | 横截面 Cross section | 0.34mm ² | 0.34mm ² | 0.34mm ² | 0.34mm ² | 0.34mm ² | 0.25mm ² | 0.25mm ² |
| 描述 Description | 订单号 Order NO . | 订单号 Order NO . | 订单号 Order NO . | 订单号 Order NO . | 订单号 Order NO . | 订单号 Order NO . | 订单号 Order NO . | 订单号 Order NO . |
| — | PB-M12A-03P-MM-SL7001-00AH | PB-M12A-04P-MM-SL7001-00AH | PB-M12D-04P-MM-SL7001-00AH | PB-M12A-05P-MM-SL7001-00AH | PB-M12B-05P-MM-SL7001-00AH | PB-M12A-06P-MM-SL7001-00AH | PB-M12A-08P-MM-SL7001-00AH | |

零件图 Component part drawing



M12 x 1 孔式现场组装插头。非屏蔽，螺钉连接，直头。

M12 x 1 Female Field Assembly Plug, Unshielded, Screw Connection, Straight.

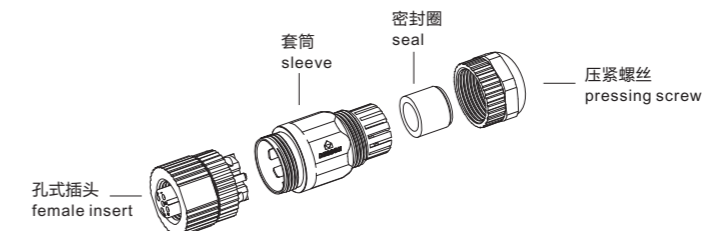


技术数据 Technical Data

| | | | |
|----------------------------|--------------------|----------------------------------|-------------------------------|
| 标准 Standard | IEC 61076 | 端子载体材料 Contact carriers material | PA |
| 系列 Series | M12, Female | 端子材料 Contact material | Copper Alloy, Gold-plated |
| Pin针数量 Number of Pins | 03,04,05,06,08 Pin | 金属螺母 Metal of nut | Zinc Alloy with Nickel Plated |
| 额定电流 Rated Current | 4A max. | 胶圈 Seal | Silicone |
| 额定电压 Rated voltage | 250V max. | 屏蔽 Shielding | Unshielded |
| 绝缘电阻 Insulation resistance | ≥100MΩ | 机械寿命 Mechanical life | > 100 mating cycles |
| 接触电阻 Contact resistance | ≤5mΩ | — | — |
| 运行温度 Ambient temperature | - 25 ~ + 105°C | — | — |
| 防护等级 IP Class | IP67 | — | — |

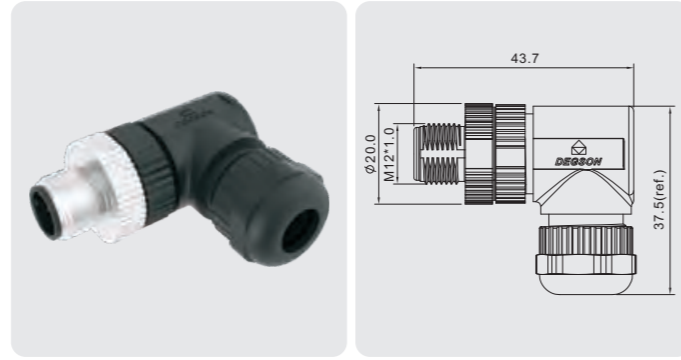
| 针数 Number of Pins | | 03 Pin | 04 Pin | | 05 Pin | | 06 Pin | 08 Pin |
|--------------------|----------------------------|----------------------------|----------------------------|----------------------------|----------------------------|----------------------------|----------------------------|---------------------|
| 编码 Coding | 编码 Coded | A-Coded | A-Coded | D-Coded | A-Coded | B-Coded | A-Coded | A-Coded |
| | 正面图 Front View | | | | | | | |
| 额定电流 Rated current | A. | 4A | 4A | 4A | 4A | 4A | 2A | 2A |
| 额定电压 Rated voltage | V. | 250V | 250V | 250V | 60V | 60V | 30V | 30V |
| 电线电缆 Wire/Cable | 线规 Wire gauge | 22AWG | 22AWG | 22AWG | 22AWG | 22AWG | 24AWG | 24AWG |
| | 横截面 Cross section | 0.34mm ² | 0.34mm ² | 0.34mm ² | 0.34mm ² | 0.34mm ² | 0.25mm ² | 0.25mm ² |
| 描述 Description | 订单号 Order NO . | 订单号 Order NO . | 订单号 Order NO . | 订单号 Order NO . | 订单号 Order NO . | 订单号 Order NO . | 订单号 Order NO . | |
| — | PB-M12A-03P-FF-SL7001-00AH | PB-M12A-04P-FF-SL7001-00AH | PB-M12D-04P-FF-SL7001-00AH | PB-M12A-05P-FF-SL7001-00AH | PB-M12B-05P-FF-SL7001-00AH | PB-M12A-06P-FF-SL7001-00AH | PB-M12A-08P-FF-SL7001-00AH | |

零件图 Component part drawing



M12 x 1 针式现场组装插头。非屏蔽，螺钉连接，弯头。

M12 x 1 Male Field Assembly Plug, Unshielded, Screw Connection, Angled.

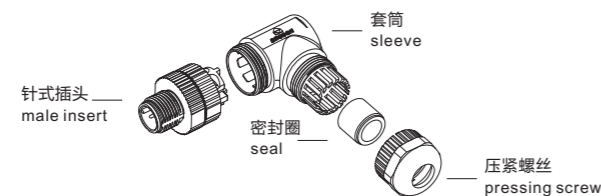


技术数据 Technical Data

| | | | |
|----------------------------|--------------------|----------------------------------|-------------------------------|
| 标准 Standard | IEC 61076 | 端子载体材料 Contact carriers material | PA |
| 系列 Series | M12, Male | 端子材料 Contact material | Copper Alloy, Gold-plated |
| Pin针数量 Number of Pins | 03,04,05,06,08 Pin | 金属螺母 Metal of nut | Zinc Alloy with Nickel Plated |
| 额定电流 Rated Current | 4A max. | 胶圈 Seal | Silicone |
| 额定电压 Rated voltage | 250V max. | 屏蔽 Shielding | Unshielded |
| 绝缘电阻 Insulation resistance | ≥100MΩ | 机械寿命 Mechanical life | > 100 mating cycles |
| 接触电阻 Contact resistance | ≤5mΩ | — | — |
| 运行温度 Ambient temperature | - 25 ~ + 105°C | — | — |
| 防护等级 IP Class | IP67 | — | — |

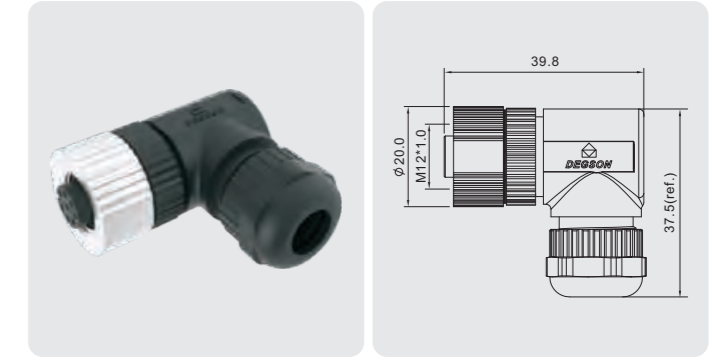
| 针数 Number of Pins | | 03 Pin | 04 Pin | | 05 Pin | | 06 Pin | 08 Pin |
|--------------------|----------------------------|----------------------------|----------------------------|----------------------------|----------------------------|----------------------------|----------------------------|---------------------|
| 编码 Coding | 编码 Coded | A-Coded | A-Coded | D-Coded | A-Coded | B-Coded | A-Coded | A-Coded |
| | 正面图 Front View | | | | | | | |
| 额定电流 Rated current | A. | 4A | 4A | 4A | 4A | 4A | 2A | 2A |
| 额定电压 Rated voltage | V. | 250V | 250V | 250V | 60V | 60V | 30V | 30V |
| 电线电缆 Wire/Cable | 线规 Wire gauge | 22AWG | 22AWG | 22AWG | 22AWG | 22AWG | 24AWG | 24AWG |
| | 横截面 Cross section | 0.34mm ² | 0.34mm ² | 0.34mm ² | 0.34mm ² | 0.34mm ² | 0.25mm ² | 0.25mm ² |
| 描述 Description | 订单号 Order NO. | 订单号 Order NO. | 订单号 Order NO. | 订单号 Order NO. | 订单号 Order NO. | 订单号 Order NO. | 订单号 Order NO. | 订单号 Order NO. |
| — | PB-M12A-03P-MM-SR7001-00AH | PB-M12A-04P-MM-SR7001-00AH | PB-M12D-04P-MM-SR7001-00AH | PB-M12A-05P-MM-SR7001-00AH | PB-M12B-05P-MM-SR7001-00AH | PB-M12A-06P-MM-SR7001-00AH | PB-M12A-08P-MM-SR7001-00AH | |

零件图 Component part drawing



M12 x 1 孔式现场组装插头。非屏蔽，螺钉连接，弯头。

M12 x 1 Female Field Assembly Plug, Unshielded, Screw Connection, Angled.

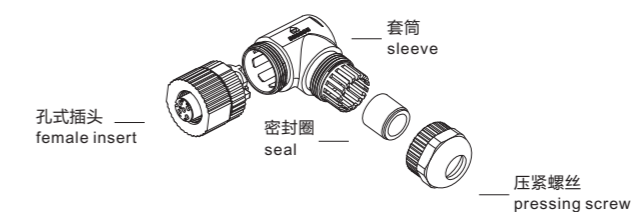


技术数据 Technical Data

| | | | |
|----------------------------|--------------------|----------------------------------|-------------------------------|
| 标准 Standard | IEC 61076 | 端子载体材料 Contact carriers material | PA |
| 系列 Series | M12, Female | 端子材料 Contact material | Copper Alloy, Gold-plated |
| Pin针数量 Number of Pins | 03,04,05,06,08 Pin | 金属螺母 Metal of nut | Zinc Alloy with Nickel Plated |
| 额定电流 Rated Current | 4A max. | 胶圈 Seal | Silicone |
| 额定电压 Rated voltage | 250V max. | 屏蔽 Shielding | Unshielded |
| 绝缘电阻 Insulation resistance | ≥100MΩ | 机械寿命 Mechanical life | > 100 mating cycles |
| 接触电阻 Contact resistance | ≤5mΩ | — | — |
| 运行温度 Ambient temperature | - 25 ~ + 105°C | — | — |
| 防护等级 IP Class | IP67 | — | — |

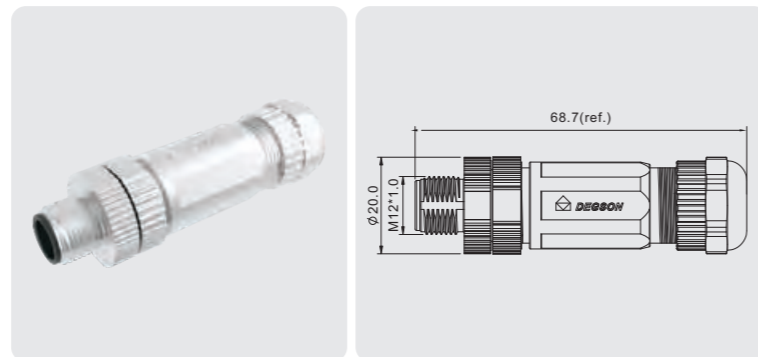
| 针数 Number of Pins | | 03 Pin | 04 Pin | | 05 Pin | | 06 Pin | 08 Pin |
|--------------------|----------------------------|----------------------------|----------------------------|----------------------------|----------------------------|----------------------------|----------------------------|---------------------|
| 编码 Coding | 编码 Coded | A-Coded | A-Coded | D-Coded | A-Coded | B-Coded | A-Coded | A-Coded |
| | 正面图 Front View | | | | | | | |
| 额定电流 Rated current | A. | 4A | 4A | 4A | 4A | 4A | 2A | 2A |
| 额定电压 Rated voltage | V. | 250V | 250V | 250V | 60V | 60V | 30V | 30V |
| 电线电缆 Wire/Cable | 线规 Wire gauge | 22AWG | 22AWG | 22AWG | 22AWG | 22AWG | 24AWG | 24AWG |
| | 横截面 Cross section | 0.34mm ² | 0.34mm ² | 0.34mm ² | 0.34mm ² | 0.34mm ² | 0.25mm ² | 0.25mm ² |
| 描述 Description | 订单号 Order NO. | 订单号 Order NO. | 订单号 Order NO. | 订单号 Order NO. | 订单号 Order NO. | 订单号 Order NO. | 订单号 Order NO. | |
| — | PB-M12A-03P-FF-SR7001-00AH | PB-M12A-04P-FF-SR7001-00AH | PB-M12D-04P-FF-SR7001-00AH | PB-M12A-05P-FF-SR7001-00AH | PB-M12B-05P-FF-SR7001-00AH | PB-M12A-06P-FF-SR7001-00AH | PB-M12A-08P-FF-SR7001-00AH | |

零件图 Component part drawing



M12 x 1 针式现场组装插头，屏蔽，螺钉连接，直头。

M12 x 1 Male Field Assembly Plug, Shielded, Screw Connection, Straight.

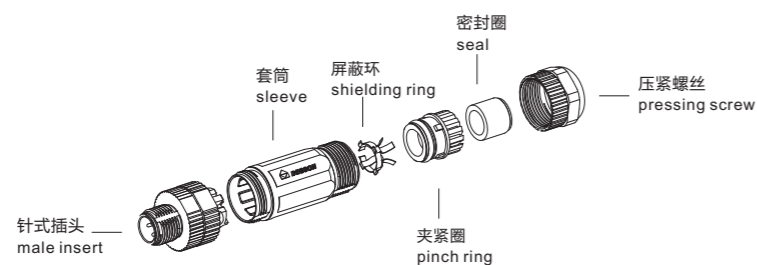


技术数据 Technical Data

| | | | |
|----------------------------|--------------------|----------------------------------|-------------------------------|
| 标准 Standard | IEC 61076 | 端子载体材料 Contact carriers material | PA |
| 系列 Series | M12, Male | 端子材料 Contact material | Copper Alloy, Gold-plated |
| Pin针数量 Number of Pins | 03,04,05,06,08 Pin | 金属螺母 Metal of nut | Zinc Alloy with Nickel Plated |
| 额定电流 Rated Current | 4A max. | 胶圈 Seal | Silicone |
| 额定电压 Rated voltage | 250V max. | 屏蔽 Shielding | Shielded |
| 绝缘电阻 Insulation resistance | ≥100MΩ | 机械寿命 Mechanical life | > 100 mating cycles |
| 接触电阻 Contact resistance | ≤5mΩ | — | — |
| 运行温度 Ambient temperature | - 25 ~ + 105°C | — | — |
| 防护等级 IP Class | IP67 | — | — |

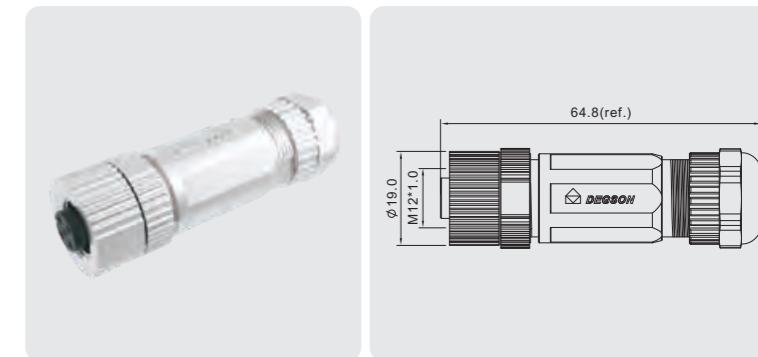
| 针数 Number of Pins | 03 Pin | | 04 Pin | | 05 Pin | | 06 Pin | 08 Pin |
|--|------------------------------|------------------------------|------------------------------|------------------------------|------------------------------|------------------------------|------------------------------|---------------------|
| | 编码 Coded | A-Coded | A-Coded | D-Coded | A-Coded | B-Coded | A-Coded | A-Coded |
| 编码 Coding | 正面图 Front View | | | | | | | |
| 额定电流 Rated current | A. | 4A | 4A | 4A | 4A | 4A | 2A | 2A |
| 额定电压 Rated voltage | V. | 250V | 250V | 250V | 60V | 60V | 30V | 30V |
| 电线电缆 Wire/Cable | 线规 Wire gauge | 22AWG | 22AWG | 22AWG | 22AWG | 22AWG | 24AWG | 24AWG |
| | 横截面 Cross section | 0.34mm ² | 0.34mm ² | 0.34mm ² | 0.34mm ² | 0.34mm ² | 0.25mm ² | 0.25mm ² |
| 描述 Description | 订单号 Order NO. | 订单号 Order NO. | 订单号 Order NO. | 订单号 Order NO. | 订单号 Order NO. | 订单号 Order NO. | 订单号 Order NO. | 订单号 Order NO. |
| 线径范围: 4.5-6.0mm Cable OD: 4.5-6.0mm | PBSH-M12A-03P-MM-SL7001-00AH | PBSH-M12A-04P-MM-SL7001-00AH | PBSH-M12D-04P-MM-SL7001-00AH | PBSH-M12A-05P-MM-SL7001-00AH | PBSH-M12B-05P-MM-SL7001-00AH | PBSH-M12A-06P-MM-SL7001-00AH | PBSH-M12A-08P-MM-SL7001-00AH | |
| 线径范围: 6.0-7.5mm Cable OD: 6.0-7.5mm | PBSH-M12A-03P-MM-SL7002-00AH | PBSH-M12A-04P-MM-SL7002-00AH | PBSH-M12D-04P-MM-SL7002-00AH | PBSH-M12A-05P-MM-SL7002-00AH | PBSH-M12B-05P-MM-SL7002-00AH | PBSH-M12A-06P-MM-SL7002-00AH | PBSH-M12A-08P-MM-SL7002-00AH | |

零件图 Component part drawing



M12 x 1 孔式现场组装插头，屏蔽，螺钉连接，直头。

M12 x 1 Female Field Assembly Plug, Shielded, Screw Connection, Straight.

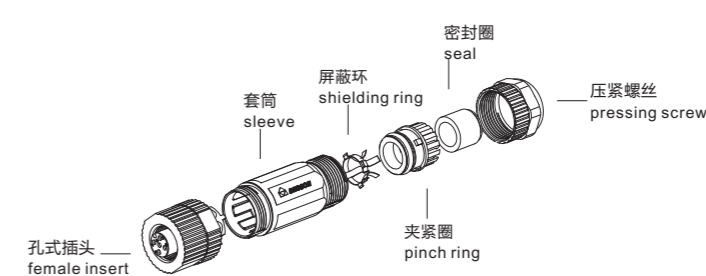


技术数据 Technical Data

| | | | |
|----------------------------|--------------------|----------------------------------|-------------------------------|
| 标准 Standard | IEC 61076 | 端子载体材料 Contact carriers material | PA |
| 系列 Series | M12, Female | 端子材料 Contact material | Copper Alloy, Gold-plated |
| Pin针数量 Number of Pins | 03,04,05,06,08 Pin | 金属螺母 Metal of nut | Zinc Alloy with Nickel Plated |
| 额定电流 Rated Current | 4A max. | 胶圈 Seal | Silicone |
| 额定电压 Rated voltage | 250V max. | 屏蔽 Shielding | Shielded |
| 绝缘电阻 Insulation resistance | ≥100MΩ | 机械寿命 Mechanical life | > 100 mating cycles |
| 接触电阻 Contact resistance | ≤5mΩ | — | — |
| 运行温度 Ambient temperature | - 25 ~ + 105°C | — | — |
| 防护等级 IP Class | IP67 | — | — |

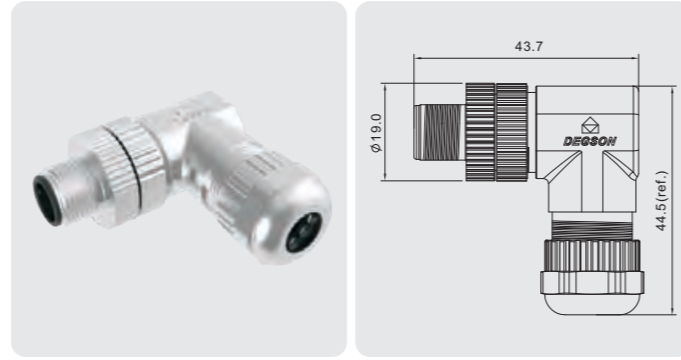
| 针数 Number of Pins | 03 Pin | | 04 Pin | | 05 Pin | | 06 Pin | 08 Pin |
|--|------------------------------|------------------------------|------------------------------|------------------------------|------------------------------|------------------------------|------------------------------|---------------------|
| | 编码 Coded | A-Coded | A-Coded | D-Coded | A-Coded | B-Coded | A-Coded | A-Coded |
| 编码 Coding | 正面图 Front View | | | | | | | |
| 额定电流 Rated current | A. | 4A | 4A | 4A | 4A | 4A | 2A | 2A |
| 额定电压 Rated voltage | V. | 250V | 250V | 250V | 60V | 60V | 30V | 30V |
| 电线电缆 Wire/Cable | 线规 Wire gauge | 22AWG | 22AWG | 22AWG | 22AWG | 22AWG | 24AWG | 24AWG |
| | 横截面 Cross section | 0.34mm ² | 0.34mm ² | 0.34mm ² | 0.34mm ² | 0.34mm ² | 0.25mm ² | 0.25mm ² |
| 描述 Description | 订单号 Order NO. | 订单号 Order NO. | 订单号 Order NO. | 订单号 Order NO. | 订单号 Order NO. | 订单号 Order NO. | 订单号 Order NO. | 订单号 Order NO. |
| 线径范围: 4.5-6.0mm Cable OD: 4.5-6.0mm | PBSH-M12A-03P-FF-SL7001-00AH | PBSH-M12A-04P-FF-SL7001-00AH | PBSH-M12D-04P-FF-SL7001-00AH | PBSH-M12A-05P-FF-SL7001-00AH | PBSH-M12B-05P-FF-SL7001-00AH | PBSH-M12A-06P-FF-SL7001-00AH | PBSH-M12A-08P-FF-SL7001-00AH | |
| 线径范围: 6.0-7.5mm Cable OD: 6.0-7.5mm | PBSH-M12A-03P-FF-SL7002-00AH | PBSH-M12A-04P-FF-SL7002-00AH | PBSH-M12D-04P-FF-SL7002-00AH | PBSH-M12A-05P-FF-SL7002-00AH | PBSH-M12B-05P-FF-SL7002-00AH | PBSH-M12A-06P-FF-SL7002-00AH | PBSH-M12A-08P-FF-SL7002-00AH | |

零件图 Component part drawing



M12 x 1 针式现场组装插头，屏蔽，螺钉连接，弯头。

M12 x 1 Male Field Assembly Plug, Shielded, Screw Connection, Angled.

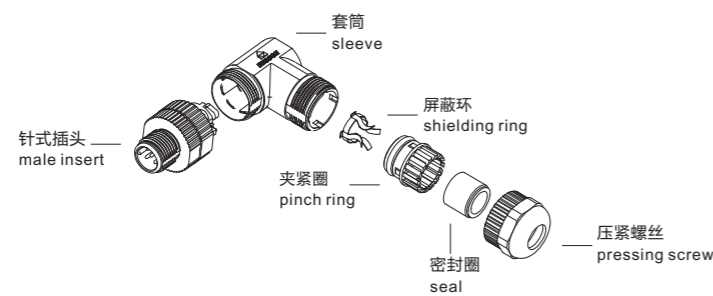


技术数据 Technical Data

| | | | |
|----------------------------|--------------------|----------------------------------|-------------------------------|
| 标准 Standard | IEC 61076 | 端子载体材料 Contact carriers material | PA |
| 系列 Series | M12, Male | 端子材料 Contact material | Copper Alloy, Gold-plated |
| Pin针数量 Number of Pins | 03,04,05,06,08 Pin | 金属螺母 Metal of nut | Zinc Alloy with Nickel Plated |
| 额定电流 Rated Current | 4A max. | 胶圈 Seal | Silicone |
| 额定电压 Rated voltage | 250V max. | 屏蔽 Shielding | Shielded |
| 绝缘电阻 Insulation resistance | ≥100MΩ | 机械寿命 Mechanical life | > 100 mating cycles |
| 接触电阻 Contact resistance | ≤5mΩ | — | — |
| 运行温度 Ambient temperature | - 25 ~ + 105°C | — | — |
| 防护等级 IP Class | IP67 | — | — |

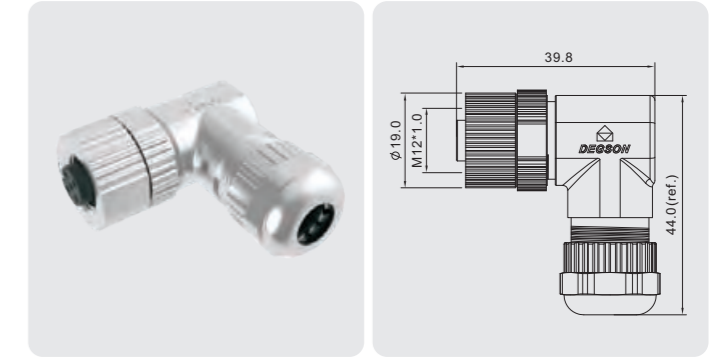
| 针数 Number of Pins | 03 Pin | | 04 Pin | | 05 Pin | | 06 Pin | 08 Pin |
|--|-----------------------------|-----------------------------|-----------------------------|-----------------------------|-----------------------------|-----------------------------|-----------------------------|---------------------|
| | 编码 Coded | A-Coded | A-Coded | D-Coded | A-Coded | B-Coded | A-Coded | A-Coded |
| 编码 Coding | 正面图 Front View | | | | | | | |
| 额定电流 Rated current | A. | 4A | 4A | 4A | 4A | 4A | 2A | 2A |
| 额定电压 Rated voltage | V. | 250V | 250V | 250V | 60V | 60V | 30V | 30V |
| 电线电缆 Wire/Cable | 线规 Wire gauge | 22AWG | 22AWG | 22AWG | 22AWG | 22AWG | 24AWG | 24AWG |
| | 横截面 Cross section | 0.34mm ² | 0.34mm ² | 0.34mm ² | 0.34mm ² | 0.34mm ² | 0.25mm ² | 0.25mm ² |
| 描述 Description | 订单号 Order NO. | 订单号 Order NO. | 订单号 Order NO. | 订单号 Order NO. | 订单号 Order NO. | 订单号 Order NO. | 订单号 Order NO. | 订单号 Order NO. |
| 线径范围: 4.5-6.0mm Cable OD: 4.5-6.0mm | PBSHM12A-03P-MM-SR7001-00AH | PBSHM12A-04P-MM-SR7001-00AH | PBSHM12D-04P-MM-SR7001-00AH | PBSHM12A-05P-MM-SR7001-00AH | PBSHM12B-05P-MM-SR7001-00AH | PBSHM12A-06P-MM-SR7001-00AH | PBSHM12A-08P-MM-SR7001-00AH | |
| 线径范围: 6.0-7.5mm Cable OD: 6.0-7.5mm | PBSHM12A-03P-MM-SR7002-00AH | PBSHM12A-04P-MM-SR7002-00AH | PBSHM12D-04P-MM-SR7002-00AH | PBSHM12A-05P-MM-SR7002-00AH | PBSHM12B-05P-MM-SR7002-00AH | PBSHM12A-06P-MM-SR7002-00AH | PBSHM12A-08P-MM-SR7002-00AH | |

零件图 Component part drawing



M12 x 1 孔式现场组装插头，屏蔽，螺钉连接，弯头。

M12 x 1 Female Field Assembly Plug, Shielded, Screw Connection, Angled.

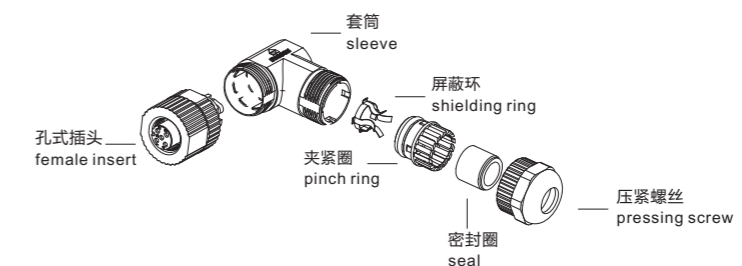


技术数据 Technical Data

| | | | |
|----------------------------|--------------------|----------------------------------|-------------------------------|
| 标准 Standard | IEC 61076 | 端子载体材料 Contact carriers material | PA |
| 系列 Series | M12, Female | 端子材料 Contact material | Copper Alloy, Gold-plated |
| Pin针数量 Number of Pins | 03,04,05,06,08 Pin | 金属螺母 Metal of nut | Zinc Alloy with Nickel Plated |
| 额定电流 Rated Current | 4A max. | 胶圈 Seal | Silicone |
| 额定电压 Rated voltage | 250V max. | 屏蔽 Shielding | Shielded |
| 绝缘电阻 Insulation resistance | ≥100MΩ | 机械寿命 Mechanical life | > 100 mating cycles |
| 接触电阻 Contact resistance | ≤5mΩ | — | — |
| 运行温度 Ambient temperature | - 25 ~ + 105°C | — | — |
| 防护等级 IP Class | IP67 | — | — |

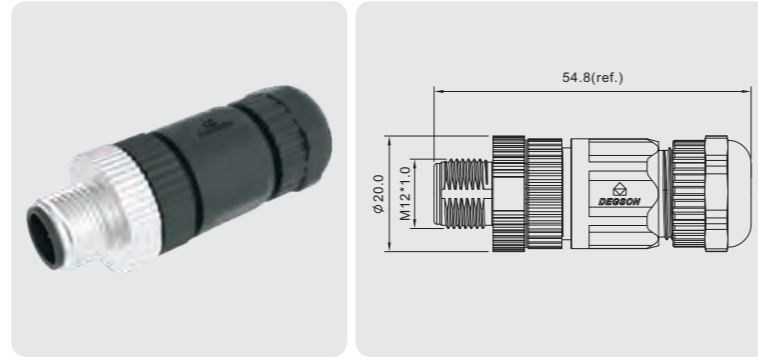
| 针数 Number of Pins | 03 Pin | | 04 Pin | | 05 Pin | | 06 Pin | 08 Pin |
|--|-----------------------------|-----------------------------|-----------------------------|-----------------------------|-----------------------------|-----------------------------|-----------------------------|---------------------|
| | 编码 Coded | A-Coded | A-Coded | D-Coded | A-Coded | B-Coded | A-Coded | A-Coded |
| 编码 Coding | 正面图 Front View | | | | | | | |
| 额定电流 Rated current | A. | 4A | 4A | 4A | 4A | 4A | 2A | 2A |
| 额定电压 Rated voltage | V. | 250V | 250V | 250V | 60V | 60V | 30V | 30V |
| 电线电缆 Wire/Cable | 线规 Wire gauge | 22AWG | 22AWG | 22AWG | 22AWG | 22AWG | 24AWG | 24AWG |
| | 横截面 Cross section | 0.34mm ² | 0.34mm ² | 0.34mm ² | 0.34mm ² | 0.34mm ² | 0.25mm ² | 0.25mm ² |
| 描述 Description | 订单号 Order NO. | 订单号 Order NO. | 订单号 Order NO. | 订单号 Order NO. | 订单号 Order NO. | 订单号 Order NO. | 订单号 Order NO. | 订单号 Order NO. |
| 线径范围: 4.5-6.0mm Cable OD: 4.5-6.0mm | PBSHM12A-03P-FF-SR7001-00AH | PBSHM12A-04P-FF-SR7001-00AH | PBSHM12D-04P-FF-SR7001-00AH | PBSHM12A-05P-FF-SR7001-00AH | PBSHM12B-05P-FF-SR7001-00AH | PBSHM12A-06P-FF-SR7001-00AH | PBSHM12A-08P-FF-SR7001-00AH | |
| 线径范围: 6.0-7.5mm Cable OD: 6.0-7.5mm | PBSHM12A-03P-FF-SR7002-00AH | PBSHM12A-04P-FF-SR7002-00AH | PBSHM12D-04P-FF-SR7002-00AH | PBSHM12A-05P-FF-SR7002-00AH | PBSHM12B-05P-FF-SR7002-00AH | PBSHM12A-06P-FF-SR7002-00AH | PBSHM12A-08P-FF-SR7002-00AH | |

零件图 Component part drawing



M12 x 1 针式现场组装插头。非屏蔽，焊接式，直头。

M12 x 1 Male Field Assembly Plug, Unshielded, Soldering Connection, Straight.

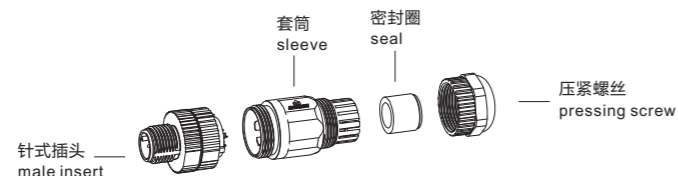


技术数据 Technical Data

| | | | |
|-------------------------------|-----------------------------|-------------------------------------|-------------------------------|
| 标准 Standard | IEC 61076 | 端子载体材料 Contact carriers material | PA |
| 系列 Series | M12, Male | 端子材料 Contact material | Copper Alloy, Gold-plated |
| Pin针数量 Number of Pins | 03,04,05,06,08,10,12,17 Pin | 金属螺母 Metal of nut | Zinc Alloy with Nickel Plated |
| 额定电流 Rated Current | 4A max. | 胶圈 Seal | Silicone |
| 额定电压 Rated voltage | 250V max. | 屏蔽 Shielding | Unshielded |
| 绝缘电阻 Insulation resistance | ≥100MΩ | 机械寿命 Mechanical life | > 100 mating cycles |
| 接触电阻 Contact resistance | ≤5mΩ | — | — |
| 运行温度 Ambient temperature | - 25 ~ + 105°C | — | — |
| 防护等级 IP Class | IP67 | — | — |

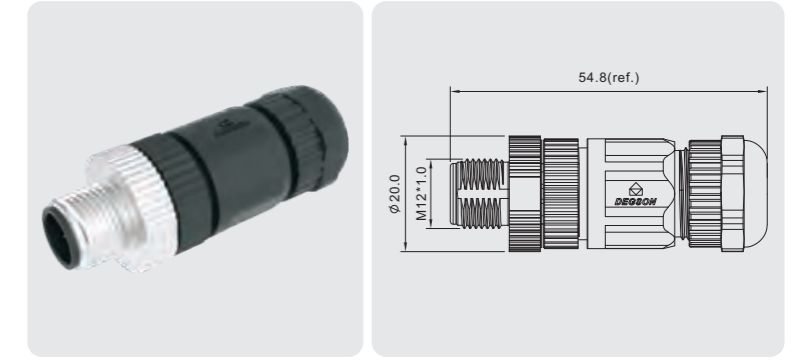
| 针数 Number of Pins | | 03 Pin | 04 Pin | 05 Pin | 06 Pin | 08 Pin |
|-----------------------|----------------------------|----------------------------|----------------------------|----------------------------|----------------------------|---------------------|
| 编码 Coding | 编码 Coded | A-Coded | A-Coded | A-Coded | A-Coded | A-Coded |
| | 正面图 Front View | | | | | |
| 额定电流 Rated current | A. | 4A | 4A | 4A | 2A | 2A |
| 额定电压 Rated voltage | V. | 250V | 250V | 60V | 30V | 30V |
| 电线/电缆 Wire/Cable | 线规 Wire gauge | 22AWG | 22AWG | 22AWG | 24AWG | 24AWG |
| | 横截面 Cross section | 0.34mm ² | 0.34mm ² | 0.34mm ² | 0.25mm ² | 0.25mm ² |
| 描述 Description | 订单号 Order NO. | 订单号 Order NO. | 订单号 Order NO. | 订单号 Order NO. | 订单号 Order NO. | 订单号 Order NO. |
| — | PA-M12A-03P-MM-SL7001-00AH | PA-M12A-04P-MM-SL7001-00AH | PA-M12A-05P-MM-SL7001-00AH | PA-M12A-06P-MM-SL7001-00AH | PA-M12A-08P-MM-SL7001-00AH | |

零件图 Component part drawing



M12 x 1 针式现场组装插头。非屏蔽，焊接式，直头。

M12 x 1 Male Field Assembly Plug, Unshielded, Soldering Connection, Straight.

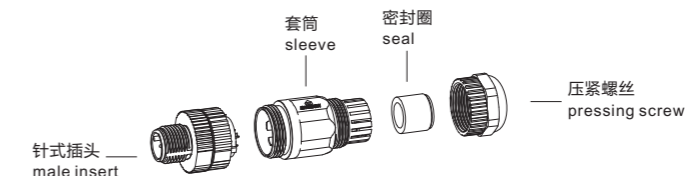


技术数据 Technical Data

| | | | |
|-------------------------------|-----------------------------|-------------------------------------|-------------------------------|
| 标准 Standard | IEC 61076 | 端子载体材料 Contact carriers material | PA |
| 系列 Series | M12, Male | 端子材料 Contact material | Copper Alloy, Gold-plated |
| Pin针数量 Number of Pins | 03,04,05,06,08,10,12,17 Pin | 金属螺母 Metal of nut | Zinc Alloy with Nickel Plated |
| 额定电流 Rated Current | 4A max. | 胶圈 Seal | Silicone |
| 额定电压 Rated voltage | 250V max. | 屏蔽 Shielding | Unshielded |
| 绝缘电阻 Insulation resistance | ≥100MΩ | 机械寿命 Mechanical life | > 100 mating cycles |
| 接触电阻 Contact resistance | ≤5mΩ | — | — |
| 运行温度 Ambient temperature | - 25 ~ + 105°C | — | — |
| 防护等级 IP Class | IP67 | — | — |

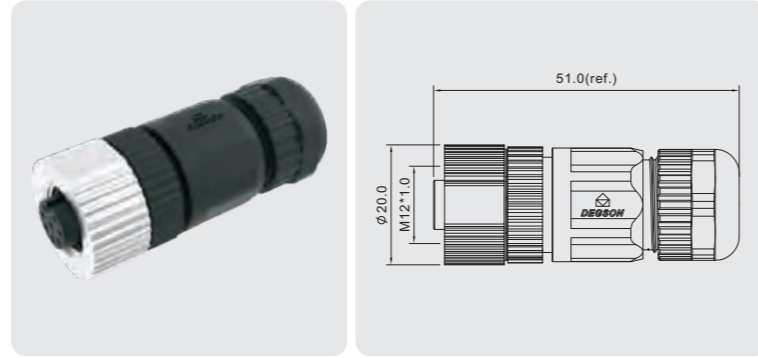
| 针数 Number of Pins | | 10 Pin | 12 Pin | 17 Pin | 05 Pin | 04 Pin |
|-----------------------|----------------------------|----------------------------|----------------------------|----------------------------|----------------------------|---------------------|
| 编码 Coding | 编码 Coded | A-Coded | A-Coded | A-Coded | B-Coded | D-Coded |
| | 正面图 Front View | | | | | |
| 额定电流 Rated current | A. | 1.5A | 1.5A | 1.5A | 4A | 4A |
| 额定电压 Rated voltage | V. | 30V | 30V | 30V | 60V | 250V |
| 电线/电缆 Wire/Cable | 线规 Wire gauge | 26AWG | 26AWG | 26AWG | 22AWG | 22AWG |
| | 横截面 Cross section | 0.14mm ² | 0.14mm ² | 0.14mm ² | 0.34mm ² | 0.34mm ² |
| 描述 Description | 订单号 Order NO. | 订单号 Order NO. | 订单号 Order NO. | 订单号 Order NO. | 订单号 Order NO. | 订单号 Order NO. |
| — | PA-M12A-10P-MM-SL7001-00AH | PA-M12A-12P-MM-SL7001-00AH | PA-M12A-17P-MM-SL7001-00AH | PA-M12B-05P-MM-SL7001-00AH | PA-M12D-04P-MM-SL7001-00AH | |

零件图 Component part drawing



M12 x 1 孔式现场组装插头。非屏蔽，焊接式，直头。

M12 x 1 Female Field Assembly Plug, Unshielded, Soldering Connection, Straight.

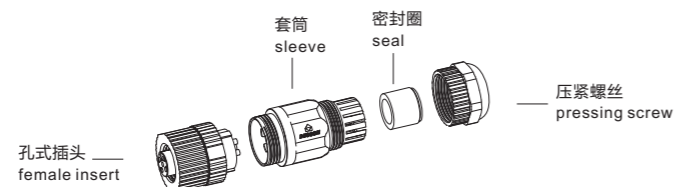


技术数据 Technical Data

| | | | |
|----------------------------|-----------------------------|----------------------------------|-------------------------------|
| 标准 Standard | IEC 61076 | 端子载体材料 Contact carriers material | PA |
| 系列 Series | M12, Female | 端子材料 Contact material | Copper Alloy, Gold-plated |
| Pin针数量 Number of Pins | 03,04,05,06,08,10,12,17 Pin | 金属螺母 Metal of nut | Zinc Alloy with Nickel Plated |
| 额定电流 Rated Current | 4A max. | 胶圈 Seal | Silicone |
| 额定电压 Rated voltage | 250V max. | 屏蔽 Shielding | Unshielded |
| 绝缘电阻 Insulation resistance | ≥100MΩ | 机械寿命 Mechanical life | > 100 mating cycles |
| 接触电阻 Contact resistance | ≤5mΩ | — | — |
| 运行温度 Ambient temperature | - 25 ~ + 105°C | — | — |
| 防护等级 IP Class | IP67 | — | — |

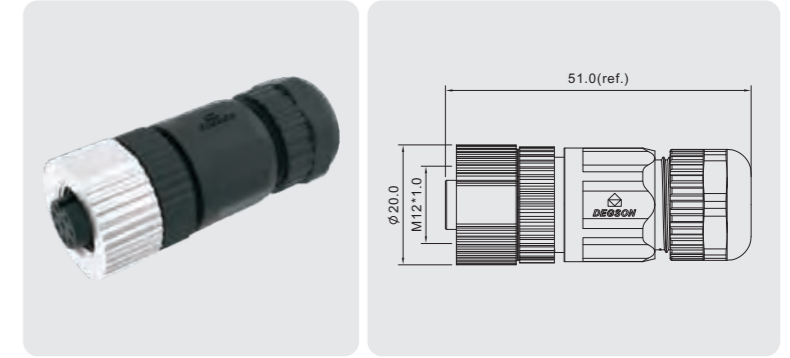
| 针数 Number of Pins | | 03 Pin | 04 Pin | 05 Pin | 06 Pin | 08 Pin |
|--------------------|----------------------------|----------------------------|----------------------------|----------------------------|----------------------------|---------------------|
| 编码 Coding | 编码 Coded | A-Coded | A-Coded | A-Coded | A-Coded | A-Coded |
| | 正面图 Front View | | | | | |
| 额定电流 Rated current | A. | 4A | 4A | 4A | 2A | 2A |
| 额定电压 Rated voltage | V. | 250V | 250V | 60V | 30V | 30V |
| 电线电缆 Wire/Cable | 线规 Wire gauge | 22AWG | 22AWG | 22AWG | 24AWG | 24AWG |
| | 横截面 Cross section | 0.34mm ² | 0.34mm ² | 0.34mm ² | 0.25mm ² | 0.25mm ² |
| 描述 Description | 订单号 Order NO . | 订单号 Order NO . | 订单号 Order NO . | 订单号 Order NO . | 订单号 Order NO . | 订单号 Order NO . |
| — | PA-M12A-03P-FF-SL7001-00AH | PA-M12A-04P-FF-SL7001-00AH | PA-M12A-05P-FF-SL7001-00AH | PA-M12A-06P-FF-SL7001-00AH | PA-M12A-08P-FF-SL7001-00AH | |

零件图 Component part drawing



M12 x 1 孔式现场组装插头。非屏蔽，焊接式，直头。

M12 x 1 Female Field Assembly Plug, Unshielded, Soldering Connection, Straight.

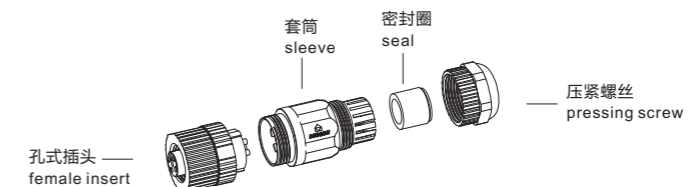


技术数据 Technical Data

| | | | |
|----------------------------|-----------------------------|----------------------------------|-------------------------------|
| 标准 Standard | IEC 61076 | 端子载体材料 Contact carriers material | PA |
| 系列 Series | M12, Female | 端子材料 Contact material | Copper Alloy, Gold-plated |
| Pin针数量 Number of Pins | 03,04,05,06,08,10,12,17 Pin | 金属螺母 Metal of nut | Zinc Alloy with Nickel Plated |
| 额定电流 Rated Current | 4A max. | 胶圈 Seal | Silicone |
| 额定电压 Rated voltage | 250V max. | 屏蔽 Shielding | Unshielded |
| 绝缘电阻 Insulation resistance | ≥100MΩ | 机械寿命 Mechanical life | > 100 mating cycles |
| 接触电阻 Contact resistance | ≤5mΩ | — | — |
| 运行温度 Ambient temperature | - 25 ~ + 105°C | — | — |
| 防护等级 IP Class | IP67 | — | — |

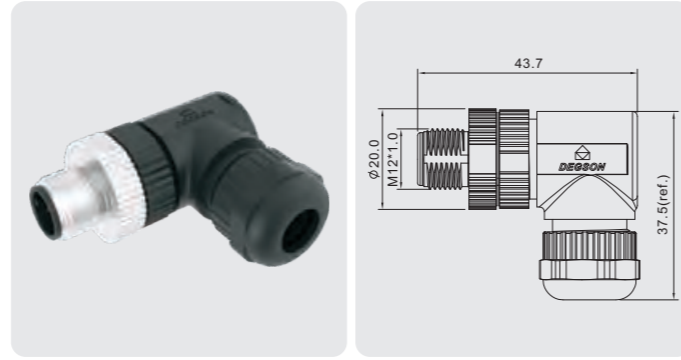
| 针数 Number of Pins | | 10 Pin | 12 Pin | 17 Pin | 05 Pin | 04 Pin |
|--------------------|----------------------------|----------------------------|----------------------------|----------------------------|----------------------------|---------------------|
| 编码 Coding | 编码 Coded | A-Coded | A-Coded | A-Coded | B-Coded | D-Coded |
| | 正面图 Front View | | | | | |
| 额定电流 Rated current | A. | 1.5A | 1.5A | 1.5A | 4A | 4A |
| 额定电压 Rated voltage | V. | 30V | 30V | 30V | 60V | 250V |
| 电线电缆 Wire/Cable | 线规 Wire gauge | 26AWG | 26AWG | 26AWG | 22AWG | 22AWG |
| | 横截面 Cross section | 0.14mm ² | 0.14mm ² | 0.14mm ² | 0.34mm ² | 0.34mm ² |
| 描述 Description | 订单号 Order NO . | 订单号 Order NO . | 订单号 Order NO . | 订单号 Order NO . | 订单号 Order NO . | 订单号 Order NO . |
| — | PA-M12A-10P-FF-SL7001-00AH | PA-M12A-12P-FF-SL7001-00AH | PA-M12A-17P-FF-SL7001-00AH | PA-M12B-05P-FF-SL7001-00AH | PA-M12D-04P-FF-SL7001-00AH | |

零件图 Component part drawing



M12 x 1 针式现场组装插头。非屏蔽，焊接式，弯头。

M12 x 1 Male Field Assembly Plug, Unshielded, Soldering Connection, Angled.

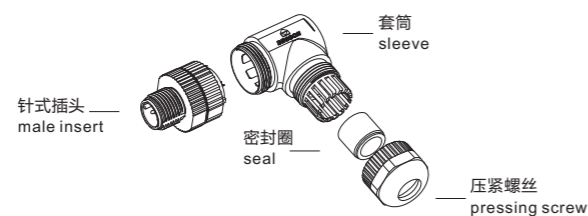


技术数据 Technical Data

| | | | |
|-------------------------------|-----------------------------|-------------------------------------|-------------------------------|
| 标准 Standard | IEC 61076 | 端子载体材料 Contact carriers material | PA |
| 系列 Series | M12, Male | 端子材料 Contact material | Copper Alloy, Gold-plated |
| Pin针数量 Number of Pins | 03,04,05,06,08,10,12,17 Pin | 金属螺母 Metal of nut | Zinc Alloy with Nickel Plated |
| 额定电流 Rated Current | 4A max. | 胶圈 Seal | Silicone |
| 额定电压 Rated voltage | 250V max. | 屏蔽 Shielding | Unshielded |
| 绝缘电阻 Insulation resistance | ≥100MΩ | 机械寿命 Mechanical life | > 100 mating cycles |
| 接触电阻 Contact resistance | ≤5mΩ | — | — |
| 运行温度 Ambient temperature | - 25 ~ + 105°C | — | — |
| 防护等级 IP Class | IP67 | — | — |

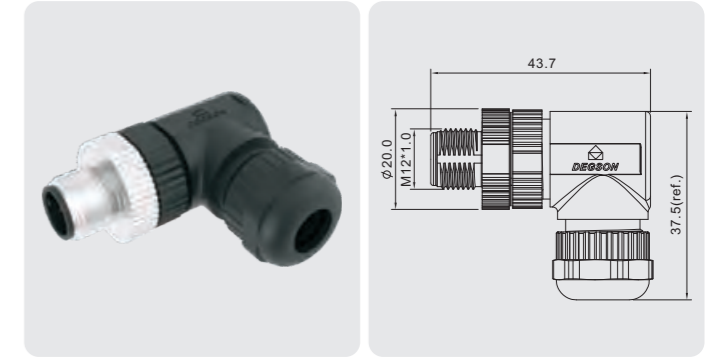
| 针数 Number of Pins | | 03 Pin | 04 Pin | 05 Pin | 06 Pin | 08 Pin |
|-----------------------|----------------------------|----------------------------|----------------------------|----------------------------|----------------------------|---------------------|
| 编码 Coding | 编码 Coded | A-Coded | A-Coded | A-Coded | A-Coded | A-Coded |
| | 正面图 Front View | | | | | |
| 额定电流 Rated current | A. | 4A | 4A | 4A | 2A | 2A |
| 额定电压 Rated voltage | V. | 250V | 250V | 60V | 30V | 30V |
| 电线电缆 Wire/Cable | 线规 Wire gauge | 22AWG | 22AWG | 22AWG | 24AWG | 24AWG |
| | 横截面 Cross section | 0.34mm ² | 0.34mm ² | 0.34mm ² | 0.25mm ² | 0.25mm ² |
| 描述 Description | 订单号 Order NO. | 订单号 Order NO. | 订单号 Order NO. | 订单号 Order NO. | 订单号 Order NO. | 订单号 Order NO. |
| — | PA-M12A-03P-MM-SR7001-00AH | PA-M12A-04P-MM-SR7001-00AH | PA-M12A-05P-MM-SR7001-00AH | PA-M12A-06P-MM-SR7001-00AH | PA-M12A-08P-MM-SR7001-00AH | |

零件图 Component part drawing



M12 x 1 针式现场组装插头。非屏蔽，焊接式，弯头。

M12 x 1 Male Field Assembly Plug, Unshielded, Soldering Connection, Angled.

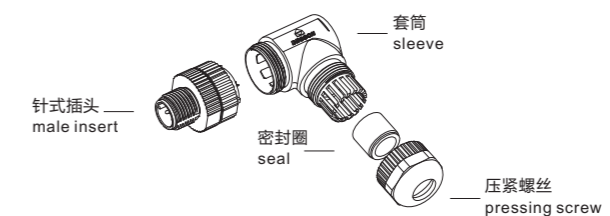


技术数据 Technical Data

| | | | |
|-------------------------------|-----------------------------|-------------------------------------|-------------------------------|
| 标准 Standard | IEC 61076 | 端子载体材料 Contact carriers material | PA |
| 系列 Series | M12, Male | 端子材料 Contact material | Copper Alloy, Gold-plated |
| Pin针数量 Number of Pins | 03,04,05,06,08,10,12,17 Pin | 金属螺母 Metal of nut | Zinc Alloy with Nickel Plated |
| 额定电流 Rated Current | 4A max. | 胶圈 Seal | Silicone |
| 额定电压 Rated voltage | 250V max. | 屏蔽 Shielding | Unshielded |
| 绝缘电阻 Insulation resistance | ≥100MΩ | 机械寿命 Mechanical life | > 100 mating cycles |
| 接触电阻 Contact resistance | ≤5mΩ | — | — |
| 运行温度 Ambient temperature | - 25 ~ + 105°C | — | — |
| 防护等级 IP Class | IP67 | — | — |

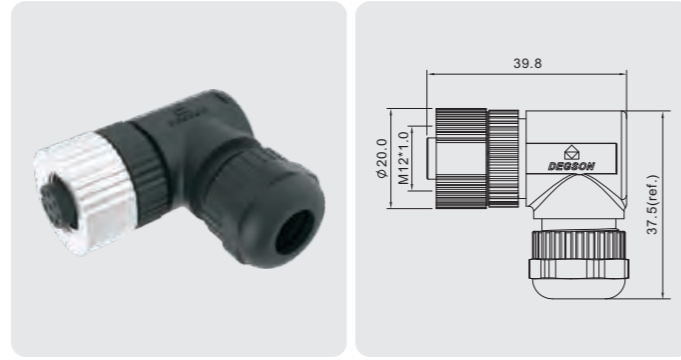
| 针数 Number of Pins | | 10 Pin | 12 Pin | 17 Pin | 05 Pin | 04 Pin |
|-----------------------|----------------------------|----------------------------|----------------------------|----------------------------|----------------------------|---------------------|
| 编码 Coding | 编码 Coded | A-Coded | A-Coded | A-Coded | B-Coded | D-Coded |
| | 正面图 Front View | | | | | |
| 额定电流 Rated current | A. | 1.5A | 1.5A | 1.5A | 4A | 4A |
| 额定电压 Rated voltage | V. | 30V | 30V | 30V | 60V | 250V |
| 电线电缆 Wire/Cable | 线规 Wire gauge | 26AWG | 26AWG | 26AWG | 22AWG | 22AWG |
| | 横截面 Cross section | 0.14mm ² | 0.14mm ² | 0.14mm ² | 0.34mm ² | 0.34mm ² |
| 描述 Description | 订单号 Order NO. | 订单号 Order NO. | 订单号 Order NO. | 订单号 Order NO. | 订单号 Order NO. | 订单号 Order NO. |
| — | PA-M12A-10P-MM-SR7001-00AH | PA-M12A-12P-MM-SR7001-00AH | PA-M12A-17P-MM-SR7001-00AH | PA-M12B-05P-MM-SR7001-00AH | PA-M12D-04P-MM-SR7001-00AH | |

零件图 Component part drawing



M12 x 1 孔式现场组装插头。非屏蔽，焊接式，弯头。

M12 x 1 Female Field Assembly Plug, Unshielded, Soldering Connection, Angled.

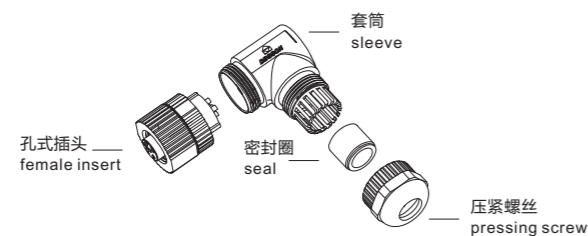


技术数据 Technical Data

| | | | |
|----------------------------|-----------------------------|----------------------------------|-------------------------------|
| 标准 Standard | IEC 61076 | 端子载体材料 Contact carriers material | PA |
| 系列 Series | M12, Female | 端子材料 Contact material | Copper Alloy, Gold-plated |
| Pin针数量 Number of Pins | 03,04,05,06,08,10,12,17 Pin | 金属螺母 Metal of nut | Zinc Alloy with Nickel Plated |
| 额定电流 Rated Current | 4A max. | 胶圈 Seal | Silicone |
| 额定电压 Rated voltage | 250V max. | 屏蔽 Shielding | Unshielded |
| 绝缘电阻 Insulation resistance | ≥100MΩ | 机械寿命 Mechanical life | > 100 mating cycles |
| 接触电阻 Contact resistance | ≤5mΩ | — | — |
| 运行温度 Ambient temperature | - 25 ~ + 105°C | — | — |
| 防护等级 IP Class | IP67 | — | — |

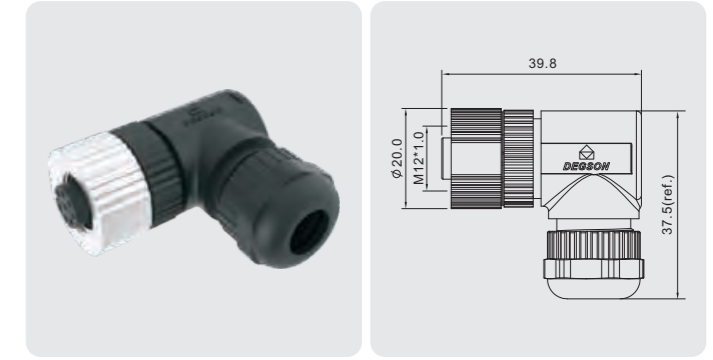
| 针数 Number of Pins | | 03 Pin | 04 Pin | 05 Pin | 06 Pin | 08 Pin |
|--------------------|----------------------------|----------------------------|----------------------------|----------------------------|----------------------------|---------------------|
| 编码 Coding | 编码 Coded | A-Coded | A-Coded | A-Coded | A-Coded | A-Coded |
| | 正面图 Front View | | | | | |
| 额定电流 Rated current | A. | 4A | 4A | 4A | 2A | 2A |
| 额定电压 Rated voltage | V. | 250V | 250V | 60V | 30V | 30V |
| 电线电缆 Wire/Cable | 线规 Wire gauge | 22AWG | 22AWG | 22AWG | 24AWG | 24AWG |
| | 横截面 Cross section | 0.34mm ² | 0.34mm ² | 0.34mm ² | 0.25mm ² | 0.25mm ² |
| 描述 Description | 订单号 Order NO. | 订单号 Order NO. | 订单号 Order NO. | 订单号 Order NO. | 订单号 Order NO. | 订单号 Order NO. |
| — | PA-M12A-03P-FF-SR7001-00AH | PA-M12A-04P-FF-SR7001-00AH | PA-M12A-05P-FF-SR7001-00AH | PA-M12A-06P-FF-SR7001-00AH | PA-M12A-08P-FF-SR7001-00AH | — |

零件图 Component part drawing



M12 x 1 孔式现场组装插头。非屏蔽，焊接式，弯头。

M12 x 1 Female Field Assembly Plug, Unshielded, Soldering Connection, Angled.

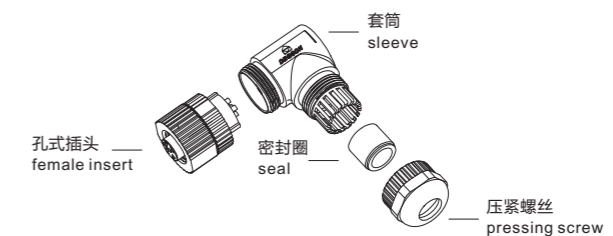


技术数据 Technical Data

| | | | |
|----------------------------|-----------------------------|----------------------------------|-------------------------------|
| 标准 Standard | IEC 61076 | 端子载体材料 Contact carriers material | PA |
| 系列 Series | M12, Female | 端子材料 Contact material | Copper Alloy, Gold-plated |
| Pin针数量 Number of Pins | 03,04,05,06,08,10,12,17 Pin | 金属螺母 Metal of nut | Zinc Alloy with Nickel Plated |
| 额定电流 Rated Current | 4A max. | 胶圈 Seal | Silicone |
| 额定电压 Rated voltage | 250V max. | 屏蔽 Shielding | Unshielded |
| 绝缘电阻 Insulation resistance | ≥100MΩ | 机械寿命 Mechanical life | > 100 mating cycles |
| 接触电阻 Contact resistance | ≤5mΩ | — | — |
| 运行温度 Ambient temperature | - 25 ~ + 105°C | — | — |
| 防护等级 IP Class | IP67 | — | — |

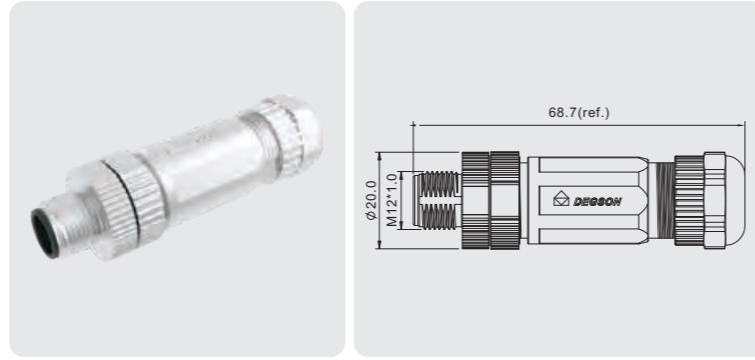
| 针数 Number of Pins | | 10 Pin | 12 Pin | 17 Pin | 05 Pin | 04 Pin |
|--------------------|----------------------------|----------------------------|----------------------------|----------------------------|----------------------------|---------------------|
| 编码 Coding | 编码 Coded | A-Coded | A-Coded | A-Coded | B-Coded | D-Coded |
| | 正面图 Front View | | | | | |
| 额定电流 Rated current | A. | 1.5A | 1.5A | 1.5A | 4A | 4A |
| 额定电压 Rated voltage | V. | 30V | 30V | 30V | 60V | 250V |
| 电线电缆 Wire/Cable | 线规 Wire gauge | 26AWG | 26AWG | 26AWG | 22AWG | 22AWG |
| | 横截面 Cross section | 0.14mm ² | 0.14mm ² | 0.14mm ² | 0.34mm ² | 0.34mm ² |
| 描述 Description | 订单号 Order NO. | 订单号 Order NO. | 订单号 Order NO. | 订单号 Order NO. | 订单号 Order NO. | 订单号 Order NO. |
| — | PA-M12A-10P-FF-SR7001-00AH | PA-M12A-12P-FF-SR7001-00AH | PA-M12A-17P-FF-SR7001-00AH | PA-M12B-05P-FF-SR7001-00AH | PA-M12D-04P-FF-SR7001-00AH | — |

零件图 Component part drawing



M12 x 1 针式现场组装插头，屏蔽，焊接式，直头。

M12 x 1 Male Field Assembly Plug, Shielded, Soldering Connection, Straight.

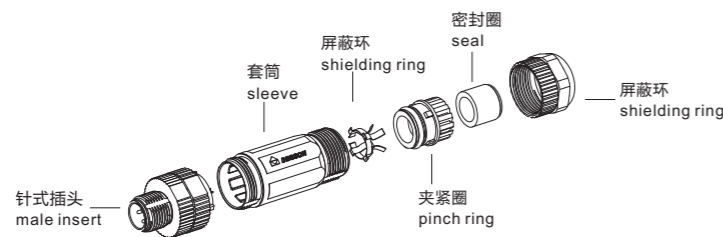


技术数据 Technical Data

| | | | |
|-------------------------------|-----------------------------|-------------------------------------|-------------------------------|
| 标准 Standard | IEC 61076 | 端子载体材料 Contact carriers material | PA |
| 系列 Series | M12, Male | 端子材料 Contact material | Copper Alloy, Gold-plated |
| Pin针数量 Number of Pins | 03,04,05,06,08,10,12,17 Pin | 金属螺母 Metal of nut | Zinc Alloy with Nickel Plated |
| 额定电流 Rated Current | 4A max. | 胶圈 Seal | Silicone |
| 额定电压 Rated voltage | 250V max. | 屏蔽 Shielding | Shielded |
| 绝缘电阻 Insulation resistance | ≥100MΩ | 机械寿命 Mechanical life | > 100 mating cycles |
| 接触电阻 Contact resistance | ≤5mΩ | — | — |
| 运行温度 Ambient temperature | - 25 ~ + 105°C | — | — |
| 防护等级 IP Class | IP67 | — | — |

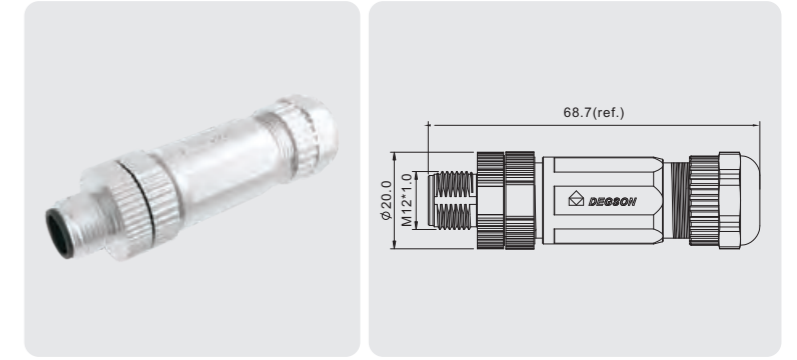
| 针数 Number of Pins | 03 Pin | 04 Pin | 05 Pin | 06 Pin | 08 Pin |
|--|------------------------------|------------------------------|------------------------------|------------------------------|------------------------------|
| 编码 Coding | A-Coded | A-Coded | A-Coded | A-Coded | A-Coded |
| 正面图 Front View | | | | | |
| 额定电流 Rated current | 4A | 4A | 4A | 2A | 2A |
| 额定电压 Rated voltage | 250V | 250V | 60V | 30V | 30V |
| 线规 Wire gauge | 22AWG | 22AWG | 22AWG | 24AWG | 24AWG |
| 横截面 Cross section | 0.34mm ² | 0.34mm ² | 0.34mm ² | 0.25mm ² | 0.25mm ² |
| 描述 Description | 订单号 Order NO . | 订单号 Order NO . | 订单号 Order NO . | 订单号 Order NO . | 订单号 Order NO . |
| 线径范围 : 4.5-6.0mm Cable OD : 4.5-6.0mm | PASH-M12A-03P-MM-SL7001-00AH | PASH-M12A-04P-MM-SL7001-00AH | PASH-M12A-05P-MM-SL7001-00AH | PASH-M12A-06P-MM-SL7001-00AH | PASH-M12A-08P-MM-SL7001-00AH |
| 线径范围 : 6.0-7.5mm Cable OD : 6.0-7.5mm | PASH-M12A-03P-MM-SL7002-00AH | PASH-M12A-04P-MM-SL7002-00AH | PASH-M12A-05P-MM-SL7002-00AH | PASH-M12A-06P-MM-SL7002-00AH | PASH-M12A-08P-MM-SL7002-00AH |

零件图 Component part drawing



M12 x 1 针式现场组装插头，屏蔽，焊接式，直头。

M12 x 1 Male Field Assembly Plug, Shielded, Soldering Connection, Straight.

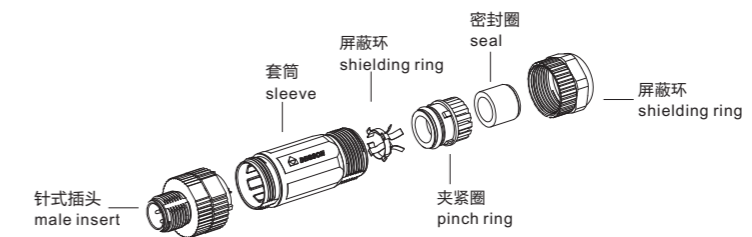


技术数据 Technical Data

| | | | |
|-------------------------------|-----------------------------|-------------------------------------|-------------------------------|
| 标准 Standard | IEC 61076 | 端子载体材料 Contact carriers material | PA |
| 系列 Series | M12, Male | 端子材料 Contact material | Copper Alloy, Gold-plated |
| Pin针数量 Number of Pins | 03,04,05,06,08,10,12,17 Pin | 金属螺母 Metal of nut | Zinc Alloy with Nickel Plated |
| 额定电流 Rated Current | 4A max. | 胶圈 Seal | Silicone |
| 额定电压 Rated voltage | 250V max. | 屏蔽 Shielding | Shielded |
| 绝缘电阻 Insulation resistance | ≥100MΩ | 机械寿命 Mechanical life | > 100 mating cycles |
| 接触电阻 Contact resistance | ≤5mΩ | — | — |
| 运行温度 Ambient temperature | - 25 ~ + 105°C | — | — |
| 防护等级 IP Class | IP67 | — | — |

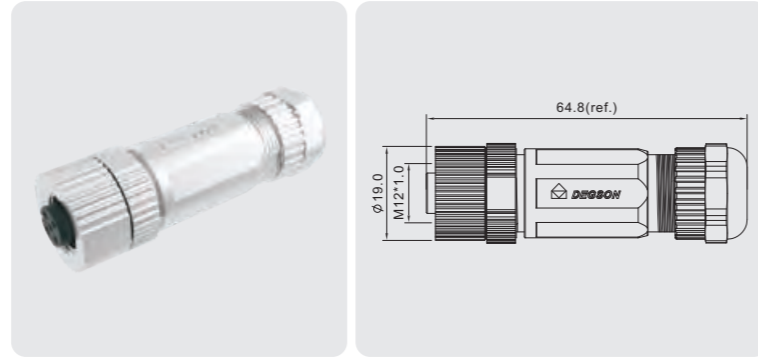
| 针数 Number of Pins | 10 Pin | 12 Pin | 17 Pin | 05 Pin | 04 Pin |
|--|------------------------------|------------------------------|------------------------------|------------------------------|------------------------------|
| 编码 Coding | A-Coded | A-Coded | A-Coded | B-Coded | D-Coded |
| 正面图 Front View | | | | | |
| 额定电流 Rated current | 1.5A | 1.5A | 1.5A | 4A | 4A |
| 额定电压 Rated voltage | 30V | 30V | 30V | 60V | 250V |
| 线规 Wire gauge | 26AWG | 26AWG | 26AWG | 22AWG | 22AWG |
| 横截面 Cross section | 0.14mm ² | 0.14mm ² | 0.14mm ² | 0.34mm ² | 0.34mm ² |
| 描述 Description | 订单号 Order NO . | 订单号 Order NO . | 订单号 Order NO . | 订单号 Order NO . | 订单号 Order NO . |
| 线径范围 : 4.5-6.0mm Cable OD : 4.5-6.0mm | PASH-M12A-10P-MM-SL7001-00AH | PASH-M12A-12P-MM-SL7001-00AH | PASH-M12A-17P-MM-SL7001-00AH | PASH-M12B-05P-MM-SL7001-00AH | PASH-M12D-04P-MM-SL7001-00AH |
| 线径范围 : 6.0-7.5mm Cable OD : 6.0-7.5mm | PASH-M12A-10P-MM-SL7002-00AH | PASH-M12A-12P-MM-SL7002-00AH | PASH-M12A-17P-MM-SL7002-00AH | PASH-M12B-05P-MM-SL7002-00AH | PASH-M12D-04P-MM-SL7002-00AH |

零件图 Component part drawing



M12 x 1 孔式现场组装插头，屏蔽，焊接式，直头。

M12 x 1 Female Field Assembly Plug, Shielded, Soldering Connection, Straight.

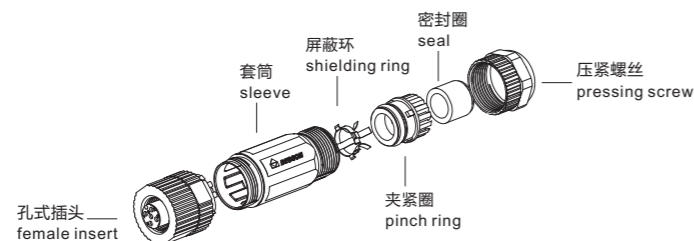


技术数据 Technical Data

| | | | |
|-------------------------------|----------------------------|-------------------------------------|-------------------------------|
| 标准 Standard | IEC 61076 | 端子载体材料 Contact carriers material | PA |
| 系列 Series | M12, Female | 端子材料 Contact material | Copper Alloy, Gold-plated |
| Pin针数量 Number of Pins | 03,04,05,06,08,10,12,17Pin | 金属螺母 Metal of nut | Zinc Alloy with Nickel Plated |
| 额定电流 Rated Current | 4A max. | 胶圈 Seal | Silicone |
| 额定电压 Rated voltage | 250V max. | 屏蔽 Shielding | Shielded |
| 绝缘电阻 Insulation resistance | ≥100MΩ | 机械寿命 Mechanical life | > 100 mating cycles |
| 接触电阻 Contact resistance | ≤5mΩ | — | — |
| 运行温度 Ambient temperature | - 25 ~ + 105°C | — | — |
| 防护等级 IP Class | IP67 | — | — |

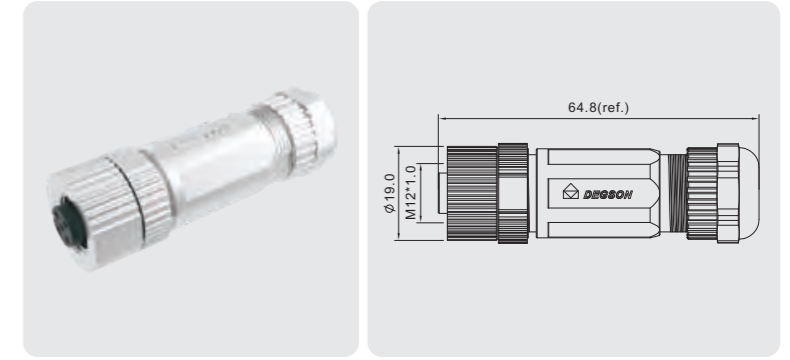
| 针数 Number of Pins | | 03 Pin | 04 Pin | 05 Pin | 06 Pin | 08 Pin |
|--------------------------------------|------------------------------|------------------------------|------------------------------|------------------------------|------------------------------|---------------------|
| 编码 Coding | 编码 Coded | A-Coded | A-Coded | A-Coded | A-Coded | A-Coded |
| | 正面图 Front View | | | | | |
| 额定电流 Rated current | A. | 4A | 4A | 4A | 2A | 2A |
| 额定电压 Rated voltage | V. | 250V | 250V | 60V | 30V | 30V |
| 电线电缆 Wire/Cable | 线规 Wire gauge | 22AWG | 22AWG | 22AWG | 24AWG | 24AWG |
| | 横截面 Cross section | 0.34mm ² | 0.34mm ² | 0.34mm ² | 0.25mm ² | 0.25mm ² |
| 描述 Description | 订单号 Order NO. | 订单号 Order NO. | 订单号 Order NO. | 订单号 Order NO. | 订单号 Order NO. | 订单号 Order NO. |
| 线径范围：4.5-6.0mm Cable OD：4.5-6.0mm | PASH-M12A-03P-FF-SL7001-00AH | PASH-M12A-04P-FF-SL7001-00AH | PASH-M12A-05P-FF-SL7001-00AH | PASH-M12A-06P-FF-SL7001-00AH | PASH-M12A-08P-FF-SL7001-00AH | |
| 线径范围：6.0-7.5mm Cable OD：6.0-7.5mm | PASH-M12A-03P-FF-SL7002-00AH | PASH-M12A-04P-FF-SL7002-00AH | PASH-M12A-05P-FF-SL7002-00AH | PASH-M12A-06P-FF-SL7002-00AH | PASH-M12A-08P-FF-SL7002-00AH | |

零件图 Component part drawing



M12 x 1 孔式现场组装插头，屏蔽，焊接式，直头。

M12 x 1 Female Field Assembly Plug, Shielded, Soldering Connection, Straight.

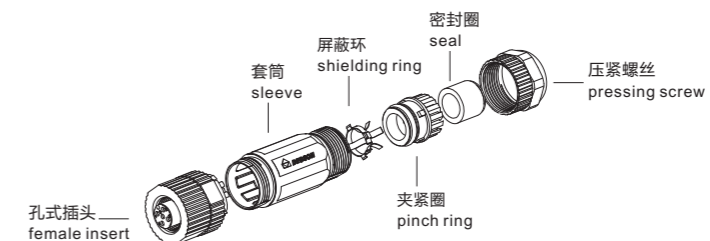


技术数据 Technical Data

| | | | |
|-------------------------------|-----------------------------|-------------------------------------|-------------------------------|
| 标准 Standard | IEC 61076 | 端子载体材料 Contact carriers material | PA |
| 系列 Series | M12, Female | 端子材料 Contact material | Copper Alloy, Gold-plated |
| Pin针数量 Number of Pins | 03,04,05,06,08,10,12,17 Pin | 金属螺母 Metal of nut | Zinc Alloy with Nickel Plated |
| 额定电流 Rated Current | 4A max. | 胶圈 Seal | Silicone |
| 额定电压 Rated voltage | 250V max. | 屏蔽 Shielding | Shielded |
| 绝缘电阻 Insulation resistance | ≥100MΩ | 机械寿命 Mechanical life | > 100 mating cycles |
| 接触电阻 Contact resistance | ≤5mΩ | — | — |
| 运行温度 Ambient temperature | - 25 ~ + 105°C | — | — |
| 防护等级 IP Class | IP67 | — | — |

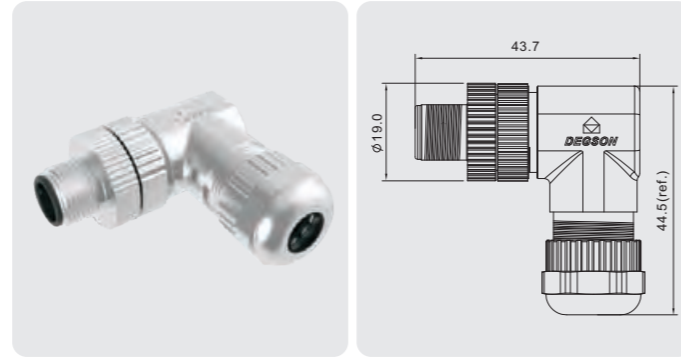
| 针数 Number of Pins | | 10 Pin | 12 Pin | 17 Pin | 05 Pin | 04 Pin |
|--------------------------------------|------------------------------|------------------------------|------------------------------|------------------------------|------------------------------|---------------------|
| 编码 Coding | 编码 Coded | A-Coded | A-Coded | A-Coded | B-Coded | D-Coded |
| | 正面图 Front View | | | | | |
| 额定电流 Rated current | A. | 1.5A | 1.5A | 1.5A | 4A | 4A |
| 额定电压 Rated voltage | V. | 30V | 30V | 30V | 60V | 250V |
| 电线电缆 Wire/Cable | 线规 Wire gauge | 26AWG | 26AWG | 26AWG | 22AWG | 22AWG |
| | 横截面 Cross section | 0.14mm ² | 0.14mm ² | 0.14mm ² | 0.34mm ² | 0.34mm ² |
| 描述 Description | 订单号 Order NO. | 订单号 Order NO. | 订单号 Order NO. | 订单号 Order NO. | 订单号 Order NO. | 订单号 Order NO. |
| 线径范围：4.5-6.0mm Cable OD：4.5-6.0mm | PASH-M12A-10P-FF-SL7001-00AH | PASH-M12A-12P-FF-SL7001-00AH | PASH-M12A-17P-FF-SL7001-00AH | PASH-M12B-05P-FF-SL7001-00AH | PASH-M12D-04P-FF-SL7001-00AH | |
| 线径范围：6.0-7.5mm Cable OD：6.0-7.5mm | PASH-M12A-10P-FF-SL7002-00AH | PASH-M12A-12P-FF-SL7002-00AH | PASH-M12A-17P-FF-SL7002-00AH | PASH-M12B-05P-FF-SL7002-00AH | PASH-M12D-04P-FF-SL7002-00AH | |

零件图 Component part drawing



M12 x 1 针式现场组装插头，屏蔽，焊接式，直头。

M12 x 1 Male Field Assembly Plug, Shielded, Soldering Connection, Straight.

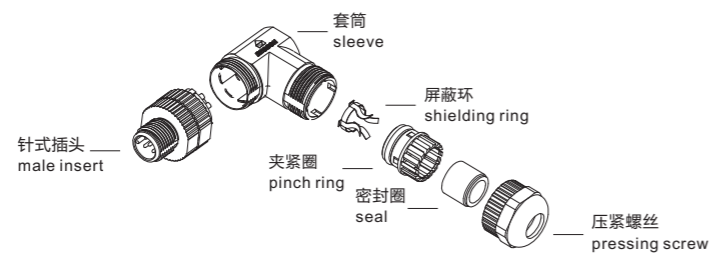


技术数据 Technical Data

| | | | |
|-------------------------------|-----------------------------|-------------------------------------|-------------------------------|
| 标准 Standard | IEC 61076 | 端子载体材料 Contact carriers material | PA |
| 系列 Series | M12, Male | 端子材料 Contact material | Copper Alloy, Gold-plated |
| Pin针数量 Number of Pins | 03,04,05,06,08,10,12,17 Pin | 金属螺母 Metal of nut | Zinc Alloy with Nickel Plated |
| 额定电流 Rated Current | 4A max. | 胶圈 Seal | Silicone |
| 额定电压 Rated voltage | 250V max. | 屏蔽 Shielding | Shielded |
| 绝缘电阻 Insulation resistance | ≥100MΩ | 机械寿命 Mechanical life | > 100 mating cycles |
| 接触电阻 Contact resistance | ≤5mΩ | — | — |
| 运行温度 Ambient temperature | - 25 ~ + 105°C | — | — |
| 防护等级 IP Class | IP67 | — | — |

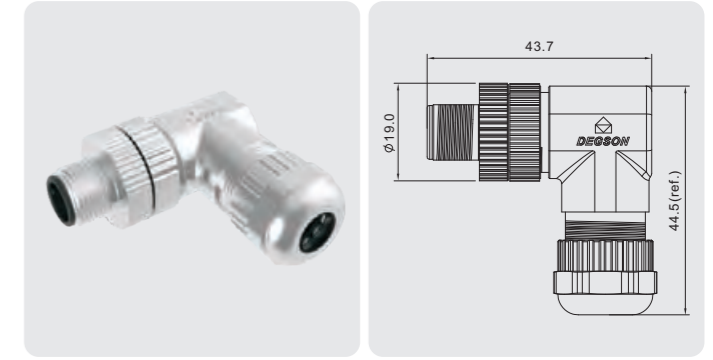
| 针数 Number of Pins | | 03 Pin | 04 Pin | 05 Pin | 06 Pin | 08 Pin |
|--------------------------------------|------------------------------|------------------------------|------------------------------|------------------------------|------------------------------|---------------------|
| 编码 Coding | 编码 Coded | A-Coded | A-Coded | A-Coded | A-Coded | A-Coded |
| | 正面图 Front View | | | | | |
| 额定电流 Rated current | A. | 4A | 4A | 4A | 2A | 2A |
| 额定电压 Rated voltage | V. | 250V | 250V | 60V | 30V | 30V |
| 电线电缆 Wire/Cable | 线规 Wire gauge | 22AWG | 22AWG | 22AWG | 24AWG | 24AWG |
| | 横截面 Cross section | 0.34mm ² | 0.34mm ² | 0.34mm ² | 0.25mm ² | 0.25mm ² |
| 描述 Description | 订单号 Order NO. | 订单号 Order NO. | 订单号 Order NO. | 订单号 Order NO. | 订单号 Order NO. | 订单号 Order NO. |
| 线径范围：4.5-6.0mm Cable OD：4.5-6.0mm | PASH-M12A-03P-MM-SR7001-00AH | PASH-M12A-04P-MM-SR7001-00AH | PASH-M12A-05P-MM-SR7001-00AH | PASH-M12A-06P-MM-SR7001-00AH | PASH-M12A-08P-MM-SR7001-00AH | |
| 线径范围：6.0-7.5mm Cable OD：6.0-7.5mm | PASH-M12A-03P-MM-SR7002-00AH | PASH-M12A-04P-MM-SR7002-00AH | PASH-M12A-05P-MM-SR7002-00AH | PASH-M12A-06P-MM-SR7002-00AH | PASH-M12A-08P-MM-SR7002-00AH | |

零件图 Component part drawing



M12 x 1 针式现场组装插头，屏蔽，焊接式，直头。

M12 x 1 Male Field Assembly Plug, Shielded, Soldering Connection, Straight.

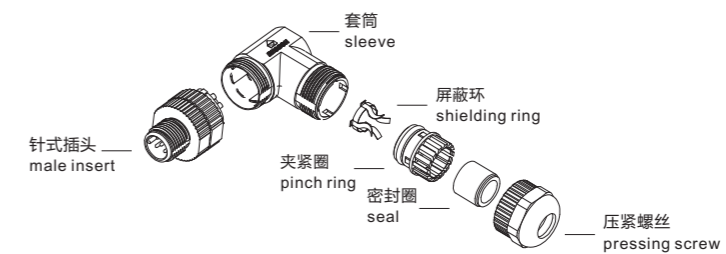


技术数据 Technical Data

| | | | |
|-------------------------------|-----------------------------|-------------------------------------|-------------------------------|
| 标准 Standard | IEC 61076 | 端子载体材料 Contact carriers material | PA |
| 系列 Series | M12, Male | 端子材料 Contact material | Copper Alloy, Gold-plated |
| Pin针数量 Number of Pins | 03,04,05,06,08,10,12,17 Pin | 金属螺母 Metal of nut | Zinc Alloy with Nickel Plated |
| 额定电流 Rated Current | 4A max. | 胶圈 Seal | Silicone |
| 额定电压 Rated voltage | 250V max. | 屏蔽 Shielding | Shielded |
| 绝缘电阻 Insulation resistance | ≥100MΩ | 机械寿命 Mechanical life | > 100 mating cycles |
| 接触电阻 Contact resistance | ≤5mΩ | — | — |
| 运行温度 Ambient temperature | - 25 ~ + 105°C | — | — |
| 防护等级 IP Class | IP67 | — | — |

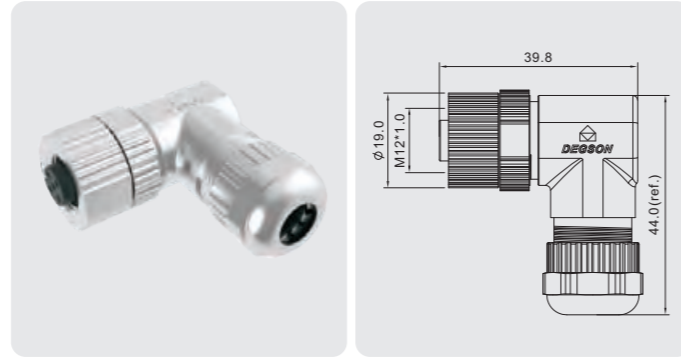
| 针数 Number of Pins | | 10 Pin | 12 Pin | 17 Pin | 05 Pin | 04 Pin |
|--------------------------------------|------------------------------|------------------------------|------------------------------|------------------------------|------------------------------|---------------------|
| 编码 Coding | 编码 Coded | A-Coded | A-Coded | A-Coded | B-Coded | D-Coded |
| | 正面图 Front View | | | | | |
| 额定电流 Rated current | A. | 1.5A | 1.5A | 1.5A | 4A | 4A |
| 额定电压 Rated voltage | V. | 30V | 30V | 30V | 60V | 250V |
| 电线电缆 Wire/Cable | 线规 Wire gauge | 26AWG | 26AWG | 26AWG | 22AWG | 22AWG |
| | 横截面 Cross section | 0.14mm ² | 0.14mm ² | 0.14mm ² | 0.34mm ² | 0.34mm ² |
| 描述 Description | 订单号 Order NO. | 订单号 Order NO. | 订单号 Order NO. | 订单号 Order NO. | 订单号 Order NO. | 订单号 Order NO. |
| 线径范围：4.5-6.0mm Cable OD：4.5-6.0mm | PASH-M12A-10P-MM-SR7001-00AH | PASH-M12A-12P-MM-SR7001-00AH | PASH-M12A-17P-MM-SR7001-00AH | PASH-M12B-05P-MM-SR7001-00AH | PASH-M12D-04P-MM-SR7001-00AH | |
| 线径范围：6.0-7.5mm Cable OD：6.0-7.5mm | PASH-M12A-10P-MM-SR7002-00AH | PASH-M12A-12P-MM-SR7002-00AH | PASH-M12A-17P-MM-SR7002-00AH | PASH-M12B-05P-MM-SR7002-00AH | PASH-M12D-04P-MM-SR7002-00AH | |

零件图 Component part drawing



M12 x 1 孔式现场组装插头，屏蔽，焊接式，直头。

M12 x 1 Female Field Assembly Plug, Shielded, Soldering Connection, Straight.

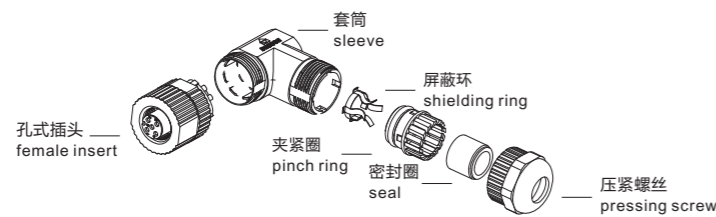


技术数据 Technical Data

| | | | |
|----------------------------|-----------------------------|----------------------------------|-------------------------------|
| 标准 Standard | IEC 61076 | 端子载体材料 Contact carriers material | PA |
| 系列 Series | M12, Female | 端子材料 Contact material | Copper Alloy, Gold-plated |
| Pin针数量 Number of Pins | 03,04,05,06,08,10,12,17 Pin | 金属螺母 Metal of nut | Zinc Alloy with Nickel Plated |
| 额定电流 Rated Current | 4A max. | 胶圈 Seal | Silicone |
| 额定电压 Rated voltage | 250V max. | 屏蔽 Shielding | Shielded |
| 绝缘电阻 Insulation resistance | ≥100MΩ | 机械寿命 Mechanical life | > 100 mating cycles |
| 接触电阻 Contact resistance | ≤5mΩ | — | — |
| 运行温度 Ambient temperature | - 25 ~ + 105°C | — | — |
| 防护等级 IP Class | IP67 | — | — |

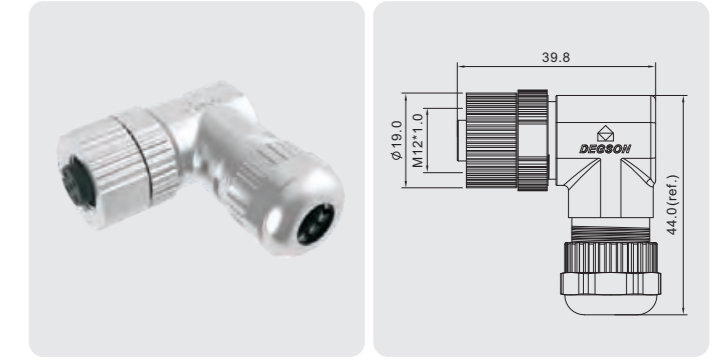
| 针数 Number of Pins | | 03 Pin | 04 Pin | 05 Pin | 06 Pin | 08 Pin |
|--|------------------------------|------------------------------|------------------------------|------------------------------|------------------------------|---------------------|
| 编码 Coding | 编码 Coded | A-Coded | A-Coded | A-Coded | A-Coded | A-Coded |
| | 正面图 Front View | | | | | |
| 额定电流 Rated current | A. | 4A | 4A | 4A | 2A | 2A |
| 额定电压 Rated voltage | V. | 250V | 250V | 60V | 30V | 30V |
| 电线电缆 Wire/Cable | 线规 Wire gauge | 22AWG | 22AWG | 22AWG | 24AWG | 24AWG |
| | 横截面 Cross section | 0.34mm ² | 0.34mm ² | 0.34mm ² | 0.25mm ² | 0.25mm ² |
| 描述 Description | 订单号 Order NO. | 订单号 Order NO. | 订单号 Order NO. | 订单号 Order NO. | 订单号 Order NO. | 订单号 Order NO. |
| 线径范围: 4.5-6.0mm Cable OD: 4.5-6.0mm | PASH-M12A-03P-FF-SR7001-00AH | PASH-M12A-04P-FF-SR7001-00AH | PASH-M12A-05P-FF-SR7001-00AH | PASH-M12A-06P-FF-SR7001-00AH | PASH-M12A-08P-FF-SR7001-00AH | |
| 线径范围: 6.0-7.5mm Cable OD: 6.0-7.5mm | PASH-M12A-03P-FF-SR7002-00AH | PASH-M12A-04P-FF-SR7002-00AH | PASH-M12A-05P-FF-SR7002-00AH | PASH-M12A-06P-FF-SR7002-00AH | PASH-M12A-08P-FF-SR7002-00AH | |

零件图 Component part drawing



M12 x 1 孔式现场组装插头，屏蔽，焊接式，直头。

M12 x 1 Female Field Assembly Plug, Shielded, Soldering Connection, Straight.

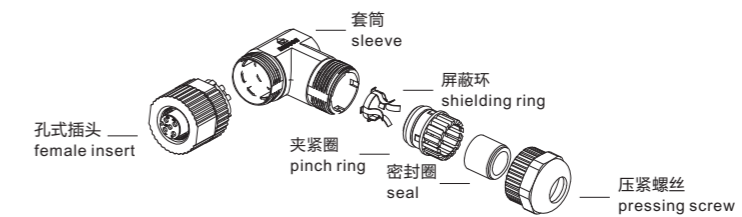


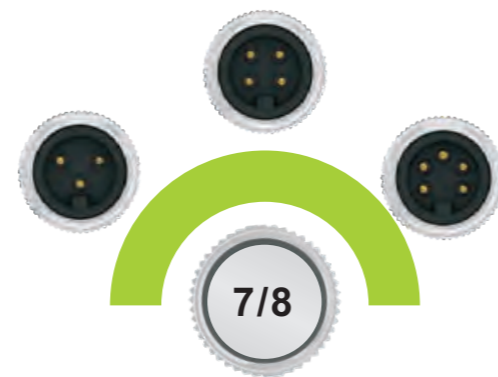
技术数据 Technical Data

| | | | |
|----------------------------|-----------------------------|----------------------------------|-------------------------------|
| 标准 Standard | IEC 61076 | 端子载体材料 Contact carriers material | PA |
| 系列 Series | M12, Female | 端子材料 Contact material | Copper Alloy, Gold-plated |
| Pin针数量 Number of Pins | 03,04,05,06,08,10,12,17 Pin | 金属螺母 Metal of nut | Zinc Alloy with Nickel Plated |
| 额定电流 Rated Current | 4A max. | 胶圈 Seal | Silicone |
| 额定电压 Rated voltage | 250V max. | 屏蔽 Shielding | Shielded |
| 绝缘电阻 Insulation resistance | ≥100MΩ | 机械寿命 Mechanical life | > 100 mating cycles |
| 接触电阻 Contact resistance | ≤5mΩ | — | — |
| 运行温度 Ambient temperature | - 25 ~ + 105°C | — | — |
| 防护等级 IP Class | IP67 | — | — |

| 针数 Number of Pins | | 10 Pin | 12 Pin | 17 Pin | 05 Pin | 04 Pin |
|--|------------------------------|------------------------------|------------------------------|------------------------------|------------------------------|---------------------|
| 编码 Coding | 编码 Coded | A-Coded | A-Coded | A-Coded | B-Coded | D-Coded |
| | 正面图 Front View | | | | | |
| 额定电流 Rated current | A. | 1.5A | 1.5A | 1.5A | 4A | 4A |
| 额定电压 Rated voltage | V. | 30V | 30V | 30V | 60V | 250V |
| 电线电缆 Wire/Cable | 线规 Wire gauge | 26AWG | 26AWG | 26AWG | 22AWG | 22AWG |
| | 横截面 Cross section | 0.14mm ² | 0.14mm ² | 0.14mm ² | 0.34mm ² | 0.34mm ² |
| 描述 Description | 订单号 Order NO. | 订单号 Order NO. | 订单号 Order NO. | 订单号 Order NO. | 订单号 Order NO. | 订单号 Order NO. |
| 线径范围: 4.5-6.0mm Cable OD: 4.5-6.0mm | PASH-M12A-10P-FF-SR7001-00AH | PASH-M12A-12P-FF-SR7001-00AH | PASH-M12A-17P-FF-SR7001-00AH | PASH-M12B-05P-FF-SR7001-00AH | PASH-M12D-04P-FF-SR7001-00AH | |
| 线径范围: 6.0-7.5mm Cable OD: 6.0-7.5mm | PASH-M12A-10P-FF-SR7002-00AH | PASH-M12A-12P-FF-SR7002-00AH | PASH-M12A-17P-FF-SR7002-00AH | PASH-M12B-05P-FF-SR7002-00AH | PASH-M12D-04P-FF-SR7002-00AH | |

零件图 Component part drawing





优势

- 密封性强, 防护性能可达IP68。
- 外形尺寸优化, 占用空间有限。
- 可选全方位屏蔽, 提供可靠的电磁保护。
- 可选接线方式, 适用于持续冲击、振动的应用环境。
- 适用于各种场合的连接技术。
- 可与市场同系列连接器互配。

Advantages

- Good sealing performance ,with IP class up to IP 68.
- Dimension optimization,save space.
- Shield is optional,provide reliable electromagnetic protection.
- Wire connection method is optional, suitable for continuous shock and vibration environment.
- Connection technology is suitable for all application field.
- Compatible with same series connectors on the market.

特点

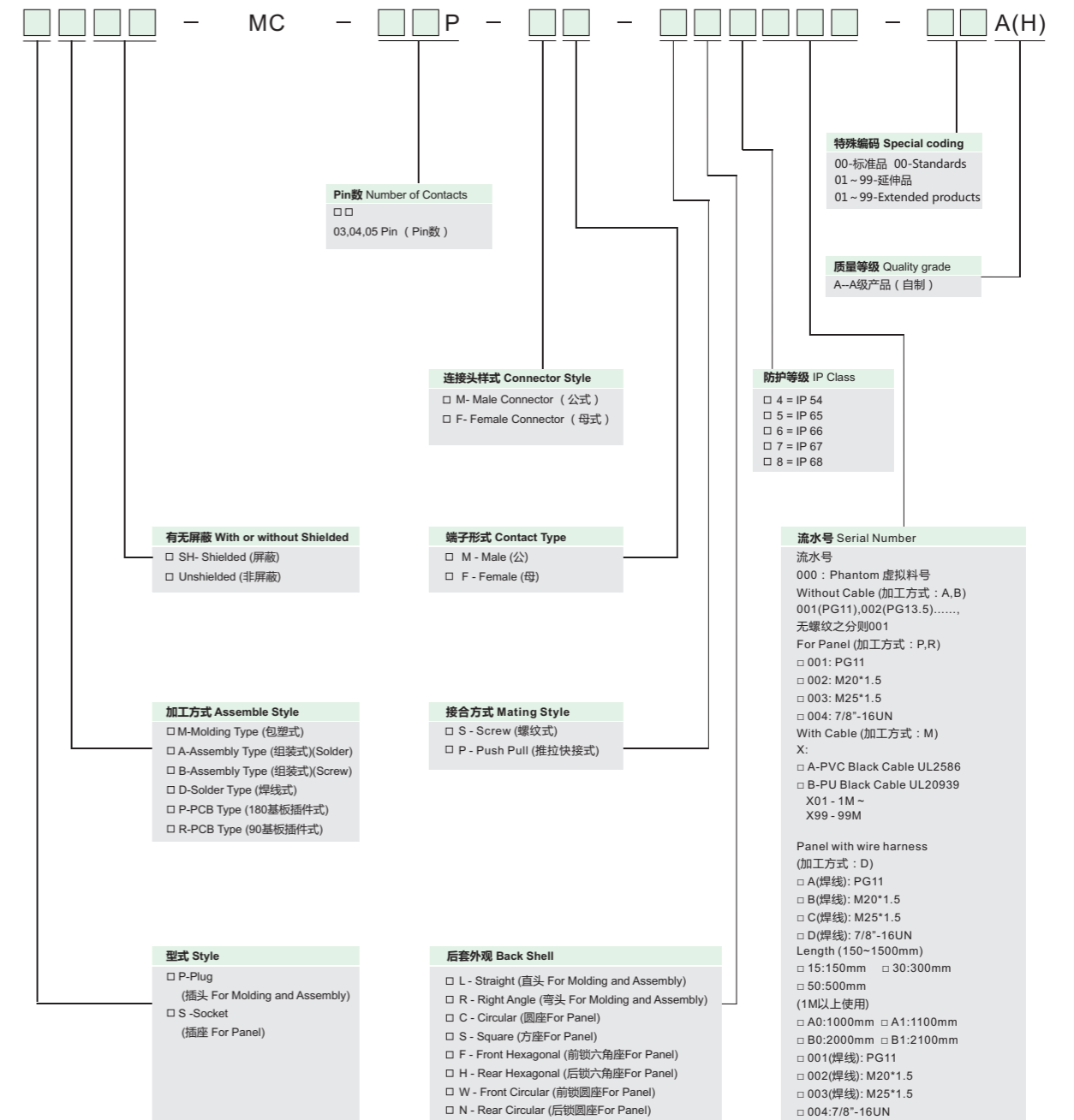
- 线缆材质：PUR, PVC。
- 防护等级：IP68。
- 屏蔽可选。
- 接线方式可选。
- 符合IEC61076标准。

Features

- Cable material: PUR, PVC.
- IP-class: IP68.
- Shield is optional.
- Wire connection is optional.
- Compliance with IEC 61076 standard.

圆形连接器编码规则 Circular Connectors Part Number

圆形连接器成品品名编码规则 Circular Connectors Part Number Reference



例如：

1.7/8"孔式插头5Pin：PM-MC-05P-FF-SL8A01-00A

表示线端包塑，7/8"，母座母Pin，螺纹锁合，直头，防水等级IP68，PVC黑色外被UL2586线缆，长度1.0M标准品。

2.去掉“-”、“小数点”、“()”、“空格”即为成品料号，如：PMMC05PFFSL8A0100A

For example:

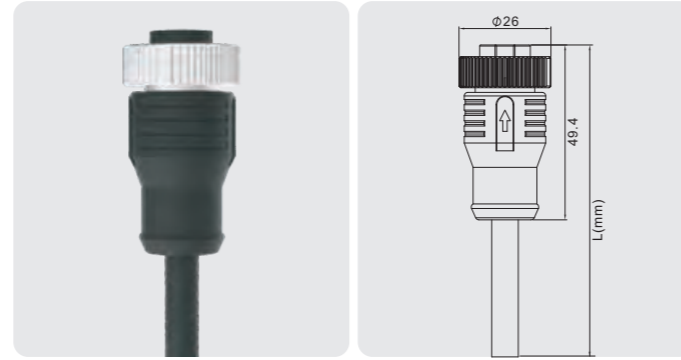
1. 7/8" female plug 5Pin: PM-MC-05P-FF-SL8A01-00A(H)

Details: Plastic covered at the end of wire, 7/8", 5Pin, female socket female Pin, thread locked, straight head, IP68, PVC black jacket. Covered by UL2586 wire, the length of 1.0M, standard products.

2. Delete "-", "decimal point", "()", "space", than it 's the finish product number, such as: PMMC05PFFSL8A0100AH.

7/8" 孔式成型电缆插头，单端，非屏蔽，直头。

7/8" Female Overmolded with Cable Plug, Single end, Unshielded, Straight.



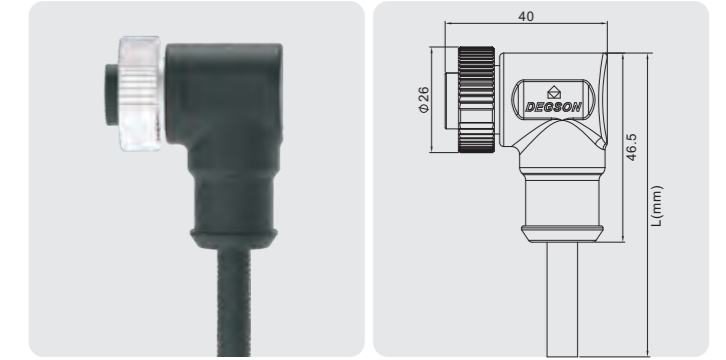
技术数据 Technical Data

| | | | |
|----------------------------|-----------------------|----------------------------------|---------------------------------|
| 系列 Series | 7-8" Female, Straight | 端子载体材料 Contact carriers material | PA |
| Pin针数量 Number of Pins | 03,04,05 Pin | 端子材料 Contact material | Copper Alloy, Gold-plated |
| 额定电流 Rated Current | 13A max. | 金属螺母 Metal of nut | Copper Alloy with Nickel Plated |
| 额定电压 Rated voltage | 300V max. | 胶圈 Seal | Silicone |
| 绝缘电阻 Insulation resistance | ≥100MΩ | 电缆外皮材料 Cable jacket material | PUR / PVC |
| 接触电阻 Contact resistance | ≤5mΩ | 屏蔽 Shielding | Unshielded |
| 运行温度 Ambient temperature | -25 ~ +80°C | 机械寿命 Mechanical life | > 100 mating cycles |
| 防护等级 IP Class | IP68 | — | — |
| — | — | — | — |

| 针数 Number of Pins | | 03 Pin | 04 Pin | 05 Pin |
|--------------------|-------------------|----------------------------|------------------------------|--|
| 编码 Coding | 编码 Coded | A-Coded | A-Coded | A-Coded |
| | 正面图 Front View | | | |
| 额定电流 Rated current | A. | 13A | 13A | 9A |
| 额定电压 Rated voltage | V. | 300V | 300V | 300V |
| 电线电缆 Wire/Cable | 线规 Wire gauge | 16AWG | 16AWG | 16AWG |
| | 横截面 Cross section | 1.5mm ² | 1.5mm ² | 1.5mm ² |
| | 接线表 Wiring list | PE,GN,YE 2.BN 3.BU | 1.BK 2.BU 3.BN 4.WH | 1.BK 2.BU PE,GN,YE 4.BN 5.WH |
| 描述 Description | 订单号 Order NO. | 订单号 Order NO. | 订单号 Order NO. | |
| PVC | 1m | PM-MC-03P-FF-SL8A01-00A(H) | PM-MC-04P-FF-SL8A01-00A(H) | PM-MC-05P-FF-SL8A01-00A(H) |
| | 3m | PM-MC-03P-FF-SL8A03-00A(H) | PM-MC-04P-FF-SL8A03-00A(H) | PM-MC-05P-FF-SL8A03-00A(H) |
| | 5m | PM-MC-03P-FF-SL8A05-00A(H) | PM-MC-04P-FF-SL8A05-00A(H) | PM-MC-05P-FF-SL8A05-00A(H) |
| | 定制化 Customized | | | |
| PUR | 1m | PM-MC-03P-FF-SL8B01-00A(H) | PM-MC-04P-FF-SL8B01-00A(H) | PM-MC-05P-FF-SL8B01-00A(H) |
| | 3m | PM-MC-03P-FF-SL8B03-00A(H) | PM-MC-04P-FF-SL8B03-00A(H) | PM-MC-05P-FF-SL8B03-00A(H) |
| | 5m | PM-MC-03P-FF-SL8B05-00A(H) | PM-MC-04P-FF-SL8B05-00A(H) | PM-MC-05P-FF-SL8B05-00A(H) |
| | 定制化 Customized | | | |

7/8" 孔式成型电缆插头，单端，非屏蔽，弯头。

7/8" Female Overmolded with Cable Plug, Single end, Unshielded, Angled.



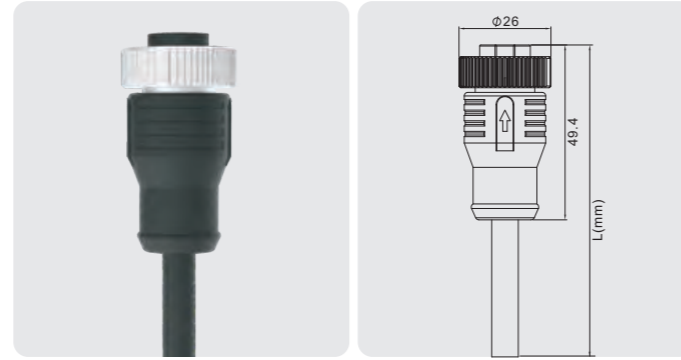
技术数据 Technical Data

| | | | |
|----------------------------|---------------------|----------------------------------|---------------------------------|
| 系列 Series | 7-8" Female, Angled | 端子载体材料 Contact carriers material | PA |
| Pin针数量 Number of Pins | 03,04,05 Pin | 端子材料 Contact material | Copper Alloy, Gold-plated |
| 额定电流 Rated Current | 13A max. | 金属螺母 Metal of nut | Copper Alloy with Nickel Plated |
| 额定电压 Rated voltage | 300V max. | 胶圈 Seal | Silicone |
| 绝缘电阻 Insulation resistance | ≥100MΩ | 电缆外皮材料 Cable jacket material | PUR / PVC |
| 接触电阻 Contact resistance | ≤5mΩ | 屏蔽 Shielding | Unshielded |
| 运行温度 Ambient temperature | -25 ~ +80°C | 机械寿命 Mechanical life | > 100 mating cycles |
| 防护等级 IP Class | IP68 | — | — |
| — | — | — | — |

| 针数 Number of Pins | | 03 Pin | 04 Pin | 05 Pin |
|--------------------|-------------------|----------------------------|------------------------------|--|
| 编码 Coding | 编码 Coded | A-Coded | A-Coded | A-Coded |
| | 正面图 Front View | | | |
| 额定电流 Rated current | A. | 13A | 13A | 9A |
| 额定电压 Rated voltage | V. | 300V | 300V | 300V |
| 电线电缆 Wire/Cable | 线规 Wire gauge | 16AWG | 16AWG | 16AWG |
| | 横截面 Cross section | 1.5mm ² | 1.5mm ² | 1.5mm ² |
| | 接线表 Wiring list | PE,GN,YE 2.BN 3.BU | 1.BK 2.BU 3.BN 4.WH | 1.BK 2.BU PE,GN,YE 4.BN 5.WH |
| 描述 Description | 订单号 Order NO. | 订单号 Order NO. | 订单号 Order NO. | |
| PVC | 1m | PM-MC-03P-FF-SR8A01-00A(H) | PM-MC-04P-FF-SR8A01-00A(H) | PM-MC-05P-FF-SR8A01-00A(H) |
| | 3m | PM-MC-03P-FF-SR8A03-00A(H) | PM-MC-04P-FF-SR8A03-00A(H) | PM-MC-05P-FF-SR8A03-00A(H) |
| | 5m | PM-MC-03P-FF-SR8A05-00A(H) | PM-MC-04P-FF-SR8A05-00A(H) | PM-MC-05P-FF-SR8A05-00A(H) |
| | 定制化 Customized | | | |
| PUR | 1m | PM-MC-03P-FF-SR8B01-00A(H) | PM-MC-04P-FF-SR8B01-00A(H) | PM-MC-05P-FF-SR8B01-00A(H) |
| | 3m | PM-MC-03P-FF-SR8B03-00A(H) | PM-MC-04P-FF-SR8B03-00A(H) | PM-MC-05P-FF-SR8B03-00A(H) |
| | 5m | PM-MC-03P-FF-SR8B05-00A(H) | PM-MC-04P-FF-SR8B05-00A(H) | PM-MC-05P-FF-SR8B05-00A(H) |
| | 定制化 Customized | | | |

7/8" 孔式成型电缆插头，单端，屏蔽，直头。

7/8" Female Overmolded with Cable Plug, Single end, Shielded, Straight.



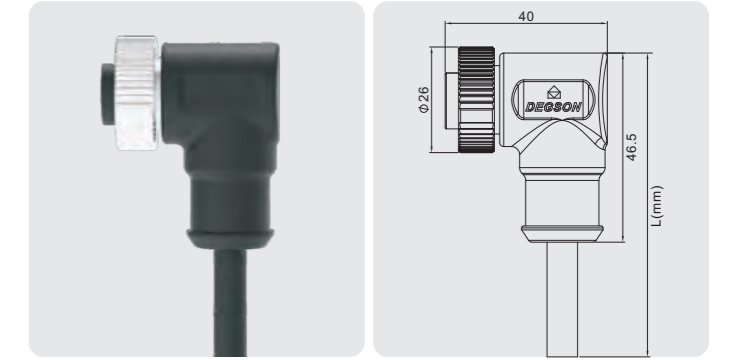
技术数据 Technical Data

| | | | |
|----------------------------|-----------------------|----------------------------------|---------------------------------|
| 系列 Series | 7-8" Female, Straight | 端子载体材料 Contact carriers material | PA |
| Pin针数量 Number of Pins | 03,04,05 Pin | 端子材料 Contact material | Copper Alloy, Gold-plated |
| 额定电流 Rated Current | 13A max. | 金属螺母 Metal of nut | Copper Alloy with Nickel Plated |
| 额定电压 Rated voltage | 300V max. | 胶圈 Seal | Silicone |
| 绝缘电阻 Insulation resistance | ≥100MΩ | 电缆外皮材料 Cable jacket material | PUR / PVC |
| 接触电阻 Contact resistance | ≤5mΩ | 屏蔽 Shielding | Shielded |
| 运行温度 Ambient temperature | - 25 ~ + 80°C | 机械寿命 Mechanical life | > 100 mating cycles |
| 防护等级 IP Class | IP68 | — | — |
| — | — | — | — |

| 针数 Number of Pins | | 03 Pin | 04 Pin | 05 Pin |
|--------------------|-------------------|------------------------------|------------------------------|--|
| 编码 Coding | 编码 Coded | A-Coded | A-Coded | A-Coded |
| | 正面图 Front View | | | |
| 额定电流 Rated current | A. | 13A | 13A | 9A |
| 额定电压 Rated voltage | V. | 300V | 300V | 300V |
| 电线电缆 Wire/Cable | 线规 Wire gauge | 16AWG | 16AWG | 16AWG |
| | 横截面 Cross section | 1.5mm ² | 1.5mm ² | 1.5mm ² |
| | 接线表 Wiring list | PE,GN,YE 2.BN 3.BU | 1.BK 2.BU 3.BN 4.WH | 1.BK 2.BU PE,GN,YE 4.BN 5.WH |
| 描述 Description | 订单号 Order NO. | 订单号 Order NO. | 订单号 Order NO. | |
| PVC | 1m | PMSH-MC-03P-FF-SL8A01-00A(H) | PMSH-MC-04P-FF-SL8A01-00A(H) | PMSH-MC-05P-FF-SL8A01-00A(H) |
| | 3m | PMSH-MC-03P-FF-SL8A03-00A(H) | PMSH-MC-04P-FF-SL8A03-00A(H) | PMSH-MC-05P-FF-SL8A03-00A(H) |
| | 5m | PMSH-MC-03P-FF-SL8A05-00A(H) | PMSH-MC-04P-FF-SL8A05-00A(H) | PMSH-MC-05P-FF-SL8A05-00A(H) |
| | 定制化 Customized | | | |
| PUR | 1m | PMSH-MC-03P-FF-SL8B01-00A(H) | PMSH-MC-04P-FF-SL8B01-00A(H) | PMSH-MC-05P-FF-SL8B01-00A(H) |
| | 3m | PMSH-MC-03P-FF-SL8B03-00A(H) | PMSH-MC-04P-FF-SL8B03-00A(H) | PMSH-MC-05P-FF-SL8B03-00A(H) |
| | 5m | PMSH-MC-03P-FF-SL8B05-00A(H) | PMSH-MC-04P-FF-SL8B05-00A(H) | PMSH-MC-05P-FF-SL8B05-00A(H) |
| | 定制化 Customized | | | |

7/8" 孔式成型电缆插头，单端，屏蔽，弯头。

7/8" Female Overmolded with Cable Plug, Single end, Shielded, Angled.



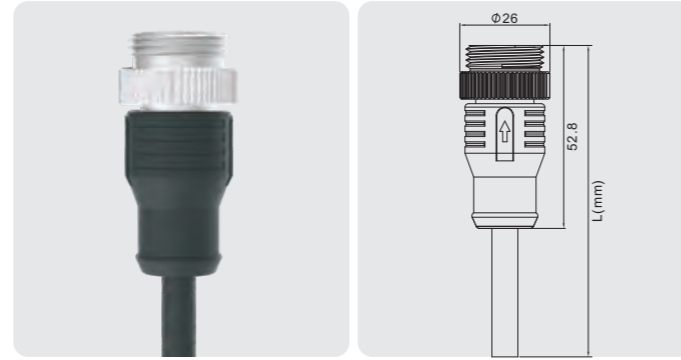
技术数据 Technical Data

| | | | |
|----------------------------|---------------------|----------------------------------|---------------------------------|
| 系列 Series | 7-8" Female, Angled | 端子载体材料 Contact carriers material | PA |
| Pin针数量 Number of Pins | 03,04,05 Pin | 端子材料 Contact material | Copper Alloy, Gold-plated |
| 额定电流 Rated Current | 13A max. | 金属螺母 Metal of nut | Copper Alloy with Nickel Plated |
| 额定电压 Rated voltage | 300V max. | 胶圈 Seal | Silicone |
| 绝缘电阻 Insulation resistance | ≥100MΩ | 电缆外皮材料 Cable jacket material | PUR / PVC |
| 接触电阻 Contact resistance | ≤5mΩ | 屏蔽 Shielding | Shielded |
| 运行温度 Ambient temperature | - 25 ~ + 80°C | 机械寿命 Mechanical life | > 100 mating cycles |
| 防护等级 IP Class | IP68 | — | — |
| — | — | — | — |

| 针数 Number of Pins | | 03 Pin | 04 Pin | 05 Pin |
|--------------------|-------------------|------------------------------|------------------------------|--|
| 编码 Coding | 编码 Coded | A-Coded | A-Coded | A-Coded |
| | 正面图 Front View | | | |
| 额定电流 Rated current | A. | 13A | 13A | 9A |
| 额定电压 Rated voltage | V. | 300V | 300V | 300V |
| 电线电缆 Wire/Cable | 线规 Wire gauge | 16AWG | 16AWG | 16AWG |
| | 横截面 Cross section | 1.5mm ² | 1.5mm ² | 1.5mm ² |
| | 接线表 Wiring list | PE,GN,YE 2.BN 3.BU | 1.BK 2.BU 3.BN 4.WH | 1.BK 2.BU PE,GN,YE 4.BN 5.WH |
| 描述 Description | 订单号 Order NO. | 订单号 Order NO. | 订单号 Order NO. | |
| PVC | 1m | PMSH-MC-03P-FF-SR8A01-00A(H) | PMSH-MC-04P-FF-SR8A01-00A(H) | PMSH-MC-05P-FF-SR8A01-00A(H) |
| | 3m | PMSH-MC-03P-FF-SR8A03-00A(H) | PMSH-MC-04P-FF-SR8A03-00A(H) | PMSH-MC-05P-FF-SR8A03-00A(H) |
| | 5m | PMSH-MC-03P-FF-SR8A05-00A(H) | PMSH-MC-04P-FF-SR8A05-00A(H) | PMSH-MC-05P-FF-SR8A05-00A(H) |
| | 定制化 Customized | | | |
| PUR | 1m | PMSH-MC-03P-FF-SR8B01-00A(H) | PMSH-MC-04P-FF-SR8B01-00A(H) | PMSH-MC-05P-FF-SR8B01-00A(H) |
| | 3m | PMSH-MC-03P-FF-SR8B03-00A(H) | PMSH-MC-04P-FF-SR8B03-00A(H) | PMSH-MC-05P-FF-SR8B03-00A(H) |
| | 5m | PMSH-MC-03P-FF-SR8B05-00A(H) | PMSH-MC-04P-FF-SR8B05-00A(H) | PMSH-MC-05P-FF-SR8B05-00A(H) |
| | 定制化 Customized | | | |

7/8" 针式成型电缆插头，单端，非屏蔽，直头。

7/8" Male Overmolded with Cable Plug, Single end, Unshielded, Straight.



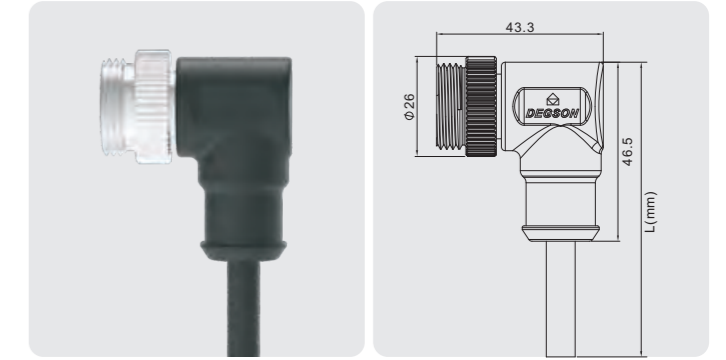
技术数据 Technical Data

| | | | |
|----------------------------|---------------------|----------------------------------|---------------------------------|
| 系列 Series | 7-8" Male, Straight | 端子载体材料 Contact carriers material | PA |
| Pin针数量 Number of Pins | 03,04,05 Pin | 端子材料 Contact material | Copper Alloy, Gold-plated |
| 额定电流 Rated Current | 13A max. | 金属螺母 Metal of nut | Copper Alloy with Nickel Plated |
| 额定电压 Rated voltage | 300V max. | 胶圈 Seal | Silicone |
| 绝缘电阻 Insulation resistance | ≥100MΩ | 电缆外皮材料 Cable jacket material | PUR / PVC |
| 接触电阻 Contact resistance | ≤5mΩ | 屏蔽 Shielding | Unshielded |
| 运行温度 Ambient temperature | - 25 ~ + 80°C | 机械寿命 Mechanical life | > 100 mating cycles |
| 防护等级 IP Class | IP68 | — | — |
| — | — | — | — |

| 针数 Number of Pins | | 03 Pin | 04 Pin | 05 Pin |
|--------------------|-------------------|----------------------------|------------------------------|--|
| 编码 Coding | 编码 Coded | A-Coded | A-Coded | A-Coded |
| | 正面图 Front View | | | |
| 额定电流 Rated current | A. | 13A | 13A | 9A |
| 额定电压 Rated voltage | V. | 300V | 300V | 300V |
| 电线电缆 Wire/Cable | 线规 Wire gauge | 16AWG | 16AWG | 16AWG |
| | 横截面 Cross section | 1.5mm ² | 1.5mm ² | 1.5mm ² |
| | 接线表 Wiring list | PE,GN,YE 2.BN 3.BU | 1.BK 2.BU 3.BN 4.WH | 1.BK 2.BU PE,GN,YE 4.BN 5.WH |
| 描述 Description | 订单号 Order NO . | 订单号 Order NO . | 订单号 Order NO . | |
| PVC | 1m | PM-MC-03P-MM-SL8A01-00A(H) | PM-MC-04P-MM-SL8A01-00A(H) | PM-MC-05P-MM-SL8A01-00A(H) |
| | 3m | PM-MC-03P-MM-SL8A03-00A(H) | PM-MC-04P-MM-SL8A03-00A(H) | PM-MC-05P-MM-SL8A03-00A(H) |
| | 5m | PM-MC-03P-MM-SL8A05-00A(H) | PM-MC-04P-MM-SL8A05-00A(H) | PM-MC-05P-MM-SL8A05-00A(H) |
| | 定制化 Customized | | | |
| PUR | 1m | PM-MC-03P-MM-SL8B01-00A(H) | PM-MC-04P-MM-SL8B01-00A(H) | PM-MC-05P-MM-SL8B01-00A(H) |
| | 3m | PM-MC-03P-MM-SL8B03-00A(H) | PM-MC-04P-MM-SL8B03-00A(H) | PM-MC-05P-MM-SL8B03-00A(H) |
| | 5m | PM-MC-03P-MM-SL8B05-00A(H) | PM-MC-04P-MM-SL8B05-00A(H) | PM-MC-05P-MM-SL8B05-00A(H) |
| | 定制化 Customized | | | |

7/8" 针式成型电缆插头，单端，非屏蔽，弯头。

7/8" Male Overmolded with Cable Plug, Single end, Unshielded, Angled.



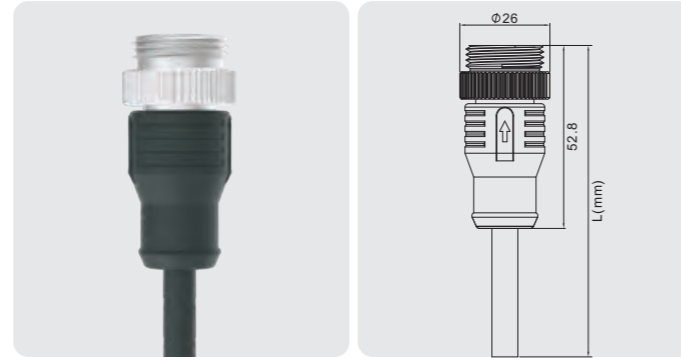
技术数据 Technical Data

| | | | |
|----------------------------|-------------------|----------------------------------|---------------------------------|
| 系列 Series | 7-8" Male, Angled | 端子载体材料 Contact carriers material | PA |
| Pin针数量 Number of Pins | 03,04,05 Pin | 端子材料 Contact material | Copper Alloy, Gold-plated |
| 额定电流 Rated Current | 13A max. | 金属螺母 Metal of nut | Copper Alloy with Nickel Plated |
| 额定电压 Rated voltage | 300V max. | 胶圈 Seal | Silicone |
| 绝缘电阻 Insulation resistance | ≥100MΩ | 电缆外皮材料 Cable jacket material | PUR / PVC |
| 接触电阻 Contact resistance | ≤5mΩ | 屏蔽 Shielding | Unshielded |
| 运行温度 Ambient temperature | - 25 ~ + 80°C | 机械寿命 Mechanical life | > 100 mating cycles |
| 防护等级 IP Class | IP68 | — | — |
| — | — | — | — |

| 针数 Number of Pins | | 03 Pin | 04 Pin | 05 Pin |
|--------------------|-------------------|----------------------------|------------------------------|--|
| 编码 Coding | 编码 Coded | A-Coded | A-Coded | A-Coded |
| | 正面图 Front View | | | |
| 额定电流 Rated current | A. | 13A | 13A | 9A |
| 额定电压 Rated voltage | V. | 300V | 300V | 300V |
| 电线电缆 Wire/Cable | 线规 Wire gauge | 16AWG | 16AWG | 16AWG |
| | 横截面 Cross section | 1.5mm ² | 1.5mm ² | 1.5mm ² |
| | 接线表 Wiring list | PE,GN,YE 2.BN 3.BU | 1.BK 2.BU 3.BN 4.WH | 1.BK 2.BU PE,GN,YE 4.BN 5.WH |
| 描述 Description | 订单号 Order NO . | 订单号 Order NO . | 订单号 Order NO . | |
| PVC | 1m | PM-MC-03P-MM-SR8A01-00A(H) | PM-MC-04P-MM-SR8A01-00A(H) | PM-MC-05P-MM-SR8A01-00A(H) |
| | 3m | PM-MC-03P-MM-SR8A03-00A(H) | PM-MC-04P-MM-SR8A03-00A(H) | PM-MC-05P-MM-SR8A03-00A(H) |
| | 5m | PM-MC-03P-MM-SR8A05-00A(H) | PM-MC-04P-MM-SR8A05-00A(H) | PM-MC-05P-MM-SR8A05-00A(H) |
| | 定制化 Customized | | | |
| PUR | 1m | PM-MC-03P-MM-SR8B01-00A(H) | PM-MC-04P-MM-SR8B01-00A(H) | PM-MC-05P-MM-SR8B01-00A(H) |
| | 3m | PM-MC-03P-MM-SR8B03-00A(H) | PM-MC-04P-MM-SR8B03-00A(H) | PM-MC-05P-MM-SR8B03-00A(H) |
| | 5m | PM-MC-03P-MM-SR8B05-00A(H) | PM-MC-04P-MM-SR8B05-00A(H) | PM-MC-05P-MM-SR8B05-00A(H) |
| | 定制化 Customized | | | |

7/8" 针式成型电缆插头，单端，屏蔽，直头。

7/8" Male Overmolded with Cable Plug, Single end, Shielded, Straight.



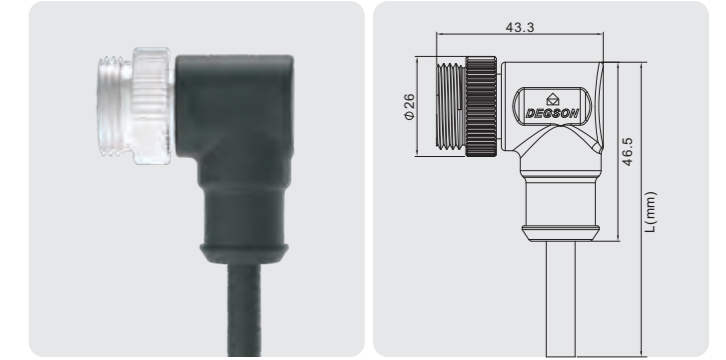
技术数据 Technical Data

| | | | |
|----------------------------|---------------------|----------------------------------|---------------------------------|
| 系列 Series | 7-8" Male, Straight | 端子载体材料 Contact carriers material | PA |
| Pin针数量 Number of Pins | 03,04,05 Pin | 端子材料 Contact material | Copper Alloy, Gold-plated |
| 额定电流 Rated Current | 13A max. | 金属螺母 Metal of nut | Copper Alloy with Nickel Plated |
| 额定电压 Rated voltage | 300V max. | 胶圈 Seal | Silicone |
| 绝缘电阻 Insulation resistance | ≥100MΩ | 电缆外皮材料 Cable jacket material | PUR / PVC |
| 接触电阻 Contact resistance | ≤5mΩ | 屏蔽 Shielding | Shielded |
| 运行温度 Ambient temperature | - 25 ~ + 80°C | 机械寿命 Mechanical life | > 100 mating cycles |
| 防护等级 IP Class | IP68 | — | — |
| — | — | — | — |

| 针数 Number of Pins | | 03 Pin | 04 Pin | 05 Pin |
|--------------------|-------------------|------------------------------|------------------------------|--|
| 编码 Coding | 编码 Coded | A-Coded | A-Coded | A-Coded |
| | 正面图 Front View | | | |
| 额定电流 Rated current | A. | 13A | 13A | 9A |
| 额定电压 Rated voltage | V. | 300V | 300V | 300V |
| 电线电缆 Wire/Cable | 线规 Wire gauge | 16AWG | 16AWG | 16AWG |
| | 横截面 Cross section | 1.5mm ² | 1.5mm ² | 1.5mm ² |
| | 接线表 Wiring list | PE,GN,YE 2.BN 3.BU | 1.BK 2.BU 3.BN 4.WH | 1.BK 2.BU PE,GN,YE 4.BN 5.WH |
| 描述 Description | 订单号 Order NO. | 订单号 Order NO. | 订单号 Order NO. | |
| PVC | 1m | PMSH-MC-03P-MM-SL8A01-00A(H) | PMSH-MC-04P-MM-SL8A01-00A(H) | PMSH-MC-05P-MM-SL8A01-00A(H) |
| | 3m | PMSH-MC-03P-MM-SL8A03-00A(H) | PMSH-MC-04P-MM-SL8A03-00A(H) | PMSH-MC-05P-MM-SL8A03-00A(H) |
| | 5m | PMSH-MC-03P-MM-SL8A05-00A(H) | PMSH-MC-04P-MM-SL8A05-00A(H) | PMSH-MC-05P-MM-SL8A05-00A(H) |
| | 定制化 Customized | | | |
| PUR | 1m | PMSH-MC-03P-MM-SL8B01-00A(H) | PMSH-MC-04P-MM-SL8B01-00A(H) | PMSH-MC-05P-MM-SL8B01-00A(H) |
| | 3m | PMSH-MC-03P-MM-SL8B03-00A(H) | PMSH-MC-04P-MM-SL8B03-00A(H) | PMSH-MC-05P-MM-SL8B03-00A(H) |
| | 5m | PMSH-MC-03P-MM-SL8B05-00A(H) | PMSH-MC-04P-MM-SL8B05-00A(H) | PMSH-MC-05P-MM-SL8B05-00A(H) |
| | 定制化 Customized | | | |

7/8" 针式成型电缆插头，单端，屏蔽，弯头。

7/8" Male Overmolded with Cable Plug, Single end, Shielded, Angled.



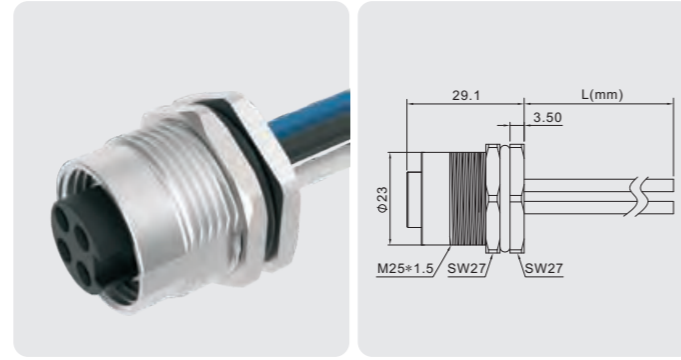
技术数据 Technical Data

| | | | |
|----------------------------|-------------------|----------------------------------|---------------------------------|
| 系列 Series | 7-8" Male, Angled | 端子载体材料 Contact carriers material | PA |
| Pin针数量 Number of Pins | 03,04,05 Pin | 端子材料 Contact material | Copper Alloy, Gold-plated |
| 额定电流 Rated Current | 13A max. | 金属螺母 Metal of nut | Copper Alloy with Nickel Plated |
| 额定电压 Rated voltage | 300V max. | 胶圈 Seal | Silicone |
| 绝缘电阻 Insulation resistance | ≥100MΩ | 电缆外皮材料 Cable jacket material | PUR / PVC |
| 接触电阻 Contact resistance | ≤5mΩ | 屏蔽 Shielding | Shielded |
| 运行温度 Ambient temperature | - 25 ~ + 80°C | 机械寿命 Mechanical life | > 100 mating cycles |
| 防护等级 IP Class | IP68 | — | — |
| — | — | — | — |

| 针数 Number of Pins | | 03 Pin | 04 Pin | 05 Pin |
|--------------------|-------------------|------------------------------|------------------------------|--|
| 编码 Coding | 编码 Coded | A-Coded | A-Coded | A-Coded |
| | 正面图 Front View | | | |
| 额定电流 Rated current | A. | 13A | 13A | 9A |
| 额定电压 Rated voltage | V. | 300V | 300V | 300V |
| 电线电缆 Wire/Cable | 线规 Wire gauge | 16AWG | 16AWG | 16AWG |
| | 横截面 Cross section | 1.5mm ² | 1.5mm ² | 1.5mm ² |
| | 接线表 Wiring list | PE,GN,YE 2.BN 3.BU | 1.BK 2.BU 3.BN 4.WH | 1.BK 2.BU PE,GN,YE 4.BN 5.WH |
| 描述 Description | 订单号 Order NO. | 订单号 Order NO. | 订单号 Order NO. | |
| PVC | 1m | PMSH-MC-03P-MM-SR8A01-00A(H) | PMSH-MC-04P-MM-SR8A01-00A(H) | PMSH-MC-05P-MM-SR8A01-00A(H) |
| | 3m | PMSH-MC-03P-MM-SR8A03-00A(H) | PMSH-MC-04P-MM-SR8A03-00A(H) | PMSH-MC-05P-MM-SR8A03-00A(H) |
| | 5m | PMSH-MC-03P-MM-SR8A05-00A(H) | PMSH-MC-04P-MM-SR8A05-00A(H) | PMSH-MC-05P-MM-SR8A05-00A(H) |
| | 定制化 Customized | | | |
| PUR | 1m | PMSH-MC-03P-MM-SR8B01-00A(H) | PMSH-MC-04P-MM-SR8B01-00A(H) | PMSH-MC-05P-MM-SR8B01-00A(H) |
| | 3m | PMSH-MC-03P-MM-SR8B03-00A(H) | PMSH-MC-04P-MM-SR8B03-00A(H) | PMSH-MC-05P-MM-SR8B03-00A(H) |
| | 5m | PMSH-MC-03P-MM-SR8B05-00A(H) | PMSH-MC-04P-MM-SR8B05-00A(H) | PMSH-MC-05P-MM-SR8B05-00A(H) |
| | 定制化 Customized | | | |

7/8" 孔式面板安装插座，板后安装，带0.5m导线。

7/8" Female Panel Mount Receptacle, Rear Mounting, with 0.5m wires.



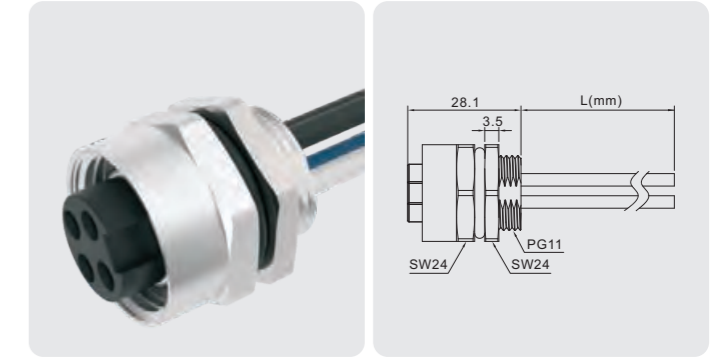
技术数据 Technical Data

| | | | |
|----------------------------|--------------|----------------------------------|---------------------------------|
| 系列 Series | 7-8" Female | 端子载体材料 Contact carriers material | PA |
| Pin针数量 Number of Pins | 03,04,05 Pin | 端子材料 Contact material | Copper Alloy, Gold-plated |
| 额定电流 Rated Current | 13A max. | 金属螺母 Metal of nut | Copper Alloy with Nickel Plated |
| 额定电压 Rated voltage | 300V max. | 胶圈 Seal | NBR |
| 绝缘电阻 Insulation resistance | ≥100MΩ | 电缆外皮材料 Cable jacket material | PUR / PVC |
| 接触电阻 Contact resistance | ≤5mΩ | 屏蔽 Shielding | Unshielded |
| 运行温度 Ambient temperature | -25 ~ +80°C | 机械寿命 Mechanical life | > 100 mating cycles |
| 防护等级 IP Class | IP68 | — | — |
| — | — | — | — |

| 针数 Number of Pins | | 03 Pin | 04 Pin | 05 Pin |
|--------------------|------------------------|-------------------------------------|-------------------------------------|--|
| 编码 Coding | 编码 Coded | A-Coded | A-Coded | A-Coded |
| | 正面图 Front View | | | |
| 额定电流 Rated current | A. | 13A | 13A | 9A |
| 额定电压 Rated voltage | V. | 300V | 300V | 300V |
| 电线/电缆 Wire/Cable | 线规 Wire gauge | 16AWG | 16AWG | 16AWG |
| | 横截面 Cross section | 1.5mm ² | 1.5mm ² | 1.5mm ² |
| | 接线表 Wiring list | PE,GN/YE 2.BN 3.BU | 1.BK 2.BU 3.BN 4.WH | 1.BK 2.BU PE,GN/YE 4.BN 5.WH |
| 描述 Description | 订单号 Order NO. | 订单号 Order NO. | 订单号 Order NO. | |
| M25*1.5 | 0.5m 定制化 Customized | SD-MC-03P-FF-SF8C50-00A(H) | SD-MC-04P-FF-SF8C50-00A(H) | SD-MC-05P-FF-SF8C50-00A(H) |

7/8" 孔式面板安装插座，板前安装，带0.5m导线。

7/8" Female Panel Mount Receptacle, Front Mounting, with 0.5m wires.



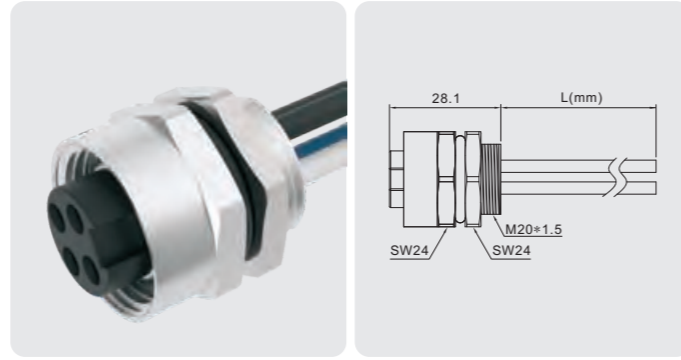
技术数据 Technical Data

| | | | |
|----------------------------|--------------|----------------------------------|---------------------------------|
| 系列 Series | 7-8" Female | 端子载体材料 Contact carriers material | PA |
| Pin针数量 Number of Pins | 03,04,05 Pin | 端子材料 Contact material | Copper Alloy, Gold-plated |
| 额定电流 Rated Current | 13A max. | 金属螺母 Metal of nut | Copper Alloy with Nickel Plated |
| 额定电压 Rated voltage | 300V max. | 胶圈 Seal | NBR |
| 绝缘电阻 Insulation resistance | ≥100MΩ | 电缆外皮材料 Cable jacket material | PUR / PVC |
| 接触电阻 Contact resistance | ≤5mΩ | 屏蔽 Shielding | Unshielded |
| 运行温度 Ambient temperature | -25 ~ +80°C | 机械寿命 Mechanical life | > 100 mating cycles |
| 防护等级 IP Class | IP68 | — | — |
| — | — | — | — |

| 针数 Number of Pins | | 03 Pin | 04 Pin | 05 Pin |
|--------------------|------------------------|-------------------------------------|-------------------------------------|--|
| 编码 Coding | 编码 Coded | A-Coded | A-Coded | A-Coded |
| | 正面图 Front View | | | |
| 额定电流 Rated current | A. | 13A | 13A | 9A |
| 额定电压 Rated voltage | V. | 300V | 300V | 300V |
| 电线/电缆 Wire/Cable | 线规 Wire gauge | 16AWG | 16AWG | 16AWG |
| | 横截面 Cross section | 1.5mm ² | 1.5mm ² | 1.5mm ² |
| | 接线表 Wiring list | PE,GN/YE 2.BN 3.BU | 1.BK 2.BU 3.BN 4.WH | 1.BK 2.BU PE,GN/YE 4.BN 5.WH |
| 描述 Description | 订单号 Order NO. | 订单号 Order NO. | 订单号 Order NO. | |
| PG11 | 0.5m 定制化 Customized | SD-MC-03P-FF-SH8A50-00A(H) | SD-MC-04P-FF-SH8A50-00A(H) | SD-MC-05P-FF-SH8A50-00A(H) |

7/8" 孔式面板安装插座, 板前安装, 带0.5m导线。

7/8" Female Panel Mount Receptacle, Front Mounting, with 0.5m wires.



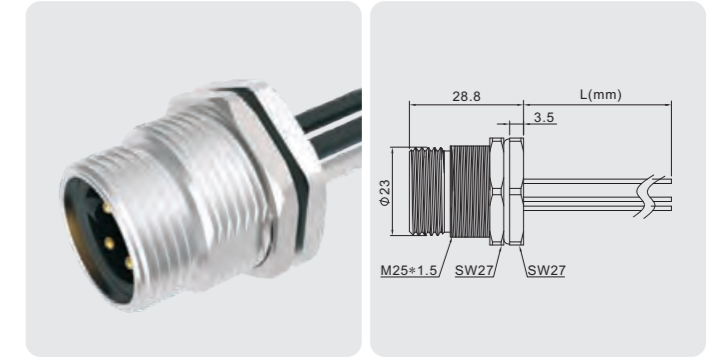
技术数据 Technical Data

| | | | |
|----------------------------|--------------|----------------------------------|---------------------------------|
| 系列 Series | 7-8" Female | 端子载体材料 Contact carriers material | PA |
| Pin针数量 Number of Pins | 03,04,05 Pin | 端子材料 Contact material | Copper Alloy, Gold-plated |
| 额定电流 Rated Current | 13A max. | 金属螺母 Metal of nut | Copper Alloy with Nickel Plated |
| 额定电压 Rated voltage | 300V max. | 胶圈 Seal | NBR |
| 绝缘电阻 Insulation resistance | ≥100MΩ | 电缆外皮材料 Cable jacket material | PUR / PVC |
| 接触电阻 Contact resistance | ≤5mΩ | 屏蔽 Shielding | Unshielded |
| 运行温度 Ambient temperature | -25 ~ +80°C | 机械寿命 Mechanical life | > 100 mating cycles |
| 防护等级 IP Class | IP68 | — | — |
| — | — | — | — |

| 针数 Number of Pins | | 03 Pin | 04 Pin | 05 Pin |
|--------------------|------------------------|-------------------------------------|-------------------------------------|--|
| 编码 Coding | 编码 Coded | A-Coded | A-Coded | A-Coded |
| | 正面图 Front View | | | |
| 额定电流 Rated current | A. | 13A | 13A | 9A |
| 额定电压 Rated voltage | V. | 300V | 300V | 300V |
| 电线/电缆 Wire/Cable | 线规 Wire gauge | 16AWG | 16AWG | 16AWG |
| | 横截面 Cross section | 1.5mm ² | 1.5mm ² | 1.5mm ² |
| | 接线表 Wiring list | PE,GN/YE 2.BN 3.BU | 1.BK 2.BU 3.BN 4.WH | 1.BK 2.BU PE,GN/YE 4.BN 5.WH |
| 描述 Description | 订单号 Order NO. | 订单号 Order NO. | 订单号 Order NO. | |
| M20*1.5 | 0.5m 定制化 Customized | SD-MC-03P-FF-SH8B50-00A(H) | SD-MC-04P-FF-SH8B50-00A(H) | SD-MC-05P-FF-SH8B50-00A(H) |

7/8" 针式面板安装插座, 板后安装, 带0.5m导线。

7/8" Male Panel Mount Receptacle, Rear Mounting, with 0.5m wires.



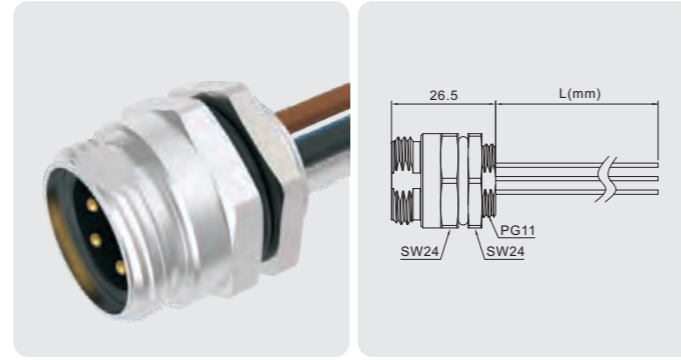
技术数据 Technical Data

| | | | |
|----------------------------|--------------|----------------------------------|---------------------------------|
| 系列 Series | 7-8" Male | 端子载体材料 Contact carriers material | PA |
| Pin针数量 Number of Pins | 03,04,05 Pin | 端子材料 Contact material | Copper Alloy, Gold-plated |
| 额定电流 Rated Current | 13A max. | 金属螺母 Metal of nut | Copper Alloy with Nickel Plated |
| 额定电压 Rated voltage | 300V max. | 胶圈 Seal | NBR |
| 绝缘电阻 Insulation resistance | ≥100MΩ | 电缆外皮材料 Cable jacket material | PUR / PVC |
| 接触电阻 Contact resistance | ≤5mΩ | 屏蔽 Shielding | Unshielded |
| 运行温度 Ambient temperature | -25 ~ +80°C | 机械寿命 Mechanical life | > 100 mating cycles |
| 防护等级 IP Class | IP68 | — | — |
| — | — | — | — |

| 针数 Number of Pins | | 03 Pin | 04 Pin | 05 Pin |
|--------------------|------------------------|-------------------------------------|-------------------------------------|--|
| 编码 Coding | 编码 Coded | A-Coded | A-Coded | A-Coded |
| | 正面图 Front View | | | |
| 额定电流 Rated current | A. | 13A | 13A | 9A |
| 额定电压 Rated voltage | V. | 300V | 300V | 300V |
| 电线/电缆 Wire/Cable | 线规 Wire gauge | 16AWG | 16AWG | 16AWG |
| | 横截面 Cross section | 1.5mm ² | 1.5mm ² | 1.5mm ² |
| | 接线表 Wiring list | PE,GN/YE 2.BN 3.BU | 1.BK 2.BU 3.BN 4.WH | 1.BK 2.BU PE,GN/YE 4.BN 5.WH |
| 描述 Description | 订单号 Order NO. | 订单号 Order NO. | 订单号 Order NO. | |
| M25*1.5 | 0.5m 定制化 Customized | SD-MC-03P-MM-SF8C50-00A(H) | SD-MC-04P-MM-SF8C50-00A(H) | SD-MC-05P-MM-SF8C50-00A(H) |

7/8" 针式面板安装插座，板前安装，带0.5m导线。

7/8" Male Panel Mount Receptacle, Front Mounting, with 0.5m wires.



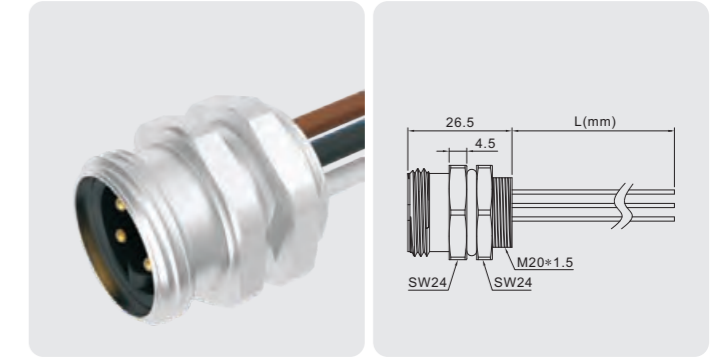
技术数据 Technical Data

| | | | |
|----------------------------|--------------|----------------------------------|---------------------------------|
| 系列 Series | 7-8" Male | 端子载体材料 Contact carriers material | PA |
| Pin针数量 Number of Pins | 03,04,05 Pin | 端子材料 Contact material | Copper Alloy, Gold-plated |
| 额定电流 Rated Current | 13A max. | 金属螺母 Metal of nut | Copper Alloy with Nickel Plated |
| 额定电压 Rated voltage | 300V max. | 胶圈 Seal | NBR |
| 绝缘电阻 Insulation resistance | ≥100MΩ | 电缆外皮材料 Cable jacket material | PUR / PVC |
| 接触电阻 Contact resistance | ≤5mΩ | 屏蔽 Shielding | Unshielded |
| 运行温度 Ambient temperature | -25 ~ +80°C | 机械寿命 Mechanical life | > 100 mating cycles |
| 防护等级 IP Class | IP68 | — | — |
| — | — | — | — |

| 针数 Number of Pins | | 03 Pin | 04 Pin | 05 Pin |
|--------------------|------------------------|-------------------------------------|-------------------------------------|--|
| 编码 Coding | 编码 Coded | A-Coded | A-Coded | A-Coded |
| | 正面图 Front View | | | |
| 额定电流 Rated current | A. | 13A | 13A | 9A |
| 额定电压 Rated voltage | V. | 300V | 300V | 300V |
| 电线/电缆 Wire/Cable | 线规 Wire gauge | 16AWG | 16AWG | 16AWG |
| | 横截面 Cross section | 1.5mm ² | 1.5mm ² | 1.5mm ² |
| | 接线表 Wiring list | PE,GN/YE 2.BN 3.BU | 1.BK 2.BU 3.BN 4.WH | 1.BK 2.BU PE,GN/YE 4.BN 5.WH |
| 描述 Description | 订单号 Order NO. | 订单号 Order NO. | 订单号 Order NO. | |
| PG11 | 0.5m 定制化 Customized | SD-MC-03P-MM-SH8A50-00A(H) | SD-MC-04P-MM-SH8A50-00A(H) | SD-MC-05P-MM-SH8A50-00A(H) |

7/8" 针式面板安装插座，板前安装，带0.5m导线。

7/8" Male Panel Mount Receptacle, Front Mounting, with 0.5m wires.



技术数据 Technical Data

| | | | |
|----------------------------|--------------|----------------------------------|---------------------------------|
| 系列 Series | 7-8" Male | 端子载体材料 Contact carriers material | PA |
| Pin针数量 Number of Pins | 03,04,05 Pin | 端子材料 Contact material | Copper Alloy, Gold-plated |
| 额定电流 Rated Current | 13A max. | 金属螺母 Metal of nut | Copper Alloy with Nickel Plated |
| 额定电压 Rated voltage | 300V max. | 胶圈 Seal | NBR |
| 绝缘电阻 Insulation resistance | ≥100MΩ | 电缆外皮材料 Cable jacket material | PUR / PVC |
| 接触电阻 Contact resistance | ≤5mΩ | 屏蔽 Shielding | Unshielded |
| 运行温度 Ambient temperature | -25 ~ +80°C | 机械寿命 Mechanical life | > 100 mating cycles |
| 防护等级 IP Class | IP68 | — | — |
| — | — | — | — |

| 针数 Number of Pins | | 03 Pin | 04 Pin | 05 Pin |
|--------------------|------------------------|-------------------------------------|-------------------------------------|--|
| 编码 Coding | 编码 Coded | A-Coded | A-Coded | A-Coded |
| | 正面图 Front View | | | |
| 额定电流 Rated current | A. | 13A | 13A | 9A |
| 额定电压 Rated voltage | V. | 300V | 300V | 300V |
| 电线/电缆 Wire/Cable | 线规 Wire gauge | 16AWG | 16AWG | 16AWG |
| | 横截面 Cross section | 1.5mm ² | 1.5mm ² | 1.5mm ² |
| | 接线表 Wiring list | PE,GN/YE 2.BN 3.BU | 1.BK 2.BU 3.BN 4.WH | 1.BK 2.BU PE,GN/YE 4.BN 5.WH |
| 描述 Description | 订单号 Order NO. | 订单号 Order NO. | 订单号 Order NO. | |
| M20*1.5 | 0.5m 定制化 Customized | SD-MC-03P-MM-SH8B50-00A(H) | SD-MC-04P-MM-SH8B50-00A(H) | SD-MC-05P-MM-SH8B50-00A(H) |



优势/特点

- 伺服电机专用连接器。
- 高防水等级 Ip67。
- 适用于高温高频振动环境。
- 组装快捷方便，可选自带接地功能。
- 伺服电机升级换代新型连接方案。

Advantages / Features

- Special connector for servo motor.
- High waterproof class Ip67.
- Suitable for high temperature and high frequency vibration environments.
- Quick and easy to assemble, selfcontained grounding function can be freely choosed.
- The servo motor is upgraded to replace.

2芯伺服连接器

2 Pin Servo connector.

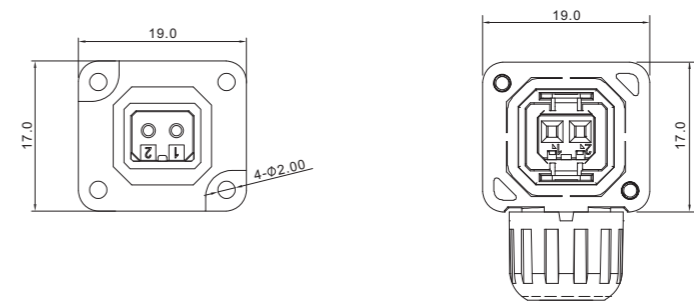


技术数据 Technical Data

| | | | |
|-------------------------------|--------------------------|-------------------------------------|---------------------------|
| 系列 Series | 伺服连接器 Servo connector | 端子载体材料 Contact carriers material | PA , PBT |
| Pin针数量 Number of Pins | 2 Pin | 端子材料 Contact material | Copper Alloy, Gold-plated |
| 额定电流 Rated Current | 7A | 胶圈 Seal | Silicone |
| 额定电压 Rated voltage | 250V | 机械寿命 Mechanical life | > 100 mating cycles |
| 绝缘电阻 Insulation resistance | > 100MΩ | | — |
| 接触电阻 Contact resistance | ≤5mΩ | | — |
| 运行温度 Ambient temperature | - 20 ~ + 105°C | | — |
| 防护等级 IP Class | IP67 | | — |

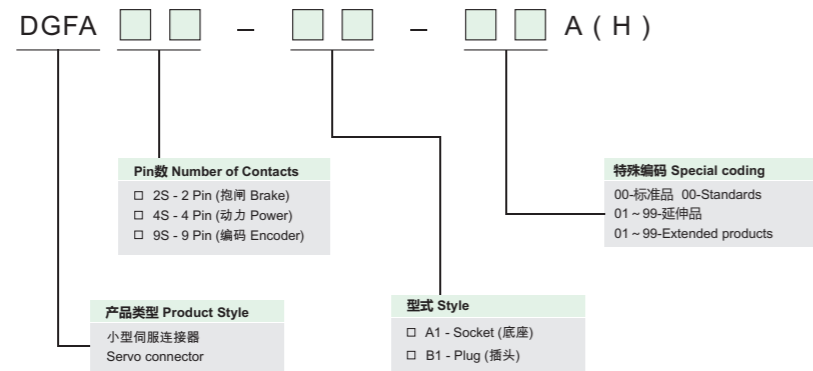
| 订单号 Order NO . | DGFA2S-A1-00A(H) | DGFA2S-B1-00A(H) | DGFA-00A(H) |
|-------------------|------------------|------------------|-------------|
| 正面图 Front View | | | |

尺寸图 Dimension Figure



伺服连接器编码规则 Servo Connector Part Number

1.1 伺服连接器成品名编码规则 Servo Connector Part Number Reference



1.2 伺服连接器系列冷压触头品名编码规则 Servo Connector Crimp contact Part Number Reference



例如：

1. DGFA2S-A1-00A(H)

表示：2 Pin(抱闸)伺服连接器底座

2. 去掉“-”、“小数点”、“()”、“空格”即为成品料号，即为成品料号，如：DGFA2S-A1-00A(H)；DGFA2SA100AH

注：伺服连接器所有规格防水默认为IP67

For example:

1. DGFA2S-A1-00A(H)

Details: 2 Pin(Brake) Servo connector socket .

2. Delete “-”, “decimal point”, “()”, “space”, then it 's the finish product number, such as: PMM12A05PFFSL8A0100AH.

Servo connector all specifications waterproof rating defaults to IP67.

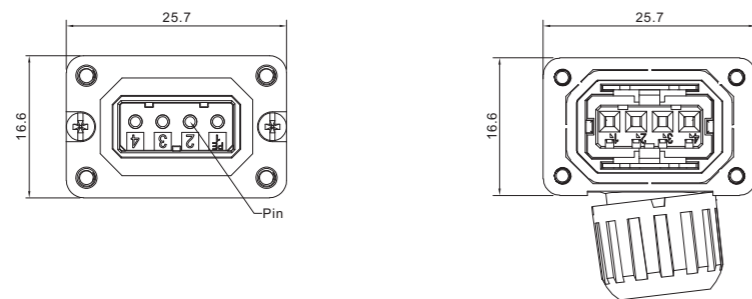
4芯伺服连接器

4 Pin Servo connector.


技术数据 Technical Data

| | | | |
|-------------------------------|--------------------------|-------------------------------------|---------------------------|
| 系列 Series | 伺服连接器 Servo connector | 端子载体材料 Contact carriers material | PA, PBT |
| Pin针数量 Number of Pins | 4 Pin | 端子材料 Contact material | Copper Alloy, Gold-plated |
| 额定电流 Rated Current | 7A | 胶圈 Seal | Silicone |
| 额定电压 Rated voltage | 250V | 机械寿命 Mechanical life | > 100 mating cycles |
| 绝缘电阻 Insulation resistance | > 100MΩ | | — |
| 接触电阻 Contact resistance | ≤5mΩ | | — |
| 运行温度 Ambient temperature | - 20 ~ + 105°C | | — |
| 防护等级 IP Class | IP67 | | — |

| 订单号 Order NO. | DGFA4S-A2-00A(H) | DGFA4S-B1-00A(H) | DGFA-00A(H) |
|-------------------|------------------|------------------|-------------|
| 正面图 Front View | | | |

尺寸图 Dimension Figure


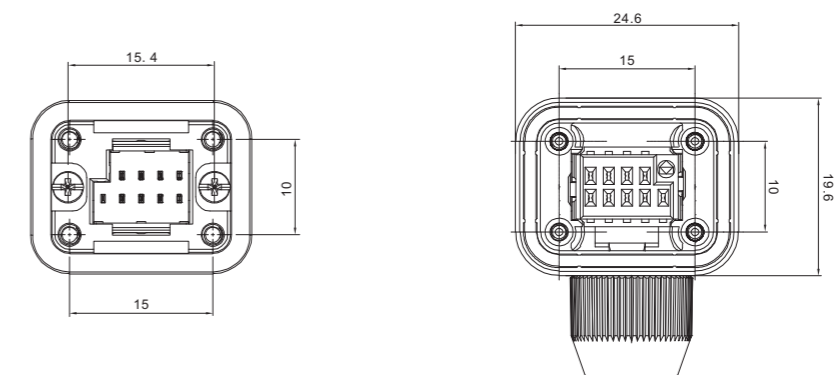
9芯伺服连接器

9 Pin Servo connector.


技术数据 Technical Data

| | | | |
|-------------------------------|--------------------------|-------------------------------------|---------------------------|
| 系列 Series | 伺服连接器 Servo connector | 端子载体材料 Contact carriers material | PA |
| Pin针数量 Number of Pins | 9 Pin | 端子材料 Contact material | Copper Alloy, Gold-plated |
| 额定电流 Rated Current | 1A | 胶圈 Seal | Silicone |
| 额定电压 Rated voltage | 10V | 机械寿命 Mechanical life | > 100 mating cycles |
| 绝缘电阻 Insulation resistance | > 100MΩ | | — |
| 接触电阻 Contact resistance | ≤5mΩ | | — |
| 运行温度 Ambient temperature | - 20 ~ + 105°C | | — |
| 防护等级 IP Class | IP67 | | — |

| 订单号 Order NO. | DGFA9S-A1-00A(H) | DGFA-01A(H) | DGFA9S-B1-00A(H) | DGFA-02A(H) |
|-------------------|------------------|-------------|------------------|-------------|
| 正面图 Front View | | | | |

尺寸图 Dimension Figure




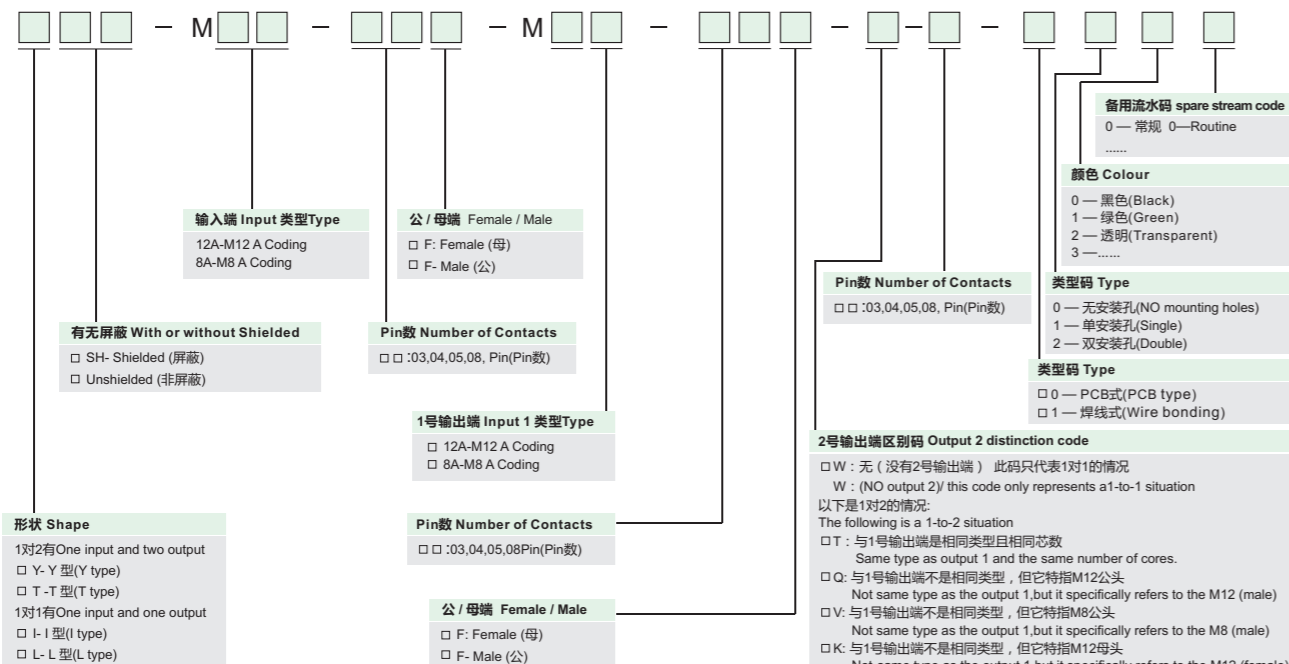
优势 / 特点

- 单线输入，多线输出。
- 节约成本，安装便捷。
- 防水等级：IP67/684。
- 广泛应用于工业自动化，轨道交通等行业。

Advantages / Features

- Single-line input, multi-line output.
- Cost saving, easy installation.
- Waterproof rating: IP67/684.
- Widely used in industrial automation, rail transit and other industries.

M12, M8分配器产品编码规则 The coding rule of M12, M, 18 distributor



例如:

1. FY-M12A-05M-M12A-05F-Q4-0100 表示: 非屏蔽Y型分配器, 输入端为: M12A-05M, 1号输出端为: M12A-05F, 2号输出端则是: M12A-04M 01AH: 内部连接方式为: PCB式, 有一个安装孔, 颜色: 黑色。
常规的2: FY-M12A-04M-M8A-04F-T-1000 表示: 非屏蔽Y型分配器, 输入端为: M12A-04M, 1号输出端为: M8A-04F, 2号输出端则是: M8A-04F 10AH: 内部连接方式为: 焊线式, 无安装孔, 颜色: 黑色。
FT-M8A-04M-M8A-03F-S4-0110(常规) 表示: 非屏蔽T型分配器, 输入端为: M8A-04M, 1号输出端为: M8A-03F, 2号输出端则是: M8A-04F 01BH: 内部连接方式为: PCB式, 单安装孔, 颜色: 绿色。

For example:

1. FY-M12A-05M-M12A-05F-Q4-0100
Detail: unshielded Y-type distributor, input is M12A-05M Input 1 is M12A-05F, input 2 is M12A-04M
01AH: internal connection: PCB type, with a mounting hole Color: black
Regular2: FY-M12A-04M-M8A-04F-T-1000
Detail: unshielded Y-type distributor, input is M12A-04M Output 1 is M8A-04F, output 2 is M8A-04F
10AH: internal connection: wire bonding, no mounting holes Color: black
Regular3: FT-M8A-04M-M8A-03F-S4-0110
Detail: unshielded T-type distributor input is M8A-04M Input 1 is M8A-03F, input 2 is M8A-04F
01BH: internal connection: PCB type, single mounting hole Color: green.

M12 T型分配器, M12 A编码 母头X1,
M12 A编码 公头/母头X1。

M12 T-type distributor, M12 A code Female X1
M12 A code Male/Female X1.

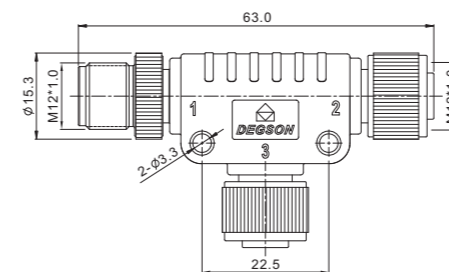


技术数据 Technical Data

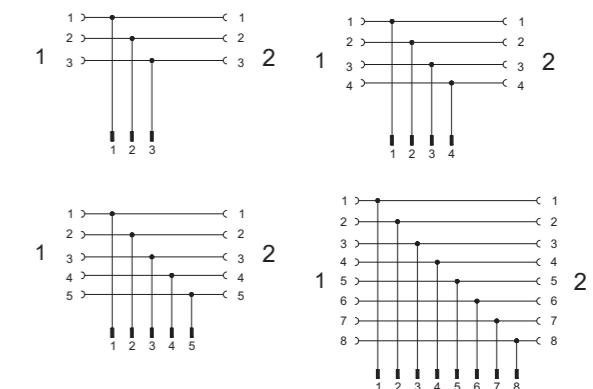
| | | | |
|----------------------------|-----------------|----------------------------------|-------------------------------|
| 标准 Standard | IEC 61076 | 端子载体材料 Contact carriers material | PU |
| 系列 Series | M12 | 端子材料 Contact material | Copper Alloy, Gold-plated |
| Pin针数量 Number of Pins | 03,04,05,08 Pin | 金属螺母 Metal of nut | Zinc Alloy with Nickel Plated |
| 额定电流 Rated Current | 4A max. | 胶圈 Seal | Silicone |
| 额定电压 Rated voltage | 250V max. | 屏蔽 Shielding | Unshielded |
| 绝缘电阻 Insulation resistance | ≥100MΩ | 机械寿命 Mechanical life | > 100 mating cycles |
| 接触电阻 Contact resistance | ≤5mΩ | — | — |
| 运行温度 Ambient temperature | - 25 ~ + 80°C | — | — |
| 防护等级 IP Class | IP68 | — | — |

| 针数 Number of Pins | | 03 Pin | 04 Pin | 05 Pin | 08 Pin |
|--------------------|----------------|------------------------------|------------------------------|------------------------------|------------------------------|
| 编码 Coding | 编码 Coded | A-Coded | A-Coded | A-Coded | A-Coded |
| | 正面图 Front View | | | | |
| 额定电流 Rated current | A. | 4A | 4A | 4A | 2A |
| 额定电压 Rated voltage | V. | 250V | 250V | 60V | 30V |
| 描述 Description | — | 订单号 Order NO. | | 订单号 Order NO. | 订单号 Order NO. |
| — | — | FT-M12A-03F-M12A-03M-K5-0200 | FT-M12A-04F-M12A-04M-K5-0200 | FT-M12A-05F-M12A-05M-K5-0200 | FT-M12A-08F-M12A-08M-K5-0200 |

外形尺寸 Size



电路图 Circuit schematic



M12 T型分配器, M12 A编码 公头X1,
M12 A编码 母头X2

M12 T-type distributor, M12 A code MaleX1
M12 A code FemaleX2.

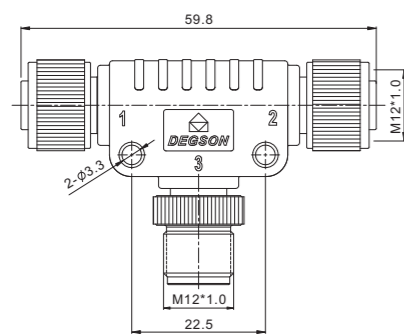


技术数据 Technical Data

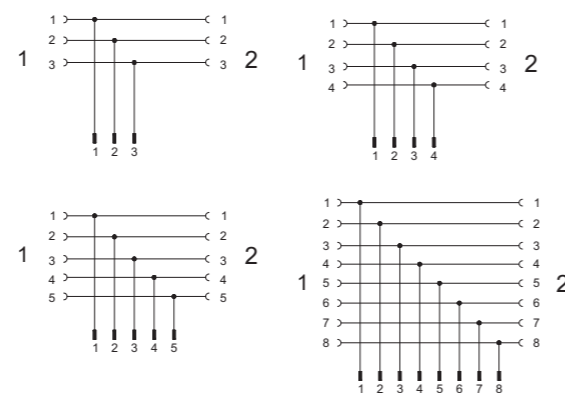
| | | | |
|-------------------------------|-----------------|-------------------------------------|-------------------------------|
| 标准 Standard | IEC 61076 | 端子载体材料 Contact carriers material | PU |
| 系列 Series | M12, Male | 端子材料 Contact material | Copper Alloy, Gold-plated |
| Pin针数量 Number of Pins | 03,04,05,08 Pin | 金属螺母 Metal of nut | Zinc Alloy with Nickel Plated |
| 额定电流 Rated Current | 4A max. | 胶圈 Seal | Silicone |
| 额定电压 Rated voltage | 250V max. | 屏蔽 Shielding | Unshielded |
| 绝缘电阻 Insulation resistance | ≥100MΩ | 机械寿命 Mechanical life | > 100 mating cycles |
| 接触电阻 Contact resistance | ≤5mΩ | — | — |
| 运行温度 Ambient temperature | -25 ~ +80℃ | — | — |
| 防护等级 IP Class | IP68 | — | — |

| 针数 Number of Pins | | 03 Pin | 04 Pin | 05 Pin | 08 Pin |
|-----------------------|-------------------|-----------------------------|---------|-----------------------------|-----------------------------|
| 编码 Coding | 编码 Coded | A-Coded | A-Coded | A-Coded | A-Coded |
| | 正面图 Front View | | | | |
| 额定电流 Rated current | A. | 4A | | 4A | 2A |
| 额定电压 Rated voltage | V. | 250V | | 60V | 30V |
| 描述 Description | — | 订单号 Order NO . | | 订单号 Order NO . | 订单号 Order NO . |
| — | — | FT-M12A-03M-M12A-03F-Q-0200 | | FT-M12A-04M-M12A-04F-Q-0200 | FT-M12A-05M-M12A-05F-Q-0200 |

外形尺寸 Size



电路图 Circuit schematic



M12 Y型分配器, M12 A编码 母头X1,
M12 A编码 公头X2

M12 T-type distributor, M12 A code FemaleX1
M12 A code MaleX2.

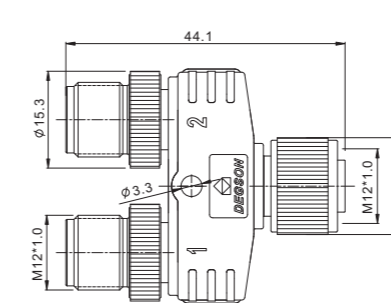


技术数据 Technical Data

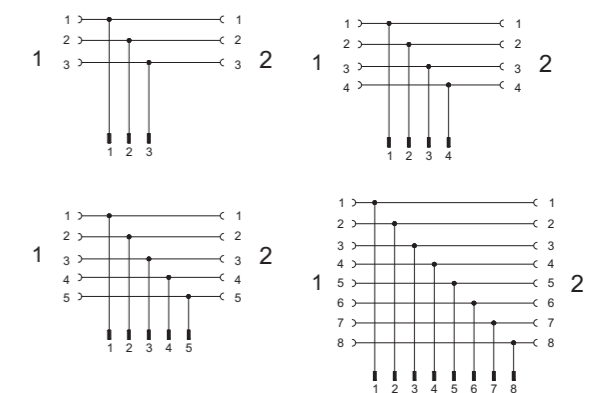
| | | | |
|-------------------------------|-----------------|-------------------------------------|-------------------------------|
| 标准 Standard | IEC 61076 | 端子载体材料 Contact carriers material | PU |
| 系列 Series | M12 | 端子材料 Contact material | Copper Alloy, Gold-plated |
| Pin针数量 Number of Pins | 03,04,05,08 Pin | 金属螺母 Metal of nut | Zinc Alloy with Nickel Plated |
| 额定电流 Rated Current | 4A max. | 胶圈 Seal | Silicone |
| 额定电压 Rated voltage | 250V max. | 屏蔽 Shielding | Unshielded |
| 绝缘电阻 Insulation resistance | ≥100MΩ | 机械寿命 Mechanical life | > 100 mating cycles |
| 接触电阻 Contact resistance | ≤5mΩ | — | — |
| 运行温度 Ambient temperature | -25 ~ +80℃ | — | — |
| 防护等级 IP Class | IP68 | — | — |

| 针数 Number of Pins | | 03 Pin | 04 Pin | 05 Pin | 08 Pin |
|-----------------------|-------------------|-----------------------------|---------|-----------------------------|-----------------------------|
| 编码 Coding | 编码 Coded | A-Coded | A-Coded | A-Coded | A-Coded |
| | 正面图 Front View | | | | |
| 额定电流 Rated current | A. | 4A | | 4A | 2A |
| 额定电压 Rated voltage | V. | 250V | | 60V | 30V |
| 描述 Description | — | 订单号 Order NO . | | 订单号 Order NO . | 订单号 Order NO . |
| — | — | FY-M12A-03F-M12A-03M-T-0100 | | FY-M12A-04F-M12A-04M-T-0100 | FY-M12A-05F-M12A-05M-T-0100 |

外形尺寸 Size



电路图 Circuit schematic



M12 Y型分配器, M12 A编码 公头X1,
M12 A编码 母头X2

M12 Y-type distributor, M12 A code MaleX1
M12 A code FemaleX2.

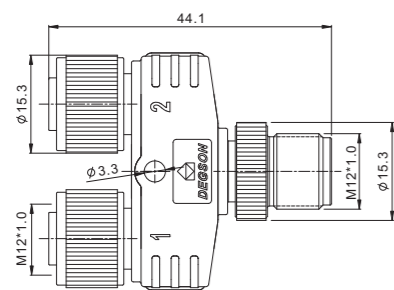


技术数据 Technical Data

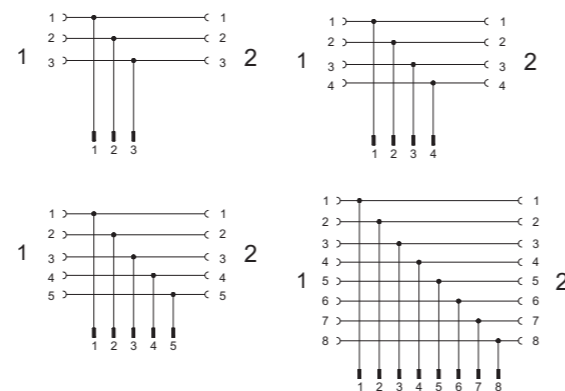
| | | | |
|-------------------------------|-----------------|-------------------------------------|-------------------------------|
| 标准 Standard | IEC 61076 | 端子载体材料 Contact carriers material | PU |
| 系列 Series | M12, Male | 端子材料 Contact material | Copper Alloy, Gold-plated |
| Pin针数量 Number of Pins | 03,04,05,08 Pin | 金属螺母 Metal of nut | Zinc Alloy with Nickel Plated |
| 额定电流 Rated Current | 4A max. | 胶圈 Seal | Silicone |
| 额定电压 Rated voltage | 250V max. | 屏蔽 Shielding | Unshielded |
| 绝缘电阻 Insulation resistance | ≥100MΩ | 机械寿命 Mechanical life | > 100 mating cycles |
| 接触电阻 Contact resistance | ≤5mΩ | — | — |
| 运行温度 Ambient temperature | -25 ~ +80℃ | — | — |
| 防护等级 IP Class | IP68 | — | — |

| 针数 Number of Pins | | 03 Pin | 04 Pin | 05 Pin | 08 Pin |
|-----------------------|-------------------|-----------------------------|--------|-----------------------------|-----------------------------|
| 编码 Coding | 编码 Coded | A-Coded | | A-Coded | |
| | 正面图 Front View | | | | |
| 额定电流 Rated current | A. | 4A | | 4A | 2A |
| 额定电压 Rated voltage | V. | 250V | | 60V | 30V |
| 描述 Description | — | 订单号 Order NO . | | 订单号 Order NO . | 订单号 Order NO . |
| — | — | FY-M12A-03F-M12A-03M-Q-0100 | | FY-M12A-04F-M12A-04M-Q-0100 | FY-M12A-05F-M12A-05M-Q-0100 |

外形尺寸 Size



电路图 Circuit schematic



M8 Y型分配器, M8 A编码 公头X1,
M8 A编码 母头X2

M8 Y-type distributor, M8 A code MaleX1
M8 A code FemaleX2.

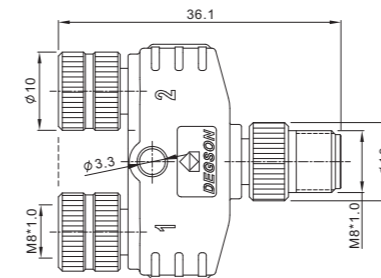


技术数据 Technical Data

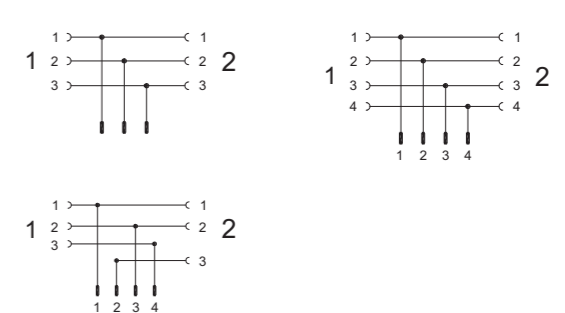
| | | | |
|-------------------------------|------------|-------------------------------------|---------------------------------|
| 标准 Standard | IEC 61076 | 端子载体材料 Contact carriers material | PU |
| 系列 Series | M8 | 端子材料 Contact material | Copper Alloy, Gold-plated |
| Pin针数量 Number of Pins | 03,04 Pin | 金属螺母 Metal of nut | Copper Alloy with Nickel Plated |
| 额定电流 Rated Current | 3A | 胶圈 Seal | Silicone |
| 额定电压 Rated voltage | 60V | 屏蔽 Shielding | Unshielded |
| 绝缘电阻 Insulation resistance | ≥100MΩ | 机械寿命 Mechanical life | > 100 mating cycles |
| 接触电阻 Contact resistance | ≤5mΩ | — | — |
| 运行温度 Ambient temperature | -25 ~ +80℃ | — | — |
| 防护等级 IP Class | IP68 | — | — |

| 针数 Number of Pins | | 03 Pin | 04 Pin | 03, 04 Pin | |
|-----------------------|-------------------|---------------------------|--------|---------------------------|--|
| 编码 Coding | 编码 Coded | A-Coded | | A-Coded | |
| | 正面图 Front View | | | | |
| 额定电流 Rated current | A. | 3A | | 3A | |
| 额定电压 Rated voltage | V. | 60V | | 60V | |
| 描述 Description | — | 订单号 Order NO . | | 订单号 Order NO . | |
| — | — | FY-M8A-03M-M8A-03F-T-0100 | | FY-M8A-04M-M8A-04F-T-0100 | |

外形尺寸 Size



电路图 Circuit schematic



应用领域

DEGSON高松连接器广泛用于机器人、工业自动化、数控设备、纺织机械、轨道交通、监控设备、能源、通讯等各种需要电力、数据和信号连接的设备中。

FIELD OF APPLICATION

DEGSON connectors are widely used in robot, industrial automation, CNC equipment, textile machinery, rail transit, monitor and control unit, energy, communicate and so on various equipments requiring electrical, data and signal connection.



环境政策

DEGSON® 认识到保护环境资源的重要性，并将其视为公司对社会应尽的义务，自觉满足产品的各项环保指标，为此我们制定以下环境战略方针：

- 1、满足客户需求，遵守国家和地方的法律、法规和其它环保要求。
- 2、环境保护为公司可持续发展的一项准则，坚持质量、效益和环保全面发展。
- 3、建立厂内废弃物管理，充分考虑在产品开发、生产、材料使用和废弃物处理等过程中可能影响环境的因素，提高企业内各场所的环境质量。
- 4、实施培训，全面提升全员的环境保护意识，实现环境管理体系和对环境保护能力的持续改进。
- 5、降耗节能，实现资源的充分利用。
- 6、向合作方及社会承诺为环境保护做出贡献。响应口号“人类只有一个地球”。
- 7、不断创新，开发新材料、新技术，制造节约型环保产品。

ENVIRONMENTAL POLICY

DEGSON realizes system regulation without lead in 2005 and has been granted ISO14001 in 2006. All the products conform to the European ROHS requirement.

DEGSON realizes the importance to protect environment resources, selfconsciously meets environment protection requirements for products and regards it as the responsibility.

Thus, we have made the following environment strategic policy :

- 1.To meet customers' demands and obey the national and local laws and regulations as well as other environmental protection requirements.
- 2.Take environmental protection as one criterion for continuing development of our company. Insist on fully development of quality, benefit and environmental protection.
- 3.Fully considering the factors which will influence the environment in the processes of product development, manufacturing, material usage and waste processing, establish management system of waste in order to improve the environment of our company.
- 4.To increase the employees' consciousness of environmental protection through training and to realize the continuing improvement of environment management system and the ability of environmental protection.
- 5.To make full use of resources and to decrease consumption of material in order to save energy.
- 6.To promise to our partners and society that we will make contribution to environment protection. There is only one Earth for our humanity.
- 7.To strive for making conservation-oriented and environment-friendly products through continuous innovation and developing new materials and technology.



交通技术
Transportation technology



数控设备
CNC equipment

轨道交通
Rail transit



工业自动化
Industrial automation



能源
Energy



机器人
Robot

监控设备
Monitor and control unit



通讯
Communicate

